

EXOcompact Eedo

Freely programmable room controller



EXOcompact Eedo is a 230 V AC freely programmable room controller. The controller provides built-in communication via EXOline, Modbus or BACnet for integration into EXOscada or other SCADA systems. It can be used either as a stand-alone unit or as part of a larger system. The controller connects seamlessly to the room units in Regin's ED-RU-... series.

- ✓ Three 230 V AC digital relay outputs
- ✓ Two 230 V AC digital triac outputs
- ✓ Several protocols available
- ✓ Small and compact
- ✓ Large selection of different room unit models

Application

The EXOcompact Eedo controller is the freely programmable version of our successful room controller Regio Eedo. It can be used either as a stand-alone unit or together with other EXO products as part of a larger automation system. It makes a perfect fit in offices, schools, shopping centres, airports, hotels, and hospitals where optimum comfort and reduced energy consumption is required.

High importance is placed on a freely programmable, compact controller providing both communication capabilities and high performance in room applications. All EXOcompact I/O modules can be used with this controller to the required size. In addition, up to 50 EFX I/Os can be added from units in the Add:io series.

Function

The controller has three 230 V AC digital relay outputs for 3-speed fan control as well as two 230 V AC digital triac outputs for heating and cooling control. This

together with the freely programmable environment gives you full flexibility for complex room applications.

The controller supports BACnet/IP, Modbus TCP/IP, and EXOline-TCP communication via the Ethernet port. Furthermore, the controller supports Modbus slave, EXOline master/slave, EFX master communication via the RS485 ports.

The controllers are fully compatible with other products in the EXO-range and are freely programmable in EXOdesigner, the same environment used for all other EXO controllers.

Installation

EXOcompact Eedo can be mounted onto a DIN-rail or, if using a mounting kit, in a front panel. The controller fits into a standard EURO norm cabinet.

When using the accessory kit for terminal protection, the controller can be installed on any wall or above the ceiling. The covers included in the kit ensure that the

HEAD OFFICE SWEDEN

Phone: +46 31 720 02 00

Web: www.regincontrols.com

E-mail: info@regincontrols.com

EXOcompact Eedo

cables and connections cannot be tampered with, thus making the installation both safe and discrete.

The controllers have a quick connection for installations requiring an external display. The maximum permitted cable length for an external display is 100 m.

An internal battery preserves the application variables and keeps the hardware clock running when it has no power. The battery is easy to replace. All controllers in this range work very well with Regin's sensors, transmitters and wireless range as well as other products with communication on the market.

Technical data

General data

Supply voltage	230 V ~ (207...253 V ~ 50/60 Hz)
Power consumption	11 VA
Protection class	IP20
Ambient humidity	Max. 95 % RH
Ambient temperature	0...50 °C
Storage temperature	-20...+70 °C
Operating system	EXOrealC
Battery backup	Memory and real-time clock, at least 5 years
Mounting	DIN-rail, cabinet or wall (with accessory)
Number of modules	8.5
Display	External (accessory)
Dimensions, external (WxHxD)	149 x 121 x 58 mm
Weight (incl. packaging)	0.37 kg

I/O data

Analogue input b (Alb)	0...10 V DC
Analogue input c (A1c)	PT1000
Digital input b (D1b)	Sourcing input type, GND is reference
Condensation input a (C1a)	Input dedicated for Regin's condensation detector KG-A/1
Analogue output a (AOa)	0...10 V DC, max. 5 mA, short-circuit protected
Digital output c (DOc)	Relay output 230 V AC, max. 3 A
Digital output d (DOd)	Triac output 230 V AC, max. 300 mA
Digital outputs, total max. current (fuse)	6.3 A (6.3 AT 5 x 20 mm)
Power output a (POa)	24 V DC, max. 50 mA

Com ports data

Communication ports	3
Serial ports	2
Ethernet ports	1

Serial ports data

Port type	RS485
Port number	1 and 2
Default protocol	EXOline slave
Supported protocols	Modbus slave / EXOline master / EXOline slave / EFX master
Port isolation	Yes (port 1), No (port 2)
Communication speed	9600 bps (1200...38400 bps)
Parity	Even (odd/even/no parity)
Stop bits	8 bits, 1 or 2 stop bits
Cable connection	Push-in connector or screw terminals

Ethernet port data

Port type	Ethernet
Default protocol	EXoline-TCP
Supported protocols	EXoline-TCP / BACnet/IP / Modbus TCP/IP
Cable connection	RJ45, 10Base-T/100Base-TX auto-negotiation
Cable length	Max. 100 m
Cabling	Cat 5

Material

Material, housing	Polycarbonate, PC
--------------------------	-------------------



This product carries the CE-mark. More information is available at www.regincontrols.com.

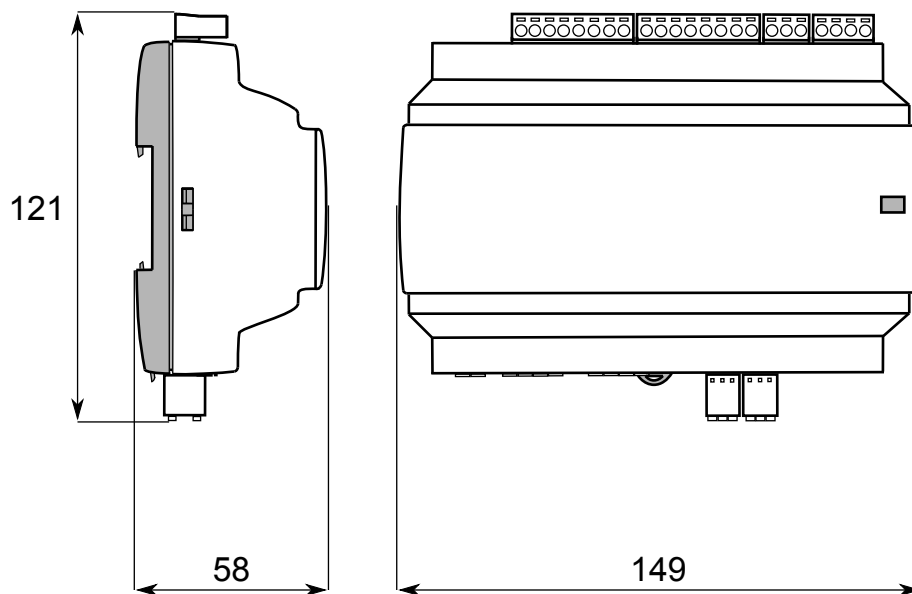
Models

Article	TCP/IP	RS485	Alb	Alc	Dlb	Cla	AOa	DOc	DOd	Total I/O:s
XCE163W-1	1	2	2	1	3	1	4	3	2	16

Accessories

Article	Description
BATTERY-4289	Replacement battery
FMCE	Front mounting kit for one controller
FMK2	Front mounting kit, 12 modules
PLTCE	Set of angled plug-in terminal blocks
E-CABLE2-USB	Cable for USB connection
CONVERTERTCP	Adapter
TP-AE	Terminal protection kit for Ardo and Eedo controllers
ED-T7	External touch screen display
E3-DSP	External display
EDSP-K3	3 m cable for connecting an external display
EDSP-K10	10 m cable for connecting an external display
EDSP-SPLIT	Cable splitter for connecting two display units to one controller

Dimensions



[mm]

Documentation

The product documentation can be downloaded from www.regincontrols.com. System customers can download additional documentation from our FTP server. Please contact Regin's sales department to get access.