



TRT5(D)-420

Temperature transmitters

Wall mounted room transmitters for measurement of temperature.

- ✓ Output signal 4...20 mA
- ✓ With or without display
- ✓ Good long-term stability
- ✓ Temperature range 0...50°C
- ✓ Easy installation

Function

The sensor is mounted in the cover-part of the casing. The cover is easy to detach from the back by means of snap-in grips and detachable terminals which makes mounting easy. Furthermore, no cables have to be disconnected, simplifying service and replacement.

The temperature sensor gives output signal 4...20 mA via the built-in electronics and has a working range of 0...50°C.

The transmitter uses a supply voltage of max. 28 V DC and min. $11 + (0.02 \times RL)$ V DC. It automatically detects and adapts to the supply voltage connected.

Appearance

The transmitter comes in a discreet white housing.

The display model (D) has a LCD display showing the temperature.

Installation

The transmitter should be mounted in a location with good air circulation where it can be expected to give a representative reading. It can be mounted on a wall box or directly on the wall.

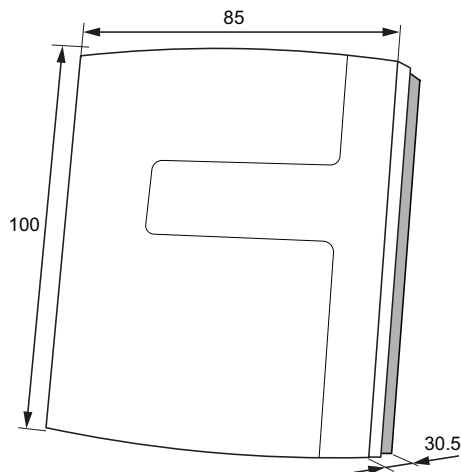
Technical data

Output signal	4...20 mA (2-wire) (T=0...50°C)
Supply voltage	Max 28 V DC, Min $11+(0.02 \times R_L)$ V DC
Power consumption	0.6 W
DC power supply	Min. 1 W
Temperature range	0...50°C
Accuracy, temperature	$\pm 0.5^\circ\text{C}$ at 20 °C
Protection class	IP30
Dimensions	100 x 85 x 30.5 mm
Colour	Signal white RAL 9003

CE

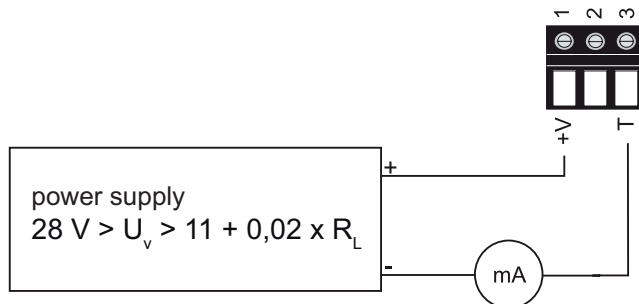
This product carries the CE mark. For more information, see www.regincontrols.com.

Dimensions



Measurements in mm

Wiring



Product documentation

The product documentation can be downloaded from www.regincontrols.com.