

TRT5(-D)

Temperature transmitters



Room transmitters for measuring temperature in indoor environments.

- ✓ Analogue output signal, 0...10 V
- ✓ Temperature, 0...50°C
- ✓ Good long-term stability

Application

Transmitters intended for wall mounting in HVAC systems.

Function

The sensor is mounted in the cover-part of the casing. The cover is easy to detach from the back by means of snap-in grips and detachable terminals. This makes mounting easier. Furthermore, no cables have to be disconnected, simplifying service and replacement.

Supply voltage

The transmitter uses a supply voltage of 24 V AC $\pm 10\%$ or 15...35 V DC. It automatically detects and adapts to the supply voltage connected.

Temperature sensor

The unit has a built-in temperature sensor, working range 0...50°C.

HEAD OFFICE SWEDEN

Phone: +46 31 720 02 00

Web: www.regincontrols.com

E-mail: info@regincontrols.com

TRT5(-D)

— 1 (3) —

Technical data

I General

Output signal	Analogue
Supply voltage (U_v)	24 V AC $\pm 10\%$ / 15...35 V DC
Power consumption	< 1 W
Transformer power	2 VA
Electrical connection	Screw terminals max. 1.5 mm ² (AWG 16)
Ambient temperature	0...50°C
Ambient humidity	10...90 % RH non-condensing
Storage temperature	-25...+60°C
Protection class	IP30
Dimensions (WxHxD)	85 x 100 x 30.5 mm

2 Temperature

Analogue output 0...50°C	0...10 V, I _L \leq 1 mA
Working range	0...50°C
Accuracy at 20°C	$\pm 0.4^\circ\text{C}$



This product carries the CE-mark. More information is available at www.regincontrols.com.

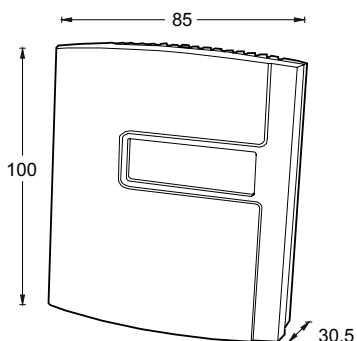
Material

Colour	Signal white RAL 9003
---------------	-----------------------

Models

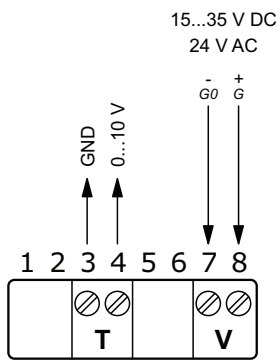
Article	Description
TRT5	Temperature transmitter
TRT5-D	Temperature transmitter with display

Dimensions



[mm]

Wiring



GND and G0 are internally connected.

Documentation

All documentation can be downloaded from www.regincontrols.com.