

# TRAF0150

Transformer, 150 VA, wall mounting



*Transformer with replaceable fuse. Overload and short-circuit proof.*

- ✓ 150 VA
- ✓ Wall mounting
- ✓ Short-circuit proof
- ✓ Replaceable fuses

## Application

TRAF0150 is used for power supply for control equipment and instrumentation, alarm systems, heating foil or heating cable, halogen lighting and other extra low voltage installations (SELV and PELV systems).

## Function

This is a single-phase compact protection transformer for industrial use. It has a low sound level and is protected from humidity, dust and vibrations. The transformer is cast in self-extinguishing polyurethane with plastic casing. It is double-insulated, short-circuit proof and with a fuse to prevent against overloads.

## Installation

This is a transformer for wall mounting. The casing has mounting-holes and easy accessed wiring terminals under the lid.

### HEAD OFFICE SWEDEN

Phone: +46 31 720 02 00

Web: [www.regincontrols.com](http://www.regincontrols.com)

E-mail: [info@regincontrols.com](mailto:info@regincontrols.com)

TRAF0150

— 1 (2) —

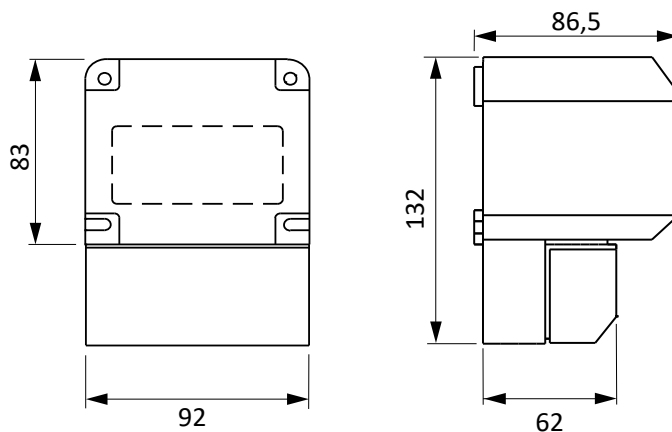
## Technical data

<b>Supply voltage</b>	230 V ~ (230 V ~ 50/60 Hz 150 VA)
<b>Output voltage</b>	24 V AC
<b>Max. load</b>	150 VA
<b>Mounting</b>	Wall
<b>Ambient temperature</b>	Max. 40 °C
<b>Protection class</b>	IP44
<b>Isolation class</b>	II
<b>Temperature class</b>	B
<b>Dimensions, external (WxHxD)</b>	92 x 132 x 86,5mm



This product carries the CE-mark. More information is available at [www.regincontrols.com](http://www.regincontrols.com).

## Dimensions



[mm]

[mm], unless otherwise specified

## Wiring

The terminals are easily accessed by removing the front lid.

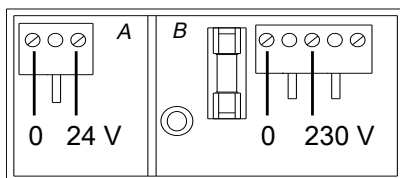


Fig. 1 A = Secondary (output voltage), B = Primary (supply voltage)

## Documentation

All documentation can be downloaded from [www.regincontrols.com](http://www.regincontrols.com).