



- Supply voltage 230 V AC
- Change-over contact for control of heating or cooling
- Contact rating 16 A, 250 V

TMI-P is an electronic room thermostat for wall mounting. The thermostat has a built-in temperature sensor and change-over relay output. The thermostat is intended for use with a 230V AC supply voltage.

External sensor

An external sensor from Regin NTC-series can be connected as an alternative to the intended sensor, if required. When an external sensor is used, the jumper for setting the sensor is set for this running mode (see overleaf).

Visit Regin's website www.regincontrols.com for a suitable sensor.

Setpoint

The setpoint is set by means of the setpoint knob at the side of the thermostat. This can be locked if necessary by means of the locking screw under the cover.

TMI-P

Electronic room thermostat

TMI is a 1-step electronic room thermostat for control of climate and air handling facilities.

- Input for external sensor
- Fits over inset device box, cc 60 mm
- Lockable setpoint adjustment

Locking the setpoint knob

In order to eliminate the risk of tampering, the setpoint knob can be locked by means of a locking screw under the cover.

Mounting

The cover of the controller is held by a snap catch which is opened by depressing the locking torque in the bottom edge using a screwdriver.

The screw pockets have a cc of 60 mm to enable mounting over an inset wallbox.

Typical applications

For control of heating or cooling coils, fan heaters, fans, DX-cooling, solenoid valves, heating cable, floor heating, for use in alarm systems, etc.

Technical data

Supply voltage	230 V AC +/- 15 % 50...60 Hz
Power consumption	1 W
Ambient temperature	0...50°C
Storage temperature	-40...+50°C
Ambient humidity	Max 90% RH
Protection class	IP30
Color	Signal white RAL 9003



This product carries the CE-mark. More information is available at www.regincontrols.com.

Input

External sensor One input. Only for Regin NTC-sensors (0...30°C).

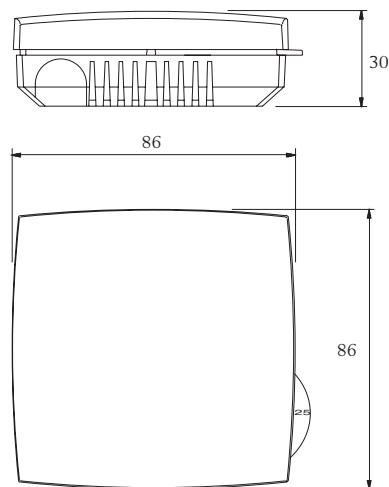
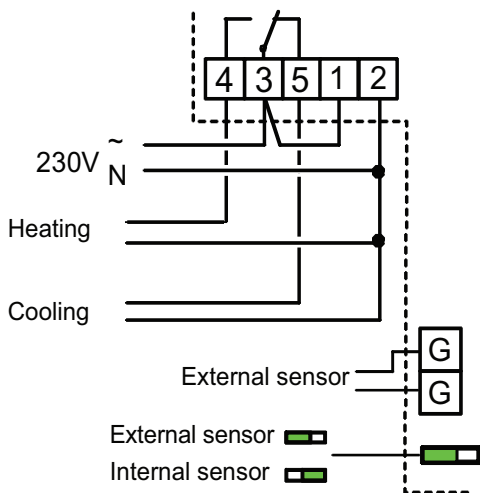
Output

Relay One change-over contact, 230 V AC 16 A

Settings

Setpoint 0...30°C
Hysteresis 1K, fixed

Wiring and dimensions



NB: The thermostat may control either heating or cooling, but not both simultaneously.