



TIM480N

Timer with alternating relay

TIM480N is a wall-mounted timer for flush-mounting with a selection of six connection times, up to 8 hours (480 minutes).

- ✓ Up to 8 hours connection time
- ✓ Designed for the Exxakt system
- ✓ Potential free, alternating relay output
- ✓ 230 V AC supply voltage

Design

The timer has a modern design (Exxakt) and also fits in a multi-compartment wallbox. It can be mounted in a standard 70 mm wallbox (cc 60 mm).

Installation and function

When power is supplied to TIM480N, the potential-free relay is closed between C (common) and NC (normally closed) and the indicator lamp is off.

When pressing the button once, the potential-free relay will alternate. The relay then closes between C (common) and NO (normally open). This output is closed during the connection time, e.g. 15 min and the indicator lamp is on. After the connection time has expired, the relay will alternate back and the lamp turns off.

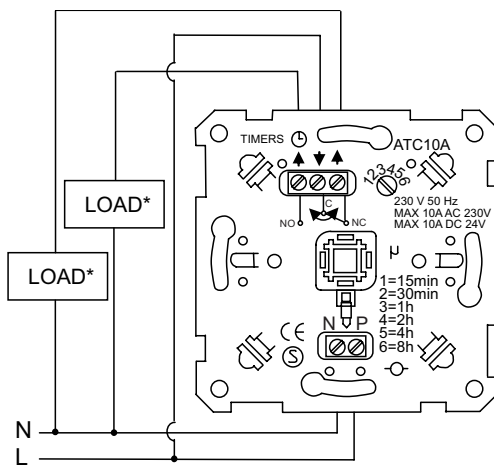
The relay always alternates when pressing the button, regardless of the position.

The connection time is set via the rotary switch next to the timer relay output under the cover when the timer is switched off.

Technical data

| | |
|-------------------------------|------------------------------------|
| Voltage range | 230 V AC |
| Power: | |
| Alternating voltage | Max. 2300 VA (resistive) |
| Fluorescent tube load | Max. 360 VA |
| Direct current voltage | See table 1 |
| Connection | Potential-free relay output |
| Wires/terminal | Max. 2 x 2.5 mm ² |
| Main fuse | Max. 10 A |
| Connection time | 15 min, 30 min, 1 h, 2 h, 4 h, 8 h |
| Approvals | CE, S |
| Protection class | IP20 |
| Installation | CEE60 |
| Depth | 25 mm |

Wiring of AC load



*Load is normally connected to either NO or NC

Wiring of DC load

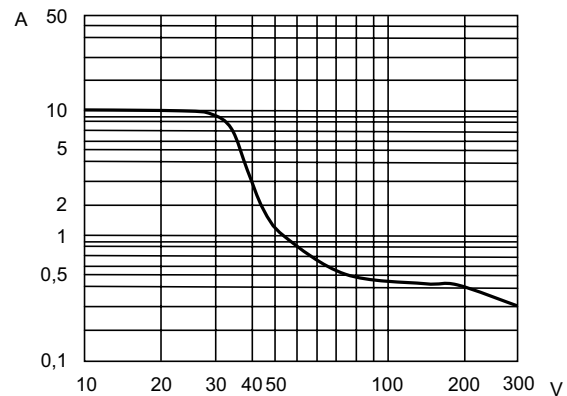
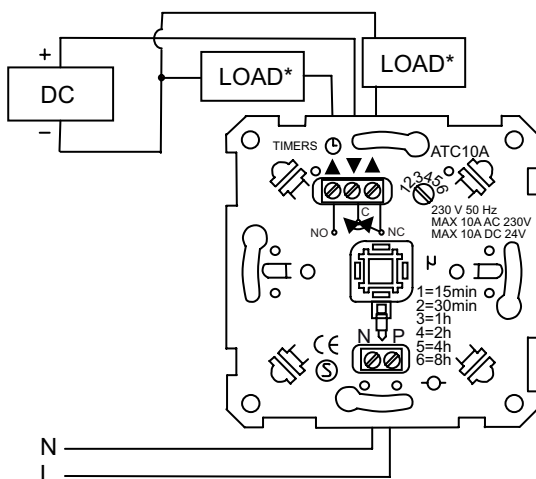


Table 1. Current ratings for DC load