



TG-UH/NTC20

Outdoor temperature sensor with housing

Temperature sensor with NTC20 element for outdoor temperature measurement or for use in areas requiring a higher protection class.

- Screw cap
- Tight casing, IP65

- Anti-tear cable gland
- Modern design and compact format

Temporo series temperature sensor with a modern design suiting all environments.

TG-UH/NTC20 is intended for wall mounting, outdoors or in areas where a high protection class is required.

The sensor is compatible with Honeywell.

Technical data

Temperature range	-30...+70°C
Compatible with	Honeywell
Sensor element	NTC 20k6A1, 20 kΩ/25°C
Cable gland	M16
Protection class	IP65

Material

Housing	Polycarbonate
---------	---------------

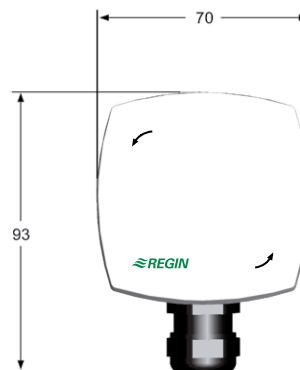
Colour

Cover	Polar white RAL9010
Base	Dark grey RAL7043

Temperature (°C)	Resistance (Ω)
15	32346
10	41567
5	53812
0	70203
-5	92322
-10	122431
-15	163777
-20	221088
-25	301297
-30	414698

Temperature (°C)	Resistance (Ω)
70	3099
65	3732
60	4517
55	5494
50	6718
45	8259
40	10211
35	12698
30	15887
25	20000
20	25350

Dimensions (mm)



Head office Sweden

Phone: +46 31 720 02 00
 Web: www.regincontrols.com
 Mail: info@regin.se