



TG-DHW1/NTC10-01

Immersion sensor with well and housing.

Temperature sensor with NTC10 element for water temperature measurement.

- Anti-tear M16 cable gland
- Screw cap
- R1/2" connection

- Well and probe in stainless steel
- Modern design and compact format
- Simple and quick installation

Tempero series immersion sensor with a modern design suiting all environments. The sensor part has a snap-on fastening for the well, making it easy to mount.

Comes supplied with a DR-90WS model well. The sensor is compatible with Aquatrol, Johnson Controls, Satchwell, Trend, Cylon and Honeywell.

Technical data

Temperature range	-20...+120°C
Compatible with	Aquatrol, Johnson Controls, Satchwell, Trend, Cylon, Honeywell
Sensor element	NTC 10k3A1, 10 kΩ/25°C
Time constant	18 s (12 s with heat-conductive paste)
Cable gland	M16
Insertion length, well	90 mm
Diameter, probe	5 mm
Diameter, well	8 mm
Connection	R1/2"
Pressure rating	PN25
Protection class	IP65

Temperature (°C)	Resistance (Ω)	Temperature (°C)	Resistance (Ω)
35	6530	120	388
30	8056	110	510
25	10000	100	678
20	12493	90	916
15	15714	80	1256
10	19903	70	1752
5	25395	65	2082
0	32651	60	2467
-5	42317	55	2985
-10	55304	50	3601
-15	72911	45	4367
-20	97006	40	5325

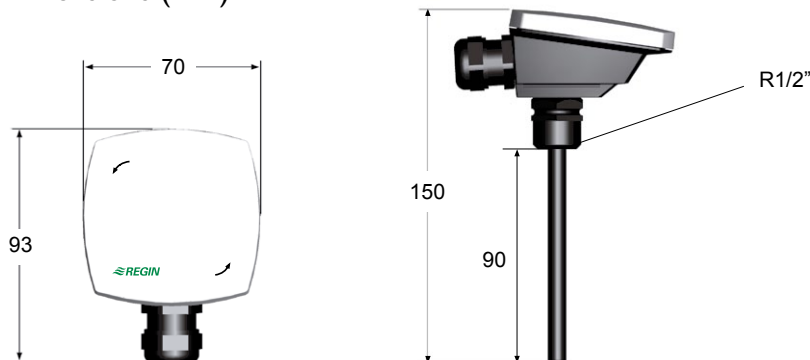
Material

Housing	Polycarbonate
Probe and well	Stainless steel, SUS304

Colour

Cover	Polar white RAL9010
Base	Dark grey RAL7043

Dimensions (mm)



Head office Sweden

Phone: +46 31 720 02 00
 Web: www.regincontrols.com
 Mail: info@regin.se

THE CHALLENGER IN BUILDING AUTOMATION