



TG-DH4/NI1000-02

Immersion sensor with housing

Temperature sensor with Ni1000 element for water temperature measurement.

- Anti-tear M16 cable gland
- Bayonett mounted cover
- R1/4" connection

- Probe in stainless steel
- Modern design and compact format
- Simple and quick installation

Tempero series immersion sensor with a modern design suiting all environments.

The sensor is compatible with Sauter.

Technical data

| | |
|-------------------|--------------------|
| Temperature range | -20...+120°C |
| Compatible with | Sauter |
| Sensor element | Ni1000, 1000 Ω/0°C |
| Time constant | 4 s |
| Cable gland | M16 |
| Insertion length | 90 mm |
| Diameter, probe | 5 mm |
| Connection | R1/4" |
| Pressure rating | PN16 |
| Protection class | IP65 |

Material

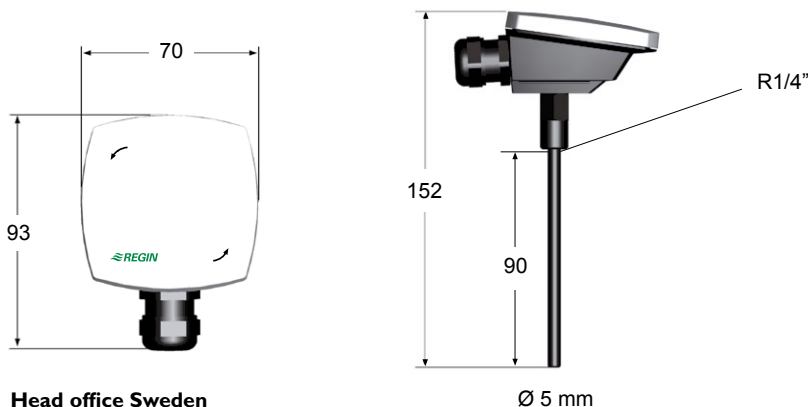
| | |
|---------|-------------------------|
| Housing | Polycarbonate |
| Probe | Stainless steel, SUS304 |

Colour

| | |
|-------|---------------------|
| Cover | Polar white RAL9010 |
| Base | Dark grey RAL7043 |

| Temperature (°C) | Resistance (Ω) | Temperature (°C) | Resistance (Ω) |
|------------------|----------------|------------------|----------------|
| 35 | 1200 | 120 | 1760 |
| 30 | 1171 | 110 | 1688 |
| 25 | 1141 | 100 | 1618 |
| 20 | 1112 | 90 | 1549 |
| 15 | 1084 | 80 | 1483 |
| 10 | 1056 | 70 | 1417 |
| 5 | 1028 | 65 | 1385 |
| 0 | 1000 | 60 | 1353 |
| -5 | 973 | 55 | 1322 |
| -10 | 946 | 50 | 1291 |
| -15 | 919 | 45 | 1260 |
| -20 | 893 | 40 | 1230 |

Dimensions (mm)



Head office Sweden

Phone: +46 31 720 02 00
 Web: www.regincontrols.com
 Mail: info@regin.se

REGIN

THE CHALLENGER IN BUILDING AUTOMATION