

INSTRUCTION

SCS-S2



REGIN
THE CHALLENGER

REV. B, 2023-11-01

Caution! SCS-S2 can not be relied upon for the safety of the application (e.g. fire damper function). The safety must be contained in another function of the system.

Caution! Read and understand the instruction before using the product.

Caution! Ensure that the installation complies with local safety regulations.

Caution! Before installation or maintenance, the power supply should first be disconnected. Installation or maintenance of this unit should only be carried out by qualified personnel. The manufacturer is not responsible for any eventual damage or injury caused by inadequate skills during installation, or through removal of or deactivation of any safety devices.

Function

The SCS-S2 is used as a damper unit for one individual damper in a smoke control system. It works together with a master unit where most of the setup of the SCS-S2 is made.

With the variable list obtained from Regin, you as an integrator can use your own master unit.

The damper unit has two analogue inputs, two digital inputs, one analogue output and two digital outputs. The in- and outputs are used for e.g. damper control, smoke detector, temperature sensors and VAV. It communicates via Modbus. One terminal is used as +19 V DC supply voltage for a smoke detector.

There is an app available (**Regin:GO**) for Android and iOS that can be used to identify, name, and address the damper units. The app **Regin:GO** can also be used to upgrade the firmware. Get the **Regin:GO** app from the *App store* (iPhone and iPad) or *Google play* (Android).

Technical Data

Supply voltage	18...30 V AC (50...60 Hz), 22...26 V DC
Power consumption	2 VA, 2W
Protection, Electrical	Class III
Protection class, Housing	IP44
Ambient temperature	-25...+50°C
Storage temperature	-25...+70°C
Ambient humidity	5...95 %RH (non-condensing)
Wireless communication	Bluetooth® Low Energy
Communication frequency	2.4 GHz
Number of cable glands	8 large, 5 small
Recommended cable size, cable glands	Note! circular cable only – Small cable gland: 3...6 mm – Large cable gland: 6...10 mm
Approved cable area	– Solid/stranded cable: 0.14...1.5 mm ² – Stranded cable with ferrule: 0.25...1.0 mm ²
Recommended cable tie width	Up to 2.8 mm
Dimensions, external (WxHxD)	167 x 110 x 46 mm
Material, (housing, base and lid)	Polycarbonate (PC)
Material, cable gland	Thermoplastic elastomer (TPS-SEBS)

Smoke detector specifics

Number of smoke detectors per SCS-S2 unit	1
Supply voltage	+ 19 V DC, provided from terminal DO1
Detector status range	0...100 mA

Inputs and outputs

Analogue inputs (AI)	2
Digital inputs (DI)	2
Analogue outputs (AO)	1
Digital outputs (DO)	2
+19 V DC (DO1 on label)	1

Analogue inputs

Analogue inputs	0...10 V or PT1000
Accuracy for input	± 1 % (0...10 V) ± 1 K (PT1000)
Measuring range, PT1000	-40...+150 °C

Digital inputs

Digital input (DI)	Potential-free contacts on / off (on = closed)
Output pull-up current	0.5 mA (max. 2.5 V)

Analogue outputs

Analogue outputs	0...10 V
Load impedance, 0...10 V	Min. 10 kΩ
Accuracy	± 1 %

Digital outputs

Configuration	Mosfet sinking type outputs, 24 V AC or DC, 2 A continuous
Output current	Max. 2A (in total) Caution! This is a non-protected output. A current overload will destroy the unit

Communication port data

Communication ports	1
Port type	RS485, isolated
Supported protocols	Modbus
Modbus address	Modbus addresses 4...60 <u>must</u> be used for the damper units. If addresses outside this range is used, the master will not find the units.
Port isolation	Isolated
Communication speed, default	9600 Baud
Parity	Even, None
Stop bits	1
Cable length	Max. 300 m ¹

1. A repeater can be used if the cable length exceeds 300 m

Installation

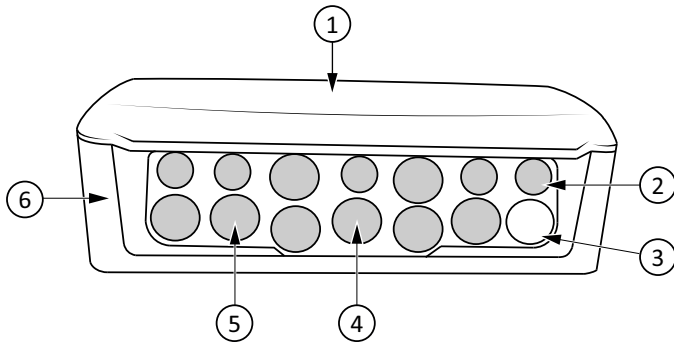


Figure 1 1: Lid, 2: Cable gland assembly, 3: LED, 4: Cable gland, 5: Soft part of cable gland, 6: Housing

To connect and install cables into the unit (Figure 2):

1. Pierce a hole that is smaller than the cable diameter through the soft part of the cable gland (see Figure 1) with a circular object, such as a Phillips head screwdriver or an awl.



Caution! Make sure that the hole is smaller than the cable diameter. The soft material in the cable gland is intended to work as a seal against the cable, and if the hole is too big the unit will not be protected against humidity and dirt.

2. Push the cable through.
3. Secure the cables in the housing with a cable tie around the cable support. The width of the cable tie can be up to 2.8 mm.

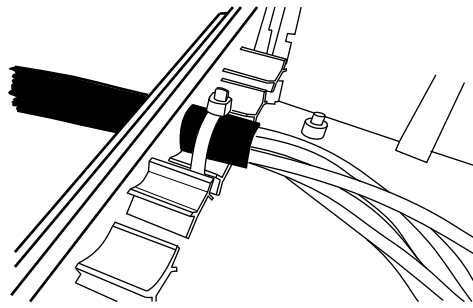


Figure 2 Secure the cable with a cable tie

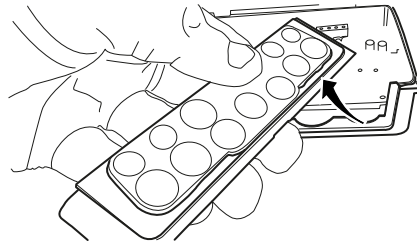


Figure 3 Cable gland assembly, removable from the housing



Caution! If a hole is made in a cable gland and the cable is removed, the unit will not maintain its IP-class.

Mounting

1. Mount the damper unit on a stable, vibration-free surface. It can be mounted horizontally with the lid up (No 1 in Figure 1) or vertically with the cable gland assembly (Pos. 2 in Figure 1) of the unit pointing down.
2. Refer to the graphics below for wiring.
3. Power up the unit.

Addressing

For the unit to work in a smoke control system, it must have a Modbus address. The addressing of the damper unit is made in the master unit or with the Regin:GO phone/tablet app.

Accessing, operation, and setting in the Regin:GO app

To access and enable operations and settings in the Regin:GO app, a valid password is required. See below list of access rights.

Administrator - password: Admin

- Update firmware
- Reset to default values
- Save and import local configuration
- Change password on all users
- Read and write values for device name and address

Service - password: Service

- Reset to default values accepted by Regin:GO application
- Save and import local configuration
- Change password on this user level
- Read values decided by Regin:GO application

Operator - password: Operator

- Reset to default values accepted by Regin:GO application
- Save and import local configuration
- Change password on this user level
- Read values decided by Regin:GO application

Guest - password: N/A

- Read values decided by Regin:GO application



Note! Make sure to change the password after the first *Admin* login.

Addressing with the Regin:GO app

Addressing of damper units with the Regin:GO app can be done with units straight out of the box, or with connected units when the master is in install mode.

1. Start the Regin:GO app on your phone or tablet
2. Choose the unit in the device list in the Regin:GO app (the serial number is in the unit list as well as on the unit).
3. Log in into the Regin:GO app as *Admin*. Use the password **Admin**.
4. Click on **Communication** in the Regin:GO app.
5. Input the desired address for the unit. The address must be between 4 and 60.
6. Confirm the changes in the Review changes dialogue.



Note! The Modbus address must be in the range 4...60. If it is outside this range, the master will not find the damper units.

Identify damper units

It is useful to be able to identify which unit is which, when they are installed in a building.

When identified, LED light 1 in the unit will start blinking, see *Figure 4*.

Identifying with the Regin:GO app

1. Start the Regin:GO app. A list with all available units within range will be displayed.
2. Click the **[Identify]**- button for the unit in the list that you want to identify
3. LED light 1 in the unit will start blinking for approx. five (5) seconds, see *Figure 4*.

Identifying unit in the Regin:GO app

It is possible to identify a physical unit in the unit list in the Regin:GO app. It can be done either with an un-addressed unit (straight out of the box) or when the master is in **Install mode**.

1. Start the Regin:GO app on your phone or tablet, and find the device in the Device list page.
2. Press the button in the unit, see *Figure 4*
3. The unit will be identified in the Regin:GO app by a flashing frame around the unit in the unit list

! **Note!** If the flashing frame around the unit doesn't appear, try and swipe down in the device list to refresh it.

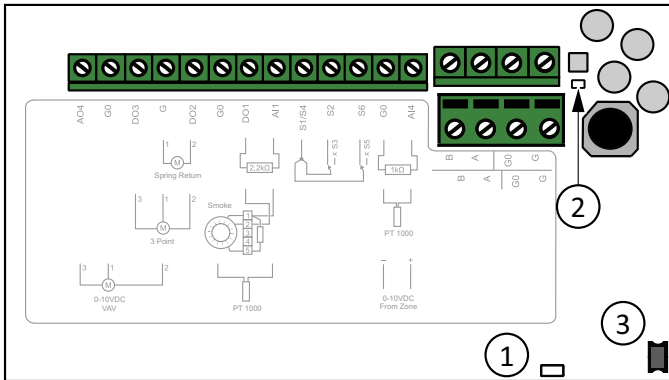


Figure 4 Inside the SCS-S2. 1= LED light for identification, 2= LED light for communication, 3= Push-button

LED lights

There are two LED lights in the unit with the following light colours and patterns:

LED number	Colour	Pattern	Description
1 (seen from outside of housing)	Blue	Steady	Bluetooth® connection active
	Yellow	Steady	Service alarm
		Blinking	Unit identified
	Red	Steady	Alarm
		Blinking	Factory reset
	Green	Steady	Everything ok
	Magenta	Steady	Unit offline
White	Steady	Unit has address 1 and is ready to be addressed in the system	
	Blinking	The button has been pressed on the unit and it's waiting to be addressed	
2	Yellow	Fast blinking	Communication in progress

Changing unit name in the Regin:GO app

1. Start the Regin:GO app on your phone or tablet
2. Choose the unit in the unit list in the Regin:GO app (the serial number is in the unit list as well as on the unit).
3. Log in into the Regin:GO app as **Admin**. Use **Admin** as password.
4. Click on **Unit** in the Regin:GO app.
5. Change the **Product name**
6. Confirm the changes in the **Review changes** dialogue

Addition of external power supplies in the Regin:GO application

In a smoke control system with one master unit and a number of damper units with e.g. dampers there will be a voltage drop (ΔU) along the wire which makes it necessary to add external power supplies between the damper units. The voltage drop depends on the resistance, thickness and length of the wire and the power consumption in the damper units with connected dampers/detectors/sensors. See *Figure 9* for an example of a system setup.

The voltage drop (ΔU) can be maximum 10% before an external power supply must be added. To decide how many external power supplies are needed, calculations for the voltage drop (ΔU) must be made. An example is shown below.

Calculation example:

The following formulas are used:

$$\Delta U = R \cdot I$$

$$I = P / U$$

$$R = CU \cdot L / q$$

where

- **R**, resistance in the wire (Ω)
- **I**, total current (A)
- **U**, power supply (V AC)
- **P**, power consumption (VA)
- **CU**, copper wire resistivity
- **L**, length of wire
- **q**, wire cross section area

Calculation example :

- $U = 24$ V AC
- $P_{\text{damper unit}} = 2$ VA
- $P_{\text{damper act.}} = 7$ VA
- $CU = 0.017$ $\Omega\text{mm}^2/\text{m}$ at 20°C
- $L = 112$ m (*2 since the cable goes back and forth)
- $q = 0.75$ mm^2

! **Note!** Please note that the resistivity in copper is temperature dependant. In this example we have calculated with the value at 20°C .

1. Start by calculating the current used in the damper unit and the damper by using the formula $I = P/U$: $I_{\text{damper unit}} = 2 / 24 = 0.0833$ A, $I_{\text{damper act.}} = 7 / 24 = 0.2917$ A
The total current is $I_{\text{damper unit}} + I_{\text{damper}} = 0.3750$ A

! **Note!** In this example there is only one damper unit with one damper. If there are more units, the current for all units must be calculated and added to the total current.

2. Calculate the resistance in the wire: $R = CU \cdot (2 \cdot L) / q$
 $R = 0.017 \cdot (2 \cdot 112) / 0.75 = 5.077$
3. Calculate the voltage drop in V ($\Delta U = R \cdot I$). $\Delta U = 5.077 \cdot 0.3750 = 1.9038$
4. Calculate the voltage drop in % ($\Delta U/U \cdot 100$). $\Delta U (\%) = 1.9038 / 24 \cdot 100 = 7.93$ %

Conclusion: No external power source is needed after one unit in this example, since the voltage drop $\Delta U = 7.93$ % is less than 10 %.

Wiring

The damper unit has two analogue inputs, two digital inputs, one analogue output and two digital outputs. The inputs and outputs are used for damper control, smoke detector, temperature sensors and VAV. At delivery, the unit is equipped with a 2.2 kΩ resistor mounted between terminals DO1 and AI1 and a 1 kΩ resistor between GO and AI4. The configuration of the in- and outputs are made from the master unit.

Connect damper actuator to damper unit

One damper actuator per SCS-S2 is allowed. The damper is controlled by either an actuator with spring return, a 3-point actuator or a 0-10 V VAV actuator. When an actuator is used, end position switches must be added to terminals S1/S4, S2 and S6. See wiring in *Figure 5*.

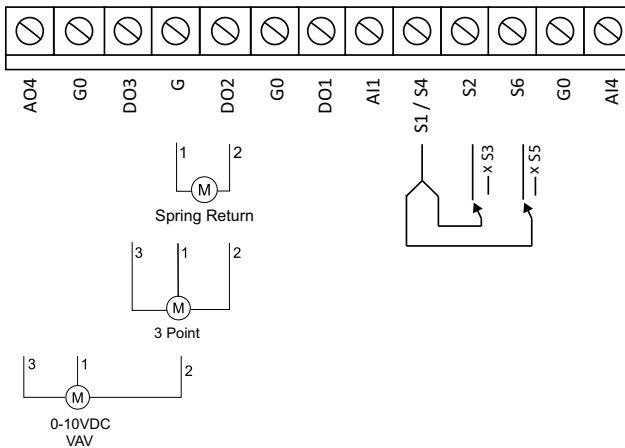


Figure 5 Actuators and end position switches

Connect smoke detector to damper unit

One smoke detector per SCS-S2 is allowed. Remove the 2.2 kΩ resistor from the damper unit and move it to the smoke detector. The digital output DO1 works as a +19 V DC power supply for the smoke detector.

AI1 is used to read the detector status in the range 0-100mA, and is short circuit proof. See wiring in *Figure 6*.

! **Note!** This wiring diagram is applicable when the Regin smoke detector SDD... is used. Please consult the smoke detector wiring diagram if another type of smoke detector is used.

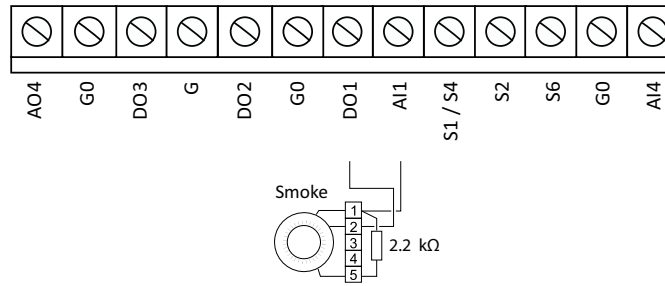


Figure 6 Smoke detector connected to power and Analogue input 1

Wiring alternatives

Temperature sensors and resistors can be added to the damper unit according to the wiring diagram *Figure 7*. The 1 kΩ resistor is removed when a temperature sensor or the VAV signal 0-10 V from zone is connected.

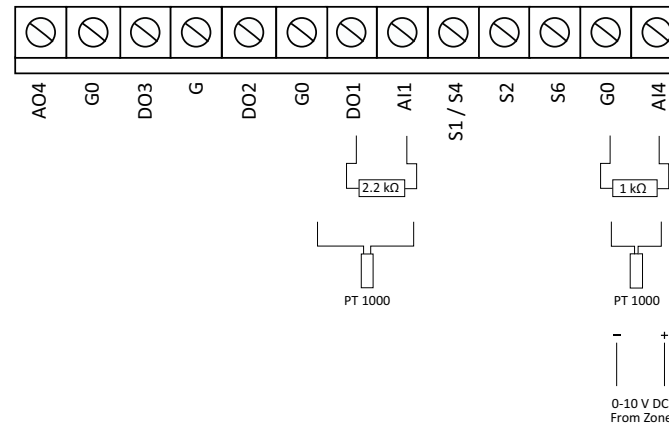


Figure 7 Wiring alternatives

Connect damper unit to power

The damper unit is connected to 24 V AC power supply in terminals G and GO, see *Figure 8*.

Connect damper unit to master unit

The damper unit is connected to the master with a RS485 communication cable, see *Figure 8* and *Figure 9*. A shielded, double twisted, two wired RS485 cable is recommended.

The cable is connected to the A and B terminal in the master and the damper unit, see *Figure 9*. The cable shield cannot be connected to any terminals inside the SCS-S2 unit, so that needs to be handled externally when connecting damper units in a chain.

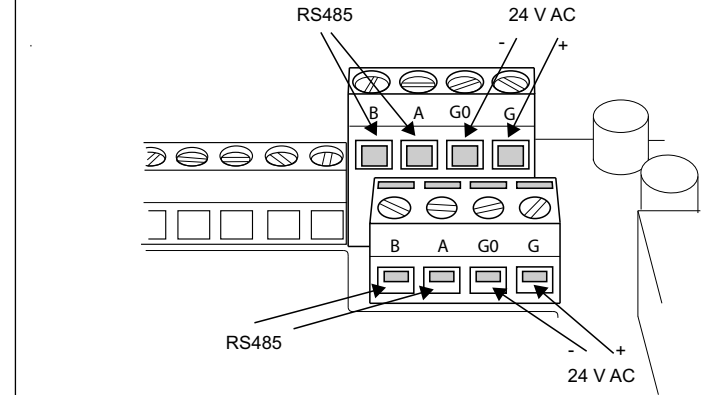


Figure 8 Connection to power and communication

Double terminals

The double terminals in the unit (*Figure 8*) are used when two or more units are connected to each other as shown in *Figure 9*. Both the communication cable and the cables for power supply can be connected in the upper and/or lower terminals for easy installation.

Connect damper unit to damper unit

When a damper unit is connected to another damper unit, G is connected to G, GO to GO (Power supply), A to A and B to B (communication, RS485), see *Figure 8* and *Figure 9*.

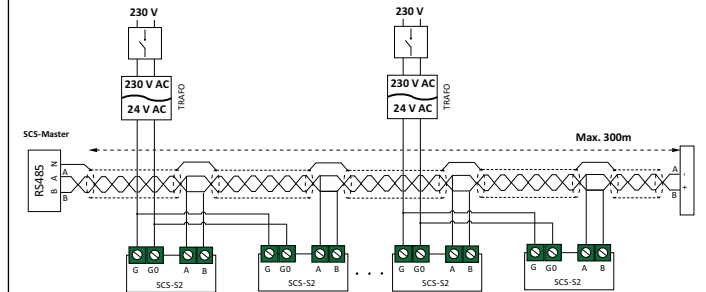


Figure 9 Damper units connected to a master unit and external power supplies.

Connect damper unit to temperature sensor

Up to two temperature sensors per SCS-S2 is allowed. The two sensors can have separate temperature alarm thresholds, if needed. The thresholds are set in the master unit.

! **Note!** If a temperature sensor is used on AI1, a smoke detector cannot be used, and if a temperature sensor is used on AI4 a VAV (0-10V) damper actuator cannot be used.

Factory reset

It's possible to reset the device to factory settings via the button, see *Figure 4*.

To reset the unit:

1. Push and hold the button for 10 seconds. LED 1 (*Figure 4*) will turn red.
2. Release the button
3. Push and release the button 3 times in 10 seconds
4. LED 1 blinks 3 times to confirm the factory reset



Hereby, Regin declares that the radio equipment type SCS-S2 is in compliance with Directive 2014/53/EU.

SCS-S2 complies with EN IEC 60730-1 as a class A control.

This radio equipment device is approved for use in all countries within the European union.

This product carries the CE-mark. More information is available at www.regincontrols.com.

Contact

AB Regin, Box 116, 428 22 Källered, Sweden
Tel: +46 31 720 02 00, Fax: +46 31 720 02 50
www.regincontrols.com, info@regincontrols.com

SE

INSTRUKTION SCS-S2

⚠ Observera! Säkerheten för tillämpningen (t.ex. ett brandspjälls funktion) får inte vara beroende av SCS-S2. Säkerheten ska skötas av någon annan funktion i systemet.

⚠ Observera! Läs och förstå instruktionen innan du använder produkten.

⚠ Observera! Se till att installationen uppfyller lokala säkerhetsbestämmelser.

⚠ Observera! Innan installation eller underhåll måste matningsspänningen först kopplas från. Installation eller underhåll av denna enhet ska endast utföras av kvalificerad personal. Tillverkaren är inte ansvarig för eventuella skador som orsakas av felaktig installation och/eller inaktivering eller borttagning av säkerhetsanordningar.

Funktion

SCS-S2 används som en spjällmodul för ett enskilt spjäll i ett rökkontrollsystem. Det arbetar tillsammans med en master-enhet där de flesta av SCS-S2-inställningarna görs.

Med variabellistan som du erhållit från Regin kan du som integratör använda din egen master-enhet.

Spjällmodulen har två analoga ingångar, två digitala ingångar, en analog utgång och två digitala utgångar. In- och utgångarna används för bl.a. spjällreglering, rökdetektor, temperatursensorer och VAV. SCS-S2 kommunicerar via Modbus. En plint används för att ge en matningsspänning på +19 V DC till en rökdetektor.

Det finns en app (**Regin:GO**) för Android och iOS som kan användas för att identifiera, namnge och tilldela spjällmoduler en adress. **Regin:GO** kan också användas för att uppdatera firmware. Hämta **Regin:GO** från *App store* (iPhone och iPad) eller *Google play* (Android).

Tekniska data

Matningsspänning	18...30 V AC (50...60 Hz), 22...26 V DC
Strömförbrukning	2 VA (2 W)
Skyddsklass, elektriskt	Klass III
Skyddsklass, kapsling	IP44
Omgivningstemperatur	-25...+50 °C
Lagringstemperatur	-25...+70 °C
Omgivande luftfuktighet	5...95 %RH (icke-kondenserande)
Trådlös kommunikation	Bluetooth® Low Energy
Kommunikationsfrekvens	2,4 GHz
Antal kabelgenomföringar	8 stora, 5 små
Rekommenderad kabelstorlek, kabelgenomföringar	OBS: Endast cirkulär kabel – Liten kabelgenomföring: 3...6 mm – Stor kabelgenomföring: 6...10 mm
Godkänd kabelarea	– Massiv/tvinnad kabel: 0,14...1,5 mm ² – Tvinnad kabel med hylsa: 0,25...1,0 mm ²
Rekommenderad buntbandsbredd	Upp till 2,8 mm
Dimensioner, yttre (BxHxD)	167 x 110 x 46 mm

Material (kapsling, bakstycke och lock)	Polykarbonat (PC)
Material, kabelgenomföring	Termoplastisk elastomer (TPS-SEBS)

Rökdetektorspecifikationer

Antal rökdetektorer per SCS-S2-modul	1
Matningsspänning	+ 19 V DC, tillförd från plint DO1
Detektorstatusintervall	0...100 mA

Ingångar och utgångar

Analoga ingångar (AI)	2
Digitala ingångar (DI)	2
Analoga utgångar (AO)	1
Digitala utgångar (DO)	2
+19 V DC (DO1 på märkning)	1

Analoga ingångar

Analoga ingångar	0...10 V eller PT1000
Reglernoggrannhet för ingång	± 1 % (0...10 V) ± 1 K (PT1000)
Mätområde, temperatur (PT1000)	-40...+150 °C

Digitala ingångar

Digital ingång (DI)	Potentialfria kontakter på / av (på = sluten)
Pull-up-ström för utgång	0,5 mA (max. 2,5 V)

Analoga utgångar

Analoga utgångar	0...10 V
Belastningsresistans, 0...10 V	Min. 10 kΩ
Noggrannhet	±1 %

Digitala utgångar

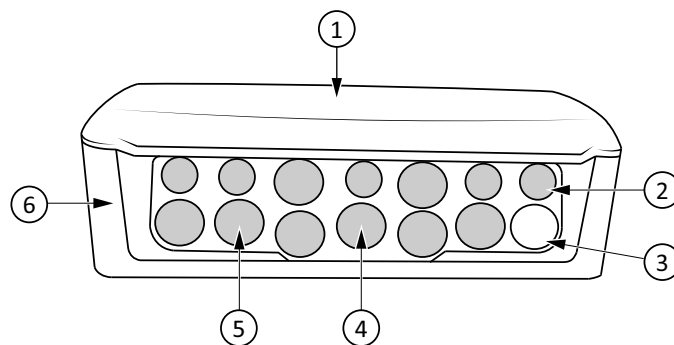
Konfigurering	Utgångar av MOSFET sinking-typ, 24 V AC eller DC, 2 A löpande
Utgångsström	Max. 2A (totalt)
	⚠ Observera! Det här är en oskyddad utgång. Överbelastning förstör modulen.

Kommunikationsdata

Kommunikationsportar	1
Porttyp	RS485, isolerad
Stödda protokoll	Modbus
Modbusadress	Modbusadresser 4...60 måste användas för spjäll-modulerna. Används adresser utanför det här området hittar inte mastern modulerna.
Portisolering	Isolerad
Kommunikationshastighet, förinställd	9 600 Baud
Paritet	Jämn, ingen
Stoppbitar	1
Kabellängd	Max. 300 m ¹

1. En repeater kan användas om kabellängden överstiger 300 m

Installation



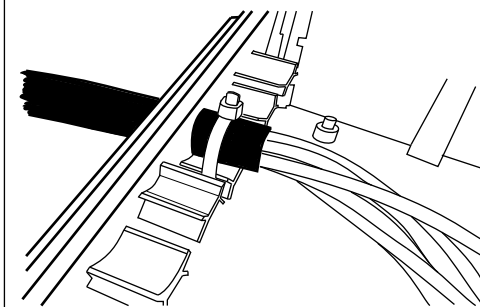
Figur 1 1: Lock, 2: Kabelgenomföringspanel, 3: LED, 4: Kabelgenomföring, 5: Mjuk del av kabelgenomföring, 6: Kapsling

För att ansluta och installera kablar i enheten (Figur 2):

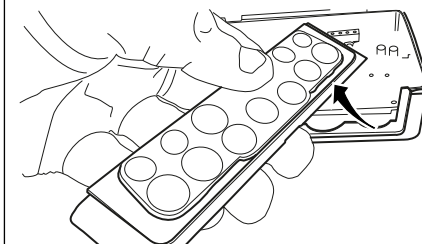
1. Gör ett hål som är mindre än kabeldiametern i den mjuka delen av kabelgenomföringen (se Figur 1) med ett runt verktyg, som en stjärnskruvmejsel eller en syl.

⚠ Observera! Se till att hålet är mindre än kabelns diameter. Det mjuka materialet i kabelgenomföringen ska fungera som tätning mot kabeln och om hålet är för stort är inte enheten skyddad mot fukt och smuts.

2. Tryck igenom kabeln.
3. Fäst kablarna i kapslingen med ett buntband runt kabelstödet. Buntbandet kan vara upp till 2,8 mm brett.



Figur 2 Fäst kabeln med ett buntband.



Figur 3 Kabelgenomföringspanel, kan tas bort från kapslingen

⚠ Observera! Om det görs hål i en kabelgenomföring och kabeln tas bort kommer enheten inte längre att uppfylla sin IP-klass.

Montering

1. Montera spjällmodulen på en stabil yta utan vibrationer. Den kan monteras horisontellt med locket uppåt (nr 1 i Figur 1) eller vertikalt med modulens kabelgenomföringspanel (nr 2 i Figur 1) riktad nedåt.
2. För inkoppling, se nedanstående ritningar.
3. Spänningssätt enheten.

Tilldelning av adress

För att enheten ska fungera i ett rökkontrollsystem måste den ha en Modbusadress. Spjällmodulen tilldelas en adress i master-enheten eller via appen Regin:GO för telefon/surfplatta.

Behörighet, användning och inställningar i appen Regin:GO

För att få tillgång till att använda och aktivera inställningar i appen Regin:GO måste du ange ett giltigt lösenord. Se listan över behörigheter nedan.

Administrator (Administratör) – lösenord: Admin

- Uppdatera firmware
- Återställa till förinställda värden
- Spara och importera lokal konfiguration
- Byta lösenord för alla användare
- Läs och skriva in värden för enhetsnamn och adress

Service (Service) – lösenord: Service

- Återställa till förinställda värden som godkänns av applikationen Regin:GO
- Spara och importera lokal konfiguration
- Byta lösenord för den här användarnivån
- Läs värden som bestäms av applikationen Regin:GO

Operator (Operatör) – lösenord: Operator

- Återställa till förinställda värden som godkänns av applikationen Regin:GO
- Spara och importera lokal konfiguration
- Byta lösenord för den här användarnivån
- Läs värden som bestäms av applikationen Regin:GO

Guest (Gäst) – lösenord: Ej tillämpligt

- Läs värden som bestäms av applikationen Regin:GO

❗ **Notera!** Se till att ändra lösenordet efter den första Admin-inloggningen.

Tilldelning av adress via appen Regin:GO

Tilldelning av adresser till spjällmoduler via appen Regin:GO kan göras med enheter redan från start, eller med anslutna moduler när master-enheten är i installationsläge.

1. Starta Regin:GO på din telefon eller surfplatta.
2. Välj modulen i enhetslistan i Regin:GO (serienumret står i enhetslistan och på modulen).
3. Logga in i Regin:GO som *Administrator*. Ange lösenordet **Admin**.
4. Klicka på **Communication** i Regin:GO.
5. Skriv in önskad adress för modulen. Adressen måste ligga mellan 4 och 60.
6. Bekräfta ändringarna i Review changes-dialogen.

❗ **Notera!** Modbus-adressen måste ligga i området 4...60. Om den ligger utanför detta område hittar inte mastern spjällmodulerna.

Identifiera spjällmoduler

It is useful to be able to identify which unit is which, when they are installed in a building.

När den identifierats börjar LED-diod 1 på spjällmodulen att blinka, se *Figur 4*.

Identifiering via appen Regin:GO

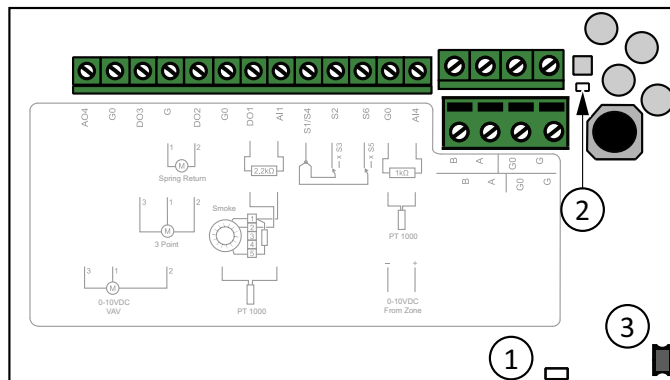
1. Starta appen Regin:GO. En lista med alla tillgängliga moduler som är inom räckhåll visas.
2. Klicka på **[Identify]**-knappen för den modul i listan som du vill identifiera.
3. LED-diod 1 på modulen börjar blinka under ca fem (5) sekunder, se *Figur 4*.

Identifiering av spjällmodul i appen Regin:GO

I Regin:GO kan du identifiera en fysisk spjällmodul i enhetslistan. Det kan göras antingen med en modul som inte tilldelats någon adress (från start) eller när mastern är i **Install mode**.

1. Starta Regin:GO på din telefon eller surfplatta och leta upp modulen i enhetslistan.
2. Tryck på knappen i modulen, se *Figur 4*
3. Modulen identifieras i Regin:GO genom att den får en blinkande ram i enhetslistan.

❗ **Notera!** Om du inte ser en blinkande ram runt någon modul i enhetslistan kan du prova att svepa nedåt i enhetslistan för att uppdatera den.



Figur 4 Inuti SCS-S2. 1=LED-diod för identifiering, 2=LED-diod för kommunikation, 3=tryckknapp

LED-dioder

Det finns två LED-dioder i modulen och de har följande färger och mönster:

LED-diod	Färg	Mönster	Beskrivning
1 (syns från utsidan av kåpan)	Blå	Fast	Bluetooth®-anslutning aktiverad
	Gul	Fast	Servicealarm
		Blinkande	Enhet identifierad
	Röd	Fast	Larm
		Blinkande	Fabriksåterställning
	Grön	Fast	Allt okej
Magenta	Fast	Enhet offline	
Vit	Fast	Enheten har adress 1 och är redo att tilldelas en adress i systemet	
	Blinkande	Knappen på enheten har tryckts in och den väntar på att tilldelas en adress	
2	Gul	Snabbt blinkande	Kommunikation pågår

Ändra modulnamn i appen Regin:GO

1. Starta Regin:GO på din telefon eller surfplatta.
2. Välj modulen i enhetslistan i Regin:GO (serienumret står i enhetslistan och på modulen).
3. Logga in i Regin:GO som *Administrator*. Använd **Admin** som lösenord.
4. Klicka på **Unit** i Regin:GO.
5. Ändra **Product name**.
6. Bekräfta ändringarna i **Review changes**-dialogen.

Lägga till extern strömförsörjning via Regin:GO

I ett rökkontrollsystem med en master-enhet och ett antal spjällmoduler med exempelvis spjäll, kommer det att ske ett spänningsfall (ΔU) längs kabeln. Därför behöver du lägga till extern strömförsörjning mellan spjällmodulerna. Spänningsfallet beror på kabelns motstånd, tjocklek och längd, samt effektförbrukningen i spjällmoduler med spjäll/detektorer/givare anslutna. Se *Figur 9* för ett exempel på system-setup.

Spänningsfallet (ΔU) får vara maximalt 10 % innan ett externt nätaggregat måste läggas till. För att avgöra hur många externa nätaggregat som behövs måste spänningsfallet (ΔU) räknas ut. Ett exempel visas nedan.

Beräkningsexempel:

Följande formler används:

$$\Delta U = R \cdot I$$

$$I = P / U$$

$$R = CU \cdot L / q$$

där

- **R**, motstånd i kabeln (Ω)
- **I**, total ström (A)
- **U**, strömförsörjning (V AC)
- **P**, effektförbrukning (VA)
- **CU**, kopparkabelns resistivitet
- **L**, kabelns längd
- **q**, kabelns tvärsnitt

Beräkningsexempel:

- 24 V AC
- $P_{\text{spjällmodul}} = 2 \text{ VA}$
- $P_{\text{spjällmotor}} = 7 \text{ VA}$
- $CU = 0,017 \Omega \text{mm}^2/\text{m}$ vid 20°C
- $L = 112 \text{ m}$ (*2 eftersom kabeln går fram och tillbaka)
- $q = 0,75 \text{ mm}^2$

Notera! Observera att resistiviteten i koppar är temperaturberoende. I det här exemplet har vi räknat med värdet vid 20°C .

1. Börja med att räkna ut den ström som används i spjällmodulen och spjället med formeln $I = P/U$: $I_{\text{spjällmodul}} = 2 / 24 = 0,0833 \text{ A}$, $I_{\text{spjällmotor}} = 7 / 24 = 0,2917 \text{ A}$

Den total strömmen är $I_{\text{spjällmodul}} + I_{\text{spjäll}} = 0,3750 \text{ A}$

Notera! I det här exemplet finns det bara en spjällmodul med ett spjäll. Om det finns fler enheter måste strömmen för alla enheter räknas ut och läggas till för den totala strömmen.

2. Beräkna motståndet i kabeln: $R = CU \cdot (2 \cdot L) / q$

$$R = 0,017 \cdot (2 \cdot 112) / 0,75 = 5,077$$

3. Beräkna spänningsfallet i V ($\Delta U = R \cdot I$). $\Delta U = 5,077 \cdot 0,3750 = 1,9038$

4. Beräkna spänningsfallet i % ($\Delta U/U \cdot 100$). $\Delta U (\%) = 1,9038 / 24 \cdot 100 = 7,93 \%$

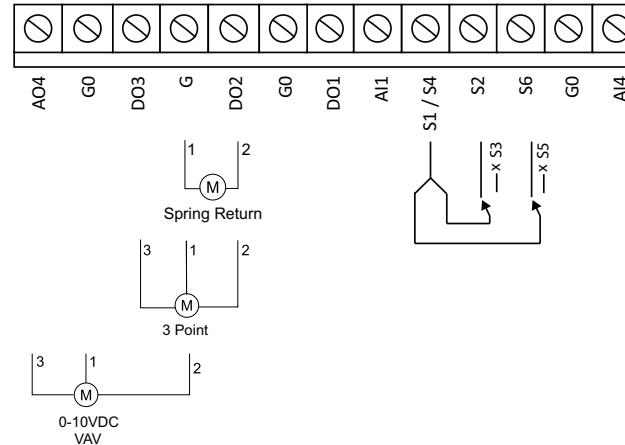
Slutsats: Inget externt nätaggregat behövs efter en enhet i det här exemplet eftersom spänningsfallet $\Delta U = 7,93 \%$ är mindre än 10 %.

Inkoppling

Spjällmodulen har två analoga ingångar, två digitala ingångar, en analog utgång och två digitala utgångar. In- och utgångarna används för bl.a. spjällreglering, rökdetektor, temperaturgivare och VAV. Vid leverans är enheten utrustad med ett motstånd på $2,2 \text{ k}\Omega$ som är monterat mellan plint DO1 och AI1, och ett motstånd på $1 \text{ k}\Omega$ mellan G0 och AI4. Konfigureringen av in- och utgångar görs från master-enheten.

Anslut spjällmotor till spjällmodul

En spjällmotor per SCS-S2 är tillåten. Spjället styrs antingen av ett ställdon med fjäderåtgång, ett 3-läges ställdon eller ett VAV-ställdon på 0-10 V. När ett ställdon används måste ändlägesbrytare läggas till för plint S1/S4, S2 och S6. Se inkoppling i *Figur 5*.



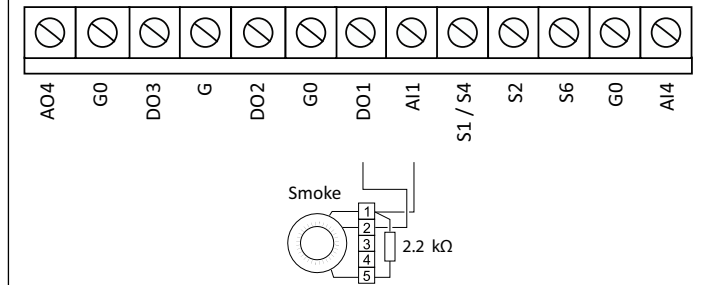
Figur 5 Ställdon och ändlägesbrytare

Anslut rökdetektor till spjällmodul

En rökdetektor per SCS-S2 är tillåten. Ta bort $2,2 \text{ k}\Omega$ -motståndet från spjällmodulen och flytta det till rökdetektorn. Den digitala utgången DO1 fungerar som ett nätaggregat på +19 V DC för rökdetektorn.

AI1 används för att läsa av detektorstatus i området 0-100 mA, och är kortslutningssäkrat. Se inkoppling i *Figur 6*.

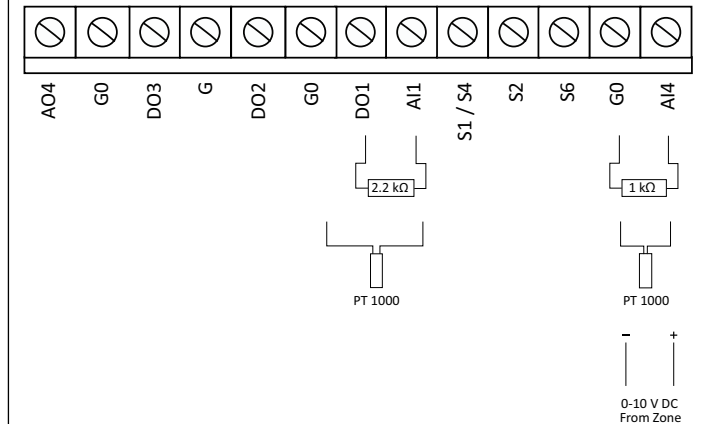
Notera! Inkopplingsschemat kan tillämpas när Regin rökdetektor SDD... används. Följ inkopplingsschemat för rökdetektorn om en annan typ av rökdetektor används.



Figur 6 Rökdetektor ansluten till ström och Analog ingång 1

Inkopplingsalternativ

Temperaturgivare och resistorer kan läggas till spjällmodul enligt inkopplingsschemat i *Figur 7*. Motståndet på $1 \text{ k}\Omega$ tas bort när en temperaturgivare eller en VAV-signal på 0-10 V från zonen ansluts.



Figur 7 Inkopplingsalternativ

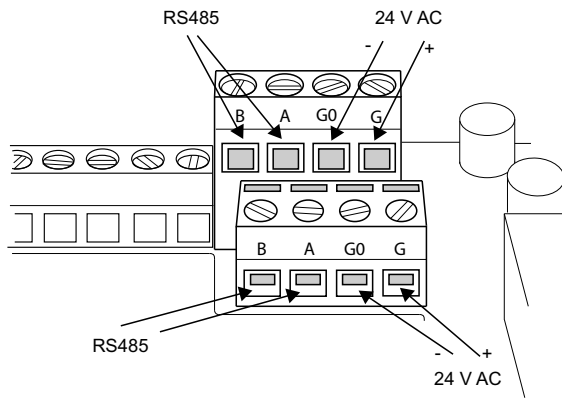
Anslut spjällmodul till ström

Spjällmodulen ansluts till 24 V AC-nätaggregat på plintarna G och G0, se *Figur 8*.

Anslut spjällmodul till master-enhet

Spjällmodulen ansluts till master-enheten med RS485-kommunikationskabel, se *Figur 8* och *Figur 9*. En skärmad, dubbeltvinnad RS485-kabel med två trådar rekommenderas.

Kabeln ansluts till A- och B-plintarna på master-enhet och spjällmodul, se *Figur 9*. Kabelskärmen kan inte anslutas till någon plint inuti SCS-S2-enheten, så den måste hanteras externt när spjällmoduler kedjekopplas.



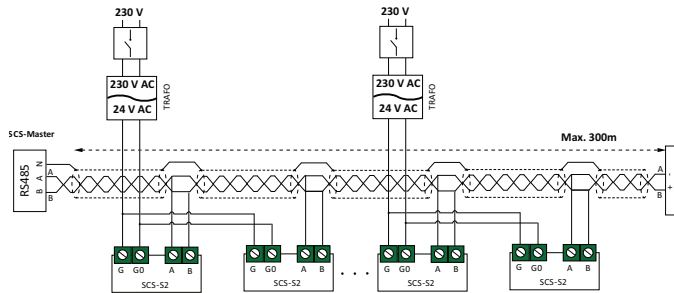
Figur 8 Anslutning till ström och kommunikation

Dubbla plintar

De dubbla plintarna i enheten (Figur 8) används när två eller flera enheter kopplas ihop enligt Figur 9. Både kommunikationskabel och kablar för strömförsörjning kan anslutas till de övre/eller nedre plintarna för enkel installation.

Anslut spjällmodul till spjällmodul

När en spjällmodul ansluts till en annan spjällmodul, ansluts G till G, G0 till G0 (strömförsörjning), A till A och B till B (kommunikation, RS485), se Figur 8 och Figur 9.



Figur 9 Spjällmoduler anslutna till en masterenhet och extern strömförsörjning.

Anslut spjällmodul till temperaturgivare

Upp till två temperaturgivare per SCS-S2 är tillåtet. Vid behov kan de två givarna ha separata tröskelvärden för temperaturlarm.

Tröskelvärdena ställs in i master-enheten.

Notera! Om en temperaturgivare används på AI1 kan inte en rökdetektor användas, och om en temperaturgivare används på en AI4 kan inte en VAV (0-10 V) spjällmotor användas.

Fabriksåterställning

Enheten kan återställas till fabriksinställningarna via knappen, se Figur 4.

För att återställa enheten:

1. Håll in knappen i 10 sekunder. LED 1 (Figur 4) blir röd.
2. Släpp knappen.
3. Tryck in och släpp knappen 3 gånger inom 10 sekunder.
4. LED 1 blinkar 3 gånger för att bekräfta fabriksåterställningen.



Härmed deklarerar Regin att radioutrustning av typen SCS-S2 uppfyller direktivet 2014/53/EU.

SCS-S2 uppfyller EN IEC 60730-1 enligt klass A-kontroll.

Denna radioutrustningsenhet är godkänd för användning i alla länder i den Europeiska unionen.

Produkten är CE-märkt. Mer information finns på www.regincontrols.com.

Kontakt

AB Regin, Box 116, 428 22 Kållerød, Sverige
 Tel: +46 31 720 02 00, Fax: +46 31 720 02 50
www.regincontrols.com, info@regincontrols.com

DK INSTRUCTION SCS-S2

Caution! SCS-S2 kan ikke stoles på af hensyn til applikationens sikkerhed (f.eks. brandspjældfunktion). Sikkerheden skal være indeholdt i en anden funktion i systemet.

Caution! Læs og forstå instruktionerne, før produktet tages i brug.

Caution! Sørg for, at installationen overholder lokale sikkerhedsbestemmelser.

Caution! Inden installation eller vedligeholdelse skal strømforsyningen frakobles. Installation eller vedligeholdelse af denne enhed må kun udføres af kvalificeret personale. Producenten er ikke ansvarlig for eventuel skade eller personskade forårsaget af utilstrækkelige færdigheder under installationen eller gennem fjernelse af eller deaktivering af sikkerhedsanordninger.

Funktion

Denne SCS-S2 anvendes som spjældenhed for et enkelt spjæld i et røgkontrolsystem. Den fungerer med en masterenhet, hvor det meste af opsætningen af SCS-S2 foretages.

Med den variabeliste fra Regin, kan du som integrator bruge din egen masterenhet.

Spjældenheden har to analoge indgange, to digitale indgange, en analog udgang og to digitale udgang. Ind- og udgange anvendes f.eks. til spjældstyring, røgdetektor, temperaturfølere og VAV. Den kommunikerer via Modbus. En terminal bruges som jævnstrømsforsyning med en spænding på +19 V til en røgdetektor.

Der findes en app (**Regin:GO**) til Android og iOS, som kan bruges til at identificere, navngive og adressere spjældenhederne. Appen **Regin:GO** kan også bruges til at opgradere firmwaren. Hent appen **Regin:GO** i *App Store* (iPhone og iPad) eller *Google Play* (Android).

Tekniske data

Forsyningsspænding:	18-30 V AC (50-60 Hz), 22-26 V DC
Strømforbrug	2 VA, 2 W
Elektrisk beskyttelse	Klasse III
Beskyttelsesklasse, kabinet	IP44
Omgivende temperatur	-25 til +50 °C
Opbevaringstemperatur	-25 til +70 °C
Omgivende luftfugtighed	5-95 % relativ luftfugtighed (ikke-kondenserende)
Trådløs kommunikation	Bluetooth® Low Energy
Kommunikationsfrekvens	2,4 GHz
Antal kabelgennemføringer	8 store, 5 små
Anbefalet kabelstørrelse, kabelgennemføringer	Bemærk! Kun cirkulært kabel – Lille kabelgennemføring: 3-6 mm – Stor kabelgennemføring: 6-10 mm
Godkendt kabelareal	– Massiv/snoet kabel: -0,14-1,5 mm ² – Strandet kabel med bøsning: 0,25-1,0 mm ²
Anbefalet bredde på kabelbinder	Op til 2,8 mm
Mål, udvendigt (B x H x D)	167 x 110 x 46 mm

Materiale, (kabinet, bund og låg)	Polycarbonat (PC)
Materiale, kabelgennemføring	Termoplastisk elastomer (TPS-SEBS)

Specifikationer for røgdetektor

Antal røgdetektorer pr. SCS-S2-enhed	1
Forsyningsspænding:	+ 19 V DC, forsynes fra terminal DO1
Detektors statusområde	0-100 mA

Indgang og udgang

Analog indgang (AI)	2
Digital indgang (DI)	2
Analog udgang (AO)	1
Digital udgang (DO)	2
+19 V DC (DO1 på mærkat)	1

Analog indgang

Analog indgang	0-10 V eller PT1000
Nøjagtighed for indgang	± 1 % (0-10 V) ± 1 K (PT1000)
Måleområde, PT1000	-40 til +150 °C

Digital indgang

Digital indgang (DI)	Potentialfrie kontakter til/fra (til = lukket)
Udgang pull-up strøm	0,5 mA (maks. 2,5 V)

Analoge udgange

Analoge udgange	0-10 V
Belastningsimpedans, 0-10 V	Min. 10 kΩ
Præcision	± 1 %

Digital udgang

Konfiguration	Udgange af Mosfet-sænkningsstypen, 24 V vekselstrøm eller jævnstrøm, 2 A kontinuerlig
Udgangsstrøm	Maks. 2 A (i alt) ⚠ Caution! Dette er en ikke-beskyttet udgang. Strømovertæring vil ødelægge enheden

Kommunikationsportdata

Kommunikationsporte	1
Porttype	RS485, isoleret
Understøttede protokoller	Modbus
Modbusadresse	Til spjældenhederne skal Modbus-adresserne 4-60 anvendes. Hvis adresser uden for dette område bruges, vil masteren ikke finde enhederne.
Portisolering	Isoleret
Kommunikationshastighed, standard	9600 baud
Paritet	Lige, ingen
Stopbit	1
Kabellængde	Max. 300 m ¹

1. Der skal anvendes en repeater, hvis kabellængden er over 300 m

Installation

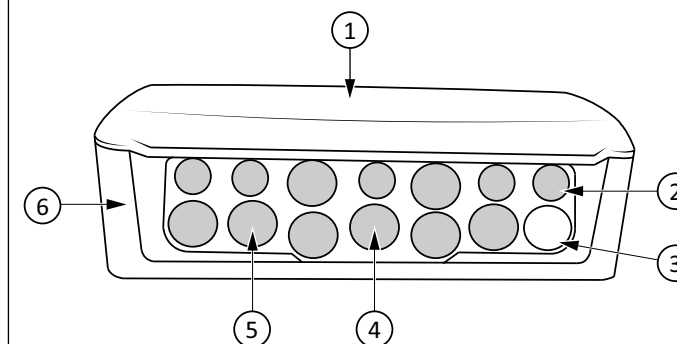


Figure 1 1: Låg, 2: Kabelgennemføringssamling, 3: LED, 4: Kabelgennemføring, 5: Bløde del af kabelgennemføring, 6: Kabinet

Sådan tilsluttes og installeres kablerne i enheden (Figure 2):

1. Lav et hul, der er mindre end kabeldiameteren, gennem den bløde del af kabelgennemføringen (se Figure 1) med en rund genstand, f. eks. en stjerneskruetrækker eller en syl.

⚠ **Caution!** Sørg for, at hullet er mindre end kabeldiameteren. Det bløde materiale i kabelgennemføringen er beregnet til at fungere som tætning ind mod kablet, og hvis hullet er for stort, vil enheden ikke være beskyttet mod fugt og snavs.

2. Skub kablet igennem.
3. Fastgør kablerne i kabinettet med en kabelbinder omkring kabelholderen. Bredden på kabelbinderen kan være op til 2,8 mm.

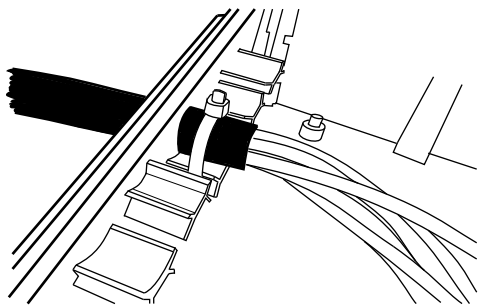


Figure 2 Fastgør kablet med en kabelbinder

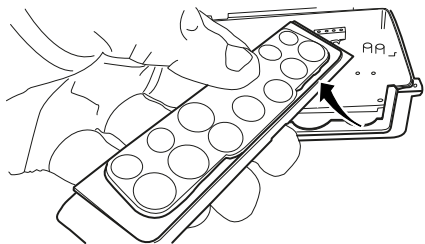


Figure 3 Kabelgennemføringssamlingen kan fjernes fra kabinettet

Caution! Hvis der laves et hul i en kabelgennemføring, og kablet tages ud, bevarer enheden ikke sin IP-klasse.

Montering

1. Monter spjældenheden på et stabilt, vibrationsfrit underlag. Den kan monteres vandret med låget opad (nr. 1 i *Figure 1*) eller lodret, så kabelgennemføringssamlingen (pos. 2 i *Figure 1*) på enheden peger nedad.
2. Se illustrationen af ledningsføringen nedenfor.
3. Tænd for enheden.

Adressering

For at enheden kan fungere i et røgkontrolsystem, skal det have en Modbus-adresse. Adresseringen af spjældenheden foretages på masterenheden eller med appen Regin:GO på en telefon eller tablet.

Adgang, betjening og indstilling i Regin:GO app

Adgang til og aktivering af funktioner og indstillinger i Regin:GO app kræver en gyldig adgangskode. Se nedenstående liste over adgangsrettigheder.

Administrator – adgangskode: Admin

- Opdater firmware
- Nulstil til standardværdier
- Gem og importér lokal konfiguration
- Skift adgangskode for alle brugere
- Læs og skriv værdier for enhedens navn og adresse

Service – Service – adgangskode: Service

- Nulstil til standardværdier, der accepteres af Regin:GO applikationen
- Gem og importér lokal konfiguration
- Skift adgangskode på dette brugerniveau
- Aflæs værdier, der er bestemt af Regin:GO applikationen

Operatør – Operator (Operatør) – adgangskode: Operator

- Nulstil til standardværdier, der accepteres af Regin:GO applikationen
- Gem og importér lokal konfiguration
- Skift adgangskode på dette brugerniveau
- Aflæs værdier, der er bestemt af Regin:GO applikationen

Gæst – Guest (Gæst) – adgangskode: Ikke relevant

- Aflæs værdier, der er bestemt af Regin:GO applikationen

Note! Sørg for at ændre adgangskoden efter første Adminlogin.

Adressering med Regin:GO app

Adressering af spjældenheder med Regin:GO app kan udføres direkte eller via tilsluttede enheder, når masterenheden er i installationstilstand.

1. Start Regin:GO app på din telefon eller tablet
2. Vælg enheden på listen over enheder i Regin:GO app (serienummeret findes på listen over enheder samt på enheden).
3. Log på app Regin:GO som *Administrator*. Brug adgangskoden **Admin**.
4. Klik på **Kommunikation** i Regin:GO-appen.
5. Indtast den ønskede adresse for enheden. Adressen skal være mellem 4 og 60.
6. Bekræft ændringerne i dialogboksen Gennemse ændringer.

Note! Modbus-adressen skal være i området 4-60. Hvis den ligger uden for dette område, kan masterenheden ikke finde spjældenhederne.

Identificer spjældenheder

It is useful to be able to identify which unit is which, when they are installed in a building.

Når den er identificeret, begynder LED-indikator 1 på enheden at blinke, se *Figure 4*.

Identifikation med Regin:GO app

1. Start Regin:GO appen. Der vises en liste over alle tilgængelige enheder inden for rækkevidde.
2. Klik på knappen **[Identificer]** for den enhed på listen, som du vil identificere
3. LED-indikator 1 på enheden blinker i ca. fem (5) sekunder, se *Figure 4*.

Identifikation af enhed i Regin:GO app

Det er muligt at identificere en fysisk enhed på enhedslisten i appen Regin:GO. Det kan gøres enten med en ikke-adresseret enhed (lige fra kassen), eller når masterenheden er i **installationstilstand**.

1. Start appen Regin:GO på din telefon eller tablet, og find enheden på siden Enhedsliste.
2. Tryk på knappen på enheden, se *Figure 4*
3. Enheden identificeres i appen Regin:GO ved hjælp af en blinkende ramme omkring enheden på enhedslisten

Note! Hvis den blinkende ramme omkring enheden ikke vises, skal du forsøge at swipe ned på enhedslisten for at opdatere den.

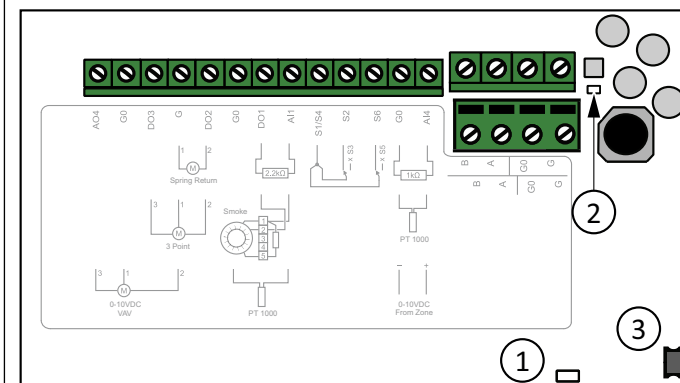


Figure 4 Inde i SCS-S2. 1 = LED-indikator for identifikation, 2 = LED-indikator for kommunikation, 3 = Trykknop

LED-indikator

Der er to LED-indikatorer på enheden med følgende lysfarver og -mønstre:

LED-nummer	Farve	Mønster	Beskrivelse
1 (set fra ydersiden af kabinettet)	Blå	Stabil	Bluetooth®-forbindelse aktiv
		Gul	Stabil
	Rød	Blinker	Enhed identificeret
		Stabil	Alarm
	Grøn	Blinker	Nulstilling til fabriksindstillinger
		Stabil	Alt er OK
	Magenta	Stabil	Enhed er offline
	Hvid	Stabil	Enheden har adresse 1 og er klar til at blive adresseret i systemet
Blinker		Knappen på enheden er blevet aktiveret og enheden venter på at blive adresseret	
2	Gul	Blinker hurtigt	Kommunikation i gang

Ændring af enhedsnavn i Regin:GO app

1. Start Regin:GO app på din telefon eller tablet
2. Vælg enheden på enhedslisten i Regin:GO app (serienummeret er på enhedslisten såvel som på enheden).
3. Log på app Regin:GO som *Administrator*. Brug **Admin** som adgangskode.
4. Klik på **Enhed** i Regin:GO app.
5. Rediger det angivne **Produkt**navn
6. Bekræft ændringerne i dialogboksen **Gennemse ændringer** dialog

Tilføjelse af eksterne strømforsyninger i Regin:GO applikationen

I et røgkontrolsystem med en masterenhed og et antal spjældenheder f. eks. med spjæld, vil der være et spændingsfald i ledningen, hvilket gør det nødvendigt at tilføje eksterne strømforsyninger mellem spjældenheder. Spændingsfaldet afhænger af ledningens modstand, tykkelse og længde samt strømforbruget i spjældenhederne med de

tilsluttede spjæld/detektorer/følere. Se *Figure 9* for at få vist et eksempel på en systemopsætning.

Spændingsfaldet (ΔU) må maksimalt være 10 %, før der skal tilføjes en ekstern strømforsyning. For at afgøre, hvor mange eksterne strømforsyninger der behøves, skal der udføres beregninger for spændingsfaldet. Et eksempel er vist nedenfor.

Eksempel på beregning:

Følgende formler bruges:

$$\Delta U = R \cdot I$$

$$I = P/U$$

$$R = CU \cdot L/q$$

hvor

- R, modstand i ledningen (Ω)
- I, strøm i alt (A)
- U, strømforsyning (V AC)
- P, strømforbrug (VA)
- CU, kobberlednings modstand
- L, længde på ledning
- q, lednings tværsnitsareal

Eksempel på beregning:

- U = 24 V AC
- P_{spjældenhed} = 2 VA
- P_{spjæld akt.} = 7 VA
- CU = 0,017 Ω mm²/m ved 20 °C
- L = 112 m (*2, da kablet går frem og tilbage)
- q = 0,75 mm²

Note! Bemærk at modstanden i kobber er temperaturafhængig. I dette eksempel har vi beregnet værdien ved 20 °C.

1. Beregn først den strøm, der bruges i spjældenheden og spjældet ved hjælp af formlen $I = P/U$: $I_{\text{spjældenhed}} = 2 / 24 = 0,0833$ A, $I_{\text{spjæld akt.}} = 7 / 24 = 0,2917$ A

Den samlede strøm er $I_{\text{spjældenhed}} + I_{\text{spjæld}} = 0,3750$ A

Note! I dette eksempel er der kun én spjældenhed med ét spjæld. Hvis der er flere enheder, skal strømmen for alle enheder beregnes og lægges til den samlede strøm.

2. Beregn modstanden i ledningen: $R = CU \cdot (2 \cdot L)/q$

$$R = 0,017 \cdot (2 \cdot 112) / 0,75 = 5,077$$

3. Beregn spændingsfaldet i V ($\Delta U = R \cdot I$). $\Delta U = 5,077 \cdot 0,3750 = 1,9038$

4. Beregn spændingsfaldet i % ($\Delta U/U \cdot 100$). $\Delta U (\%) = 1,9038 / 24 \cdot 100 = 7,93$ %

Konklusion: Ingen behov for ekstern strømkilde med en enhed i dette eksempel, da spændingsfaldet ΔU på 7,93 % er mindre end 10 %.

Ledningsføring

Spjældenheden har to analoge indgange, to digitale indgange, en analog udgang og to digitale udgang. Indgang og udgang anvendes til spjældstyring, røgdetektor, temperaturfølere og VAV. Ved levering er enheden udstyret med en modstand på 2,2 k Ω mellem terminal DO1 og AI1 og en modstand på 1 k Ω mellem GO og AI4. Ind- og udgang konfigureres fra masterenheden.

Tilslut spjældaktuator til spjældenhed

En spjældaktuator pr. SCS-S2 er tilladt. Spjældet reguleres enten af en aktuatur med fjederretur, en 3-punkts aktuatur eller en VAV-aktuatur på 0-10 V. Når der anvendes en aktuatur, skal der tilføjes endestopkontakter til terminal S1/S4, S2 og S6. Se ledningsføring i *Figure 5*.

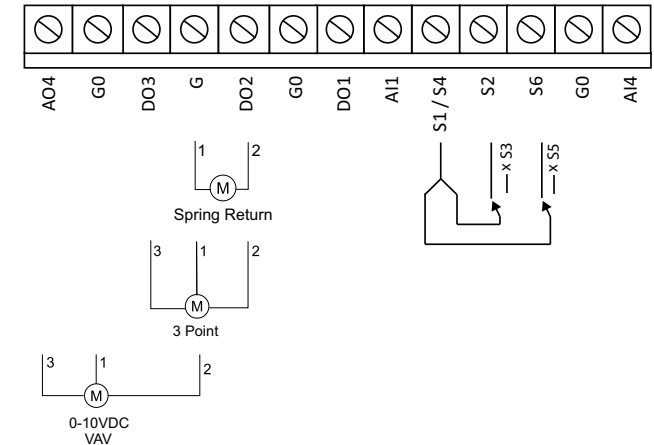


Figure 5 Aktuatore og endestopkontakter

Tilslut røgdetektor til spjældenhed

En røgdetektor pr. SCS-S2 er tilladt. Fjern modstanden på 2,2 k Ω fra spjældenheden, og flyt den til røgdetektoren. Digital udgang DO1 fungerer som +19 V DC forsyning til røgdetektoren.

AI1 bruges til aflæsning af detektorens status 0-100 mA og er kortslutnings sikker. Se ledningsføring i *Figure 6*.

Note! Dette ledningsdiagram er gældende når Regin røgdetektor SDD... bruges. Se ledningsdiagrammet for røgdetektoren, hvis der anvendes en anden type røgdetektor.

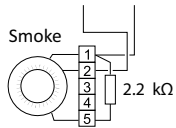
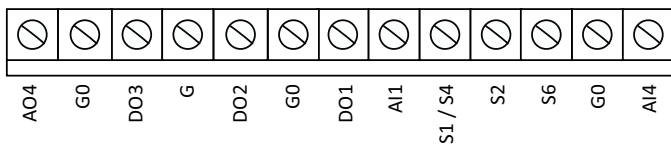


Figure 6 Røgdetektor tilsluttet strøm og analog indgang I

Alternative ledningsføringer

Temperaturføler og modstand kan føjes til spjældenheden i henhold til ledningsdiagrammet Figure 7. Modstanden på 1 kΩ fjernes, når der tilsluttes temperaturføler eller VAV-signal på 0-10 V fra området.

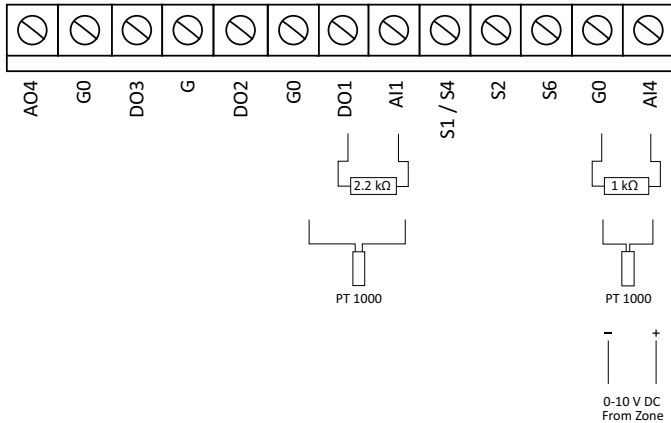


Figure 7 Alternative ledningsføringer

Tilslut spjældenhed til strøm

Spjældenheden tilsluttes en 24 V AC forsyning i terminal G og G0, se Figure 8.

Tilslut spjældenhed til masterenhed

Spjældenheden tilsluttes masterenheten med et RS485 kommunikationskabel, se Figure 8 og Figure 9. Et skærmet, dobbeltsnoet, totrådet RS485 kabel anbefales.

Kablet tilsluttes A og B terminalen i masterenheten og spjældenheden, se Figure 9. Kabel skærm kan ikke tilsluttes terminaler inde i SCS-S2-enheden, håndteres eksternt ved tilslutning af spjældenheder som perler på en snor.

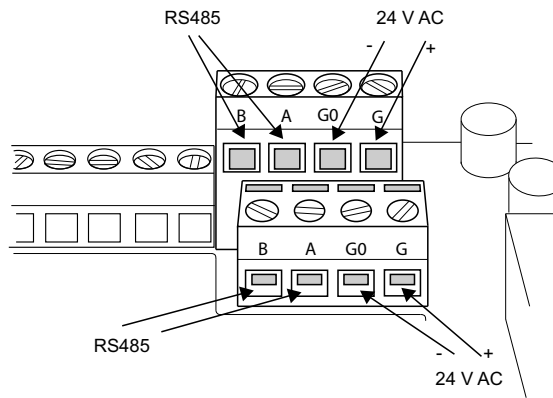


Figure 8 Tilslutning til strøm og kommunikation

Dobbelt terminal

De dobbelte terminaler i enheden (Figure 8) anvendes, når to eller flere enheder er tilsluttet hinanden som vist i Figure 9. Både kommunikationskablet og kablet til strømforsyningen kan tilsluttes i de øverste og/eller nederste terminaler for nem installation.

Tilslut spjældenhed til spjældenhed

Når en spjældenhed tilsluttes en anden spjældenhed, tilsluttes G til G, G0 til G0 (strømforsyning), A til A og B til B (kommunikation, RS485), se Figure 8 og Figure 9.

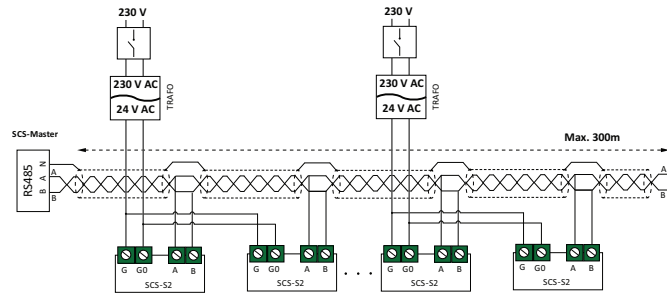


Figure 9 Spjældenheder tilsluttes en masterenhed og ekstern strømforsyning.

Tilslut spjældenhed til temperaturføler

Der må tilsluttes op til to temperaturfølere pr. SCS-S2. De to følere kan om nødvendigt have separate temperaturalarmgrænser. Grænserne indstilles i masterenheten.

Note! Hvis der anvendes en temperaturføler på AI1, kan der ikke anvendes en røgdetektor, og hvis der anvendes en temperaturføler på AI4, kan der ikke anvendes en VAV-spjældaktuator (0-10 V).

Nulstilling til fabriksindstillinger

Det er muligt at nulstille enheden til fabriksindstillingerne med knappen, se Figure 4).

Sådan nulstilles enheden:

1. Tryk på knappen, og hold den inde i 10 sekunder. LED 1 (Figure 4) lyser rødt.
2. Slip knappen
3. Tryk på og slip knappen 3 gange inden for 10 sekunder
4. LED 1 blinker 3 gange for at bekræfte nulstilling til fabriksindstillinger



Hermed erklærer Regin, at radioudstyrstypen SCS-S2 er i overensstemmelse med direktiv 2014/53/EU.

SCS-S2 overholder EN IEC 60730-1 som en klasse A-kontrol.

Dette radioudstyr er godkendt til brug i alle lande inden for EU.

Dette produkt er CE-mærket. Flere oplysninger er tilgængelige på www.regincontrols.com.

Kontakt

AB Regin, Box 116, 428 22
Kållerød, Sverige Tlf.: +46 31.720 02 00, Fax: +46 31.720 02 50
www.regincontrols.com, info@regincontrols.com