



## RVAR5-24A

Valve actuator, 24 V supply voltage and 0(2)...10 V DC control

Valve actuator for control of Regin's MMV and MMR valves. The actuator has automatic self stroke adjustment and can be operated manually.

- ✓ Protection class IP54
- ✓ Stroke 10...30 mm
- ✓ Manual operation
- ✓ Automatic stroke adjustment
- ✓ Position indication
- ✓ Easy to mount on the valve

### Stroke and end position calibration

Stroke and end position calibration is not necessary due to a construction utilizing end position stops. When the valve reaches the end position, a force is generated. Once the force of the actuator reaches a predefined level, the limit switch automatically halts the drive motor.

### Position indications

There are two position indications for the stem, one red and one blue. They can be used for end position indication, since they accompany the stem to its end position. They can also be switched to indicate whether the valve is opening or closing.

### Manual override

The valve position can be changed manually using the knob located in the actuator lid.

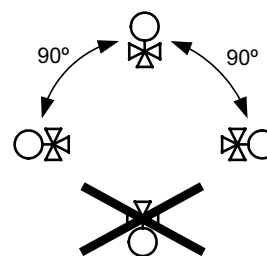
### Indications

The actuator has two LEDs with indications according to the table below.

Indication	Description
Green steady light	Actuator working properly
Green light quick flashing	Test run in progress
Green light slow flashing	The setting was changed during the operation. The new setting will be valid after the next power on.
Red and green steady light	End position reached
Red light slow flashing	Override input mode Operation faulty, either the improper installation or the valve stroke lost
Red light quick flashing	Manual override mode

### Installation

The valve and actuator should never be mounted at an angle of more than 90°.



## Technical data

<b>Supply voltage</b>	24 V AC/DC
<b>Control signal</b>	0...10 V DC, 2...10 V DC or 4...20 mA. For 4...20 mA control signal, a 500 Ω resistor must be mounted parallel to the input signal, i.e. between terminals 2 and 3. SW3 should be in position 1 (On).
<b>Ambient temperature</b>	0...50
<b>Storage temperature</b>	-40...80 °C
<b>Ambient humidity</b>	10...90 % RH
<b>Protection class</b>	IP54

## Models

Article	Max. power consumption	Force	Stroke	Stroke time
RVAR5-24A	5.1 W / 13.9 VA	500 N	10...30 mm	1.5 s/mm

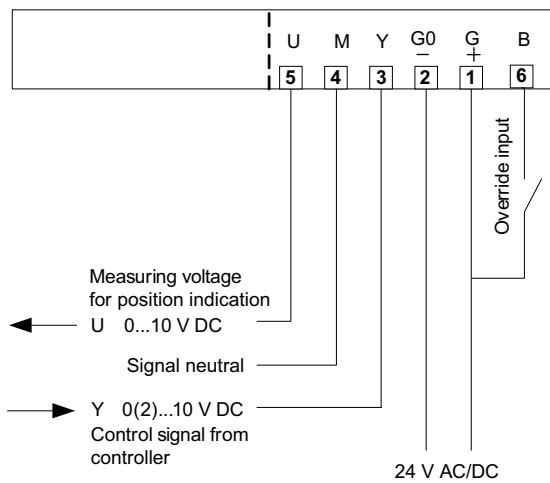
## CE

This product is CE-marked. More information is available at [www.regincontrols.com](http://www.regincontrols.com).

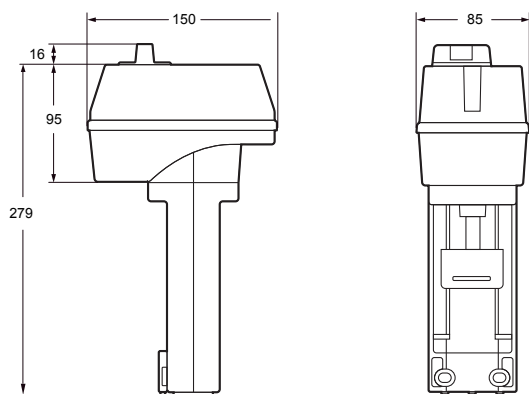
## DIP switches

SW	1 (On)	0 (Off)
SW1	Spindle down when the valve is closed	Spindle up when the valve is closed (FS=factory setting)
SW2	LOG	LIN (FS)
SW3	Y = 2...10 V DC	Y = 0...10 V DC (FS)
SW4	Reverse operation	Direct operation (FS)
SW5	Y signal split in accordance with the setting of SW6	No split function (FS)
SW6	5(6)...10 V = 0...100%	0(2)...5(6) V = 0...100% (FS)

## Wiring



## Dimensions



Measurements in mm unless otherwise specified.