

DISCLAIMER

The information in this manual has been carefully checked and is believed to be correct. Regin however, makes no warranties as regards the contents of this manual and users are requested to report errors, discrepancies or ambiguities to Regin, so that corrections may be made in future editions. The information in this document is subject to change without prior notification.

The software described in this document is supplied under license by Regin and may be used or copied only in accordance with the terms of the license. No part of this document may be reproduced or transmitted in any form, in any fashion, electronically or mechanically, without the express, written permission of Regin.

COPYRIGHT

© AB Regin. All rights reserved.

TRADEMARKS

EXOdesigner, EXOreal, EXO4, EXOline, EXO4 Web Server, Regio and Regio tool[®] are registered trademarks of AB Regin.

Windows, Windows 2000, Windows XP, Windows Vista, Windows 7, Windows 8, Windows 10 and Windows Server 2003 are registered trademarks of Microsoft Corporation.

Some product names mentioned in this document are used for identification purposes only and may be the registered trademarks of their respective companies.

February 2016

Document revision: 1.5

The functions described in this manual are handled using Regio tool[®] version 1.5-1-00.

Table of contents

CHAPTER 1 ABOUT THE MANUAL	5
Terms.....	5
More information.....	5
CHAPTER 2 INTRODUCTION TO REGIO	6
REGIO ZONE CONTROLLERS.....	6
REGIO MIDI.....	7
Application examples	7
CHAPTER 3 MODELS	8
Design.....	9
CHAPTER 4 TECHNICAL DATA	10
DIMENSIONS	10
COMMUNICATION	10
Accessories for Regio Midi	11
CHAPTER 5 INSTALLATION PREPARATIONS	12
DIFFERENT VERSIONS OF TERMINALS AND PINS	12
USING LABELS.....	12
CONFIGURATION.....	13
Setting of DIP switches (only models without display)	13
Models with display.....	14
CALIBRATION.....	14
TROUBLESHOOTING	14
CHAPTER 6 INSTALLATION	15
MOUNTING	15
WIRING	15
Measurement and testing during installation.....	17
Wiring for basic models with 3 universal outputs (RC-C3H, RC-C3, RC-C3O).....	18
Wiring for model for CO ₂ control (RC-C3DOC)	21
Wiring for models for CO ₂ control and fan control (RC-C3DFOC)	23
Wiring for models for fan control (RC-CF, RC-CFO, RC-CDFO).....	25
Wiring for models for three-point control (RC-CTH, RC-CT, RC-CTO, RC-CDTO)	28
CHAPTER 7 CONTROL MODES	30
DIFFERENT CONTROL MODES	30
ADDITIONAL FEATURES.....	37
CHAPTER 8 OPERATING MODES	40
DIFFERENT OPERATING MODES	40
ACTIVATION OF THE DIFFERENT OPERATING MODES.....	42
CHAPTER 9 SETPOINT CALCULATION	45
CHAPTER 10 ACTUATORS	47
CHAPTER 11 FAN CONTROL	49
CHAPTER 12 SPECIAL FUNCTIONS	53
CHANGE-OVER FUNCTION	53
FORCED VENTILATION	53
CONDENSATION SENSOR.....	53
FROST PROTECTION	54
HIGH/LOW ROOM TEMPERATURE ALARM.....	54

LIGHTING CONTROL.....	54
CHAPTER 13 INDICATIONS	55
CHAPTER 14 DISPLAY HANDLING	56
DISPLAY INDICATIONS.....	56
PARAMETER MENU	57
CHAPTER 15 MEMORY FUNCTION ON POWER FAILURE.....	64
CHAPTER 16 MODBUS SIGNAL TYPES.....	65
CHAPTER 17 MODBUS SIGNALS	67
DISCRETE INPUTS.....	67
COIL STATUS REGISTER.....	68
INPUT REGISTER	69
HOLDING REGISTER.....	70
CHAPTER 18 BACNET SIGNAL TYPES.....	80
CHAPTER 19 BACNET SIGNALS	81
ANALOGUE INPUTS	81
ANALOGUE VALUES.....	81
BINARY INPUTS	83
BINARY VALUES.....	83
LOOP	84
MULTISTATE INPUTS	84
MULTISTATE VALUES.....	84
DEVICE.....	85

Chapter 1 About the manual

This manual describes the Regio Midi range of controllers.

Terms

Term used in the manual:

FS Factory setting

More information

More information about Regio Midi can be found in:

- **Regio tool[®] Manual** – Manual of how to configure the controllers

The information is available for download from Regin's website, www.regincontrols.com.

The document **Regio in EXO Projects**, containing information on how to use Regio in the EXO system, can be downloaded from Regin's FTP server. It is intended for our system customers who need to share files with us, e.g. at technical support. Contact one of our sales engineers to get access to the FTP server.

Chapter 2 Introduction to Regio

Regio zone controllers

Regio is a wide series of room controllers which handle everything from heating, cooling and ventilation to lighting, humidity, CO₂ monitoring and blinds. Regio can be used for creating everything from stand-alone systems for managing the functions in one room, to large, integrated systems with a comprehensive SCADA-system.

Regio RCP is capable of Ethernet communication using EXOline via TCP/IP. Temperature and other functions in a room can be individually controlled from a PC connected to the office network.

Mini, Midi, Maxi

The Regio controllers are divided into three different series; Mini, Midi and Maxi.

Mini (RC) are 24 V AC stand-alone controllers for controlling heating and cooling in a room. The series consists of different room control units and a relay box for fan control. The control units are pre-programmed to handle different functions and can easily be configured. They have a built-in temperature sensor, but an external temperature sensor can also be connected.

The Midi controllers (RC-C) have the same characteristics as Mini but can be used either as stand-alone units or integrated into a system with communication. The controllers are connected to bus lines such as Modbus, BACnet (only models with display) or Regio's own bus system EXOline, to communicate with a central SCADA-system via RS485. They can also be configured for a specific application with Regio's software tool Regio tool[®].

Maxi (RCP) are 230 V AC freely programmable room controllers for handling all functions in a zone system. The controllers are pre-programmed but can be configured using Regio tool[®]. Different room units (RU-units) with built-in temperature sensor are connected to the controllers. Maxi can be connected to standardised bus systems like Modbus or EXOline, with communication via TCP/IP or RS485, and integrated with a central SCADA-system. Using EXO4 Web Server, all functions can be handled from a PC with Internet Explorer and no room units are needed. This will help lower investments.

Applications

The Regio controllers have an appealing design and functionality. They are suitable in buildings where you want optimal comfort and low energy consumption, for example offices, schools, shopping centres, airports, hotels and hospitals.

Mounting

The modular design with a separate bottom plate for wiring makes the whole Regio series easy to install and commission. The controllers are mounted directly on the wall or on a wallbox.

Regio Midi

Communication

The controllers can be connected to a central SCADA-system via RS485 (EXOline, BACnet* or Modbus) and configured for a particular application using the configuration tool Regio tool[®], which can be downloaded free of charge from Regin's homepage www.regincontrols.com. See the manual for Regio tool[®] for more information.

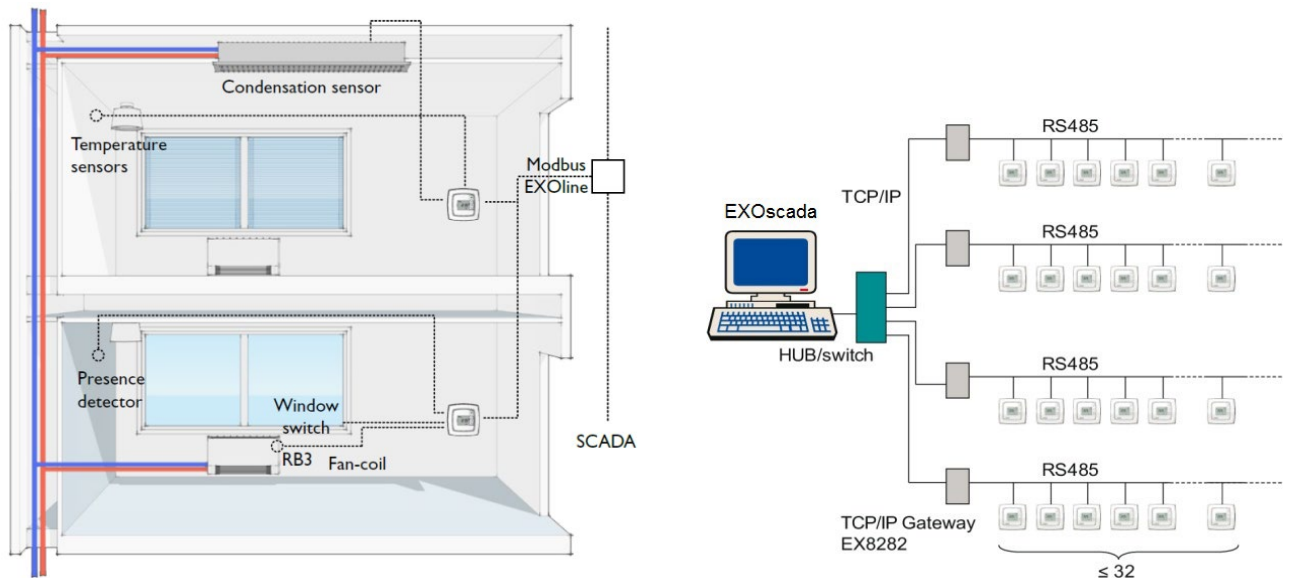
* BACnet is only available in models with display

Control modes

The controllers can be configured for different control modes/control sequences:

- Heating
- Heating or cooling via the change-over function
- Heating/Heating
- Heating/Cooling
- Heating/ Cooling with VAV-control and forced supply air function
- Heating/Cooling with VAV-control
- Cooling
- Cooling/Cooling
- Heating/Cooling/VAV (only available in ...3-models, except C3DFOC)
- Heating/Heating or Cooling via change-over (only available in ...F-models)
- **Change-over with VAV**

Application examples



Chapter 3 Models

There are 12 different Midi room controllers. They can be divided according to type of control in basic models, models for fan control and models for three-point control.

- Basic models** Basic models control analogue actuators, thermal actuators or On/Off actuators with spring return.
- ...F-models** Like basic models, models for fan control (...F-models) control analogue, thermal and spring return actuators. With the exception of RC-C3DFOC, they also have a button/fan switch and three digital outputs for control of a three-speed fan (fan coil, etc.). RC-C3DFOC has EC fan control on analogue output UO3.
- ...T-models** Models for three-point control (...T-models) have four digital outputs for control of two three-point actuators.
- ...3-models** The ...3-models have an additional output for control of either an On/Off damper, analogue forced ventilation damper, an analogue EC-fan or an analogue third damper.

Models		Display	Occupancy button	Fan control	3-point control	Setpoint knob	Hidden setpoint	CO ₂ input	EC fan control (AO) follow cooling/heating	Control of a third sequence (damper)
Basic models without fan control/three-point control (...3-models)	RC-C3H						•		•	•
	RC-C3					•			•	•
	RC-C3O		•			•			•	•
	RC-C3DOC	•	•					•	•	•
Models for fan control (...F-models)	RC-CF			•		•				
	RC-CFO		•	•		•				
	RC-CDFO	•	•	•						
	RC-C3DFOC	•	•	•				•	•	
Models for three-point control (...T-models)	RC-CTH				•		•			
	RC-CT				•	•				
	RC-CTO		•		•	•				
	RC-CDTO	•	•		•					

Table 1. The Midi models and their functions

Design

RC-C3H, RC-CTH



RC-C3, RC-CT



RC-C30, RC-CTO



RC-CDTO, RC-C3DOC



RC-CF



RC-CFO



RC-CDFO, RC-C3DFOC



Chapter 4 Technical data

Supply voltage.....	18...30 V AC, 50...60 Hz
Internal consumption	2.5 VA
Ambient temperature	0...50°C
Ambient humidity.....	Max 90 % RH
Storage temperature.....	-20...+70°C
Terminal blocks	Lift type for cable cross-section 2.1 mm ²
Protection class	IP20
Material casing	Polycarbonate, PC
Colour	
Cover	Polar white RAL9010
Bottom plate	Light gray
Weight	110 g

Dimensions

Models without setpoint knob	95 x 95 x 28 mm
Models with setpoint knob	95 x 95 x 31 mm

Communication

Type.....	RS485 (EXoline or Modbus with automatic detection or BACnet*)
Communication speed	9600, 19200, 38400 bps (EXoline, Modbus and BACnet*) or 76800 bps (BACnet* only)
Functions as.....	
Modbus.....	RTU Slave
BACnet.....	MS/TP
Modbus.....	8 bits, 1 or 2 stop bits. Odd, even (FS) or no parity
Galvanically isolated port	No

* BACnet is only available in models with display

Memory

Non-volatile (EEPROM)All settings and configurations are preserved
See also *Chapter 15, Memory function on power failure.*

Built-in temperature sensor

Type	NTC, linearised, 15 kOhm
Measuring range	0...50°C
Accuracy	+/-0.5°C at 15...30°C

Models with display

Display type.....LCD with background illumination

LVD, Low Voltage Directive

This product conforms with the requirements of European LVD standard IEC 60 730-1.

EMC emission and immunity standard

This product conforms to the requirements of the EMC Directive 2004/108/EC through product standards EN 61000-6-1 and EN 61000-6-3.

RoHS

This product conforms to the Directive 2011/65/EU of the European Parliament and of the Council.

Inputs

AI1	PT1000-sensor, 0...50°C, accuracy +/- 0.1°C
UI	AI: PT1000-sensor, 0...100°C, accuracy +/- 0.2°C
.....	or AI2: 0...10 V
.....	or DI: see DI below
CI	Regin's condensation sensor, KG-A/1
DI	Closing potential-free contact connected to +C in one end

Outputs

DO	24 V AC, max 0.5 A
UO	DO:24 V AC, max 2.0 A or AO:0...10 V DC, max 5 mA
+C, power output for DI only	24 V DC, max 10mA, short circuit protected

For more information about inputs and outputs, see the chapter *Wiring*.

Accessories for Regio Midi

External temperature sensors.....	TG-R5/PT1000,TG-UH/PT1000,TG-A1/PT1000
Occupancy detector	IR24-P
Relay module for -F-models.....	RB3
Change-over	TG-A1/PT1000
Condensation sensor.....	KG-A/1
CO ₂ transmitter.....	CO2RT

The accessories are available from Regin. For more information, see the product sheets and instructions for each product, search via www.regincontrols.com.

Chapter 5 Installation preparations

Different versions of terminals and pins

In the summer of 2008, a new terminal type was introduced in the Regio controllers. The old terminal type is dark grey and intended for 1.3 mm pins. The new terminal type is light grey and intended for 1.1 mm pins. Confusion between a new and old bottom plate may lead to deficient contact. Therefore, it is important to use an old electronics unit together with an old bottom plate and a new electronics unit together with a new bottom plate.

Figures 1 and 2 show an example of the difference between the old and current terminal types (the number of terminals depends on the Regio model).

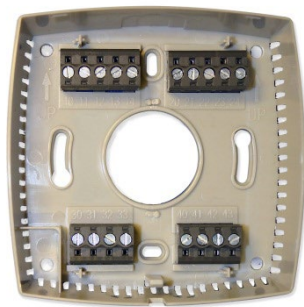


Figure 1. Old terminal type (1.3 mm pins)

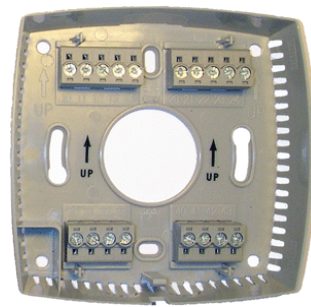


Figure 2. Current terminal type (1.1 mm pins)

Using labels

On the back of the electronics cassette, there is a set of labels which makes it easier to install large numbers of Midi controllers. By using the labels as carriers of information for the installation engineer, much time will be saved and you can keep wiring errors at a minimum.

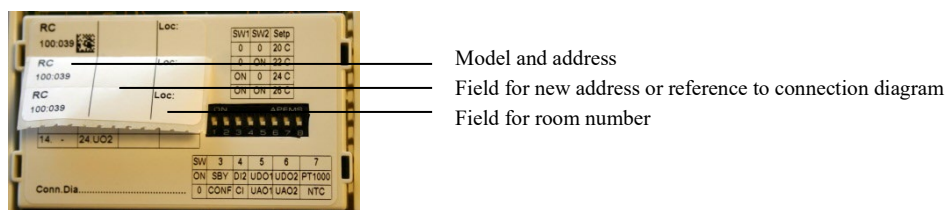


Figure 3. Label on the back of the controller

The three-piece label can be split and the parts can be fastened to the installation drawing and the bottom plate of the controller. The label carries information on the communication address etc., and has a note area where you can enter a reference number to the connection diagram.

The address on the sticker has a different meaning depending on what communication protocol is used.

Example 1 If the address on the sticker is 191:183 the following addresses are valid for the different communication protocols:

EXOline: PLA=191, ELA=183

Modbus: address=183

BACnet: device ID=191183 (low 4 figures=1183, high 3 figures=19), MS/TP MAC address=83*

Example 2 If the address on the sticker is 10:001 the following addresses are valid for the different communication protocols:

EXOline: PLA=10, ELA=1

Modbus: address=1

BACnet: device ID=10001 (low 4 figures=1, high 3 figures=1), MS/TP MAC address=1*

* BACnet is only available in models with display

Configuration

The controllers are normally configured using Regio tool[®]. The passwords for the various access levels are 1111 (log in as administrator) and 3333 (log in as operator). For more information, see the manual for Regio tool[®].

Models with a display can be configured via the parameter menu, but the easiest way to set parameters is via Regio tool[®].

Models without a display have DIP switches that should be set. See the section *DIP switches* below.

The computer running Regio tool[®] is connected to the back of the cassette with a RS232-to-RS485 converter, or alternatively a USB-to-RS485 converter. The adapter is connected to terminals 42(A) and 43(B). Use a 24 V AC trafo for supply voltage of the electronics cassette on terminals 10 and 11.

If you want to configure the unit, it is normally better to do this before sending the cassette to the installation site. The bottom plates with location and wiring information can be sent separately to the installation site for electric installation. For more information about configuration, see Part III, *Configuration*, below.

Setting of DIP switches (only models without display)

Models without display have eight DIP switches (SW1-8) for setting basic functions. They are found on the back of the electronics cassette.

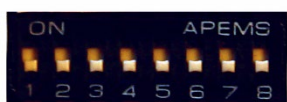


Figure 4. DIP switches

SW1-2

Basic setpoint (°C)	SW1	SW2
20	OFF	OFF
22 (FS)	OFF	ON
24	ON	OFF
26	ON	ON

Table 3. Setting of basic heating setpoint with DIP switch SW1 and SW2

See also the chapter *Setpoint calculation* for setting of SW1-2.

SW3

Occupied is the preset operating mode, SW3: OFF (FS). If you want the preset operating mode to be Stand-by, set SW3 in mode ON. For more information, see the chapter *Operating modes*.

SW4-8

Follow the tables in the chapter *Installation* for setting SW4-8.

Models with display

There are no DIP switches in models with display. For these models, the corresponding settings are made in the parameter menu in the display or using Regio tool[®], see the chapter *Display handling*.

Calibration

Calibration of a measured room temperature should be done under stable conditions.

Troubleshooting

The Manual/Auto function in Regio tool[®] makes it possible to test outputs. The output itself is not affected; only the software object that controls the output. This means that the built-in safety functions will not be disregarded.

The controllers have different indications which can be used for troubleshooting. See the section *Indications*.

Chapter 6 Installation

Mounting

Place the controller in a location that has a temperature representative for the room. A suitable location is approx. 1.6 m above floor level in a place with unobstructed air circulation. Remove the frame by depressing the locking tab in the lower edge of the cover with a screwdriver. See figure 5.

Next, gently pry the electronics cassette out by using the four rectangular screwdriver slots to lever against the edge of the bottom plate. See figure 6.

Note: Take care not to damage the electronics when inserting the screwdriver into the slots!

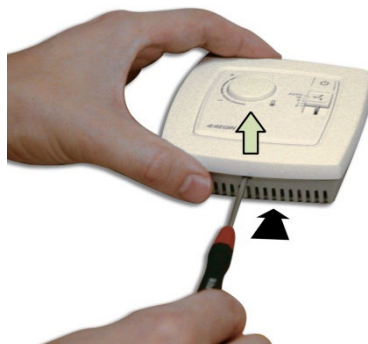


Figure 5.

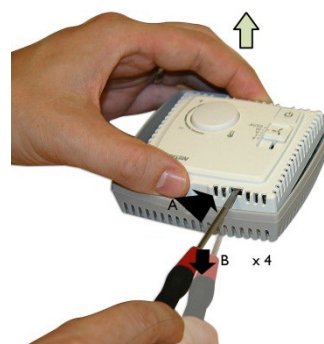


Figure 6.

The bottom plate with terminals has a number of fixing hole combinations. Select suitable holes and screw the bottom plate onto the wall or connection box, so that the arrows on the bottom plate point upwards. Do not tighten the screws too hard!

With surface-mounted cabling, break out suitable holes from the marks in the plastic.

Wiring

All units that share the same transformer and communication loop must use the same transformer-pole for G (terminal 10) and G0 (terminal 11). On the communication loop the A-terminal (terminal 42) should only be connected to another A-terminal and the B-terminal (terminal 43) to another B-terminal. Otherwise, the communication will not work.

The communication cable must be a screened twisted pair cable. The shield must be connected to G0 on one (and only one) Midi controller in each separate power supply loop with 24 V AC. If the length of the loop exceeds 300 m, a repeater is required. See figure 7.

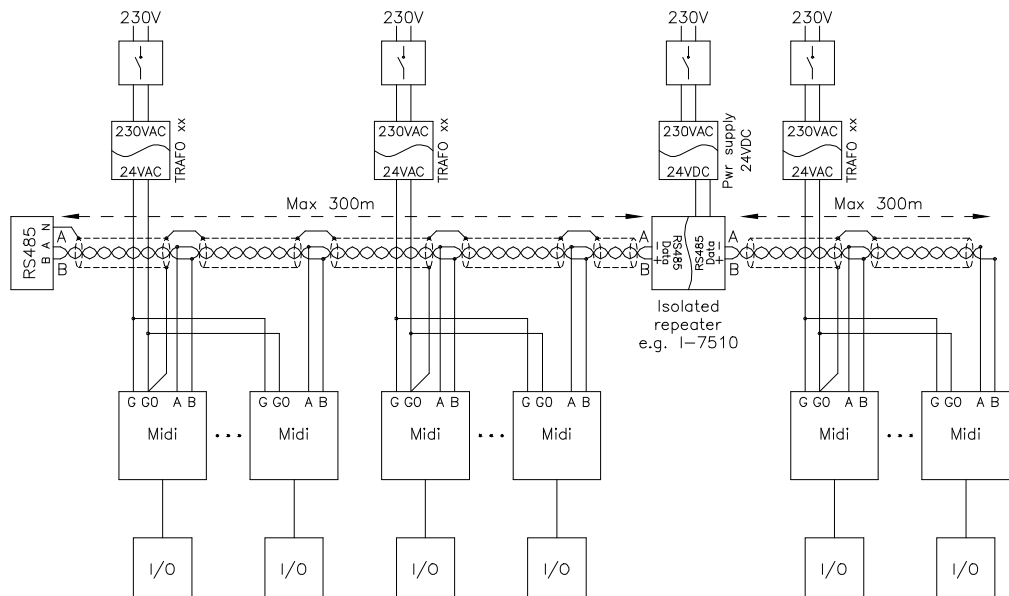


Figure 7.

The figure below shows the location of the terminals. The connection diagrams and tables on the following pages show the wiring for basic models, the model for CO₂ control, models for fan control and models for three-point control.

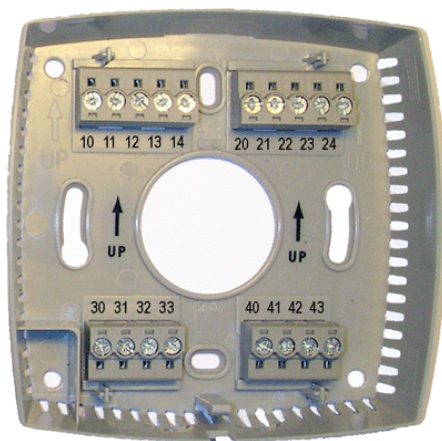
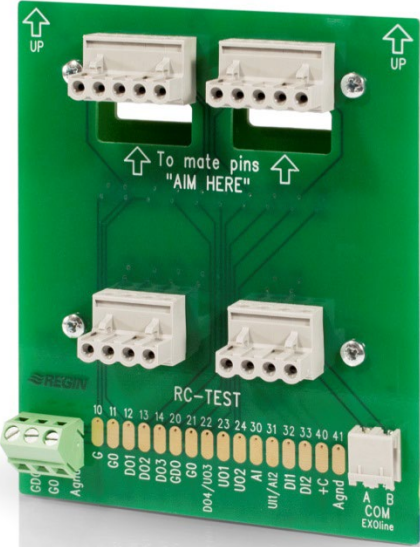


Figure 8. Bottom plate with terminals

For detailed information on connection of a communication cable to the Midi-controllers, see the manual *Regio in EXO Projects*.

Measurement and testing during installation



In order to make measurements and test the inputs/outputs of a Regio room controller during installation, Regin’s RC-TEST service adapter may be used.

Simply align the pins at the bottom of the RC-TEST with the terminals contained in the controller’s socket and then plug the Regio electronics cassette into the terminals at the top of the device. Testing takes place via a standard multimeter.

Wiring for basic models with 3 universal outputs (RC-C3H, RC-C3, RC-C30)

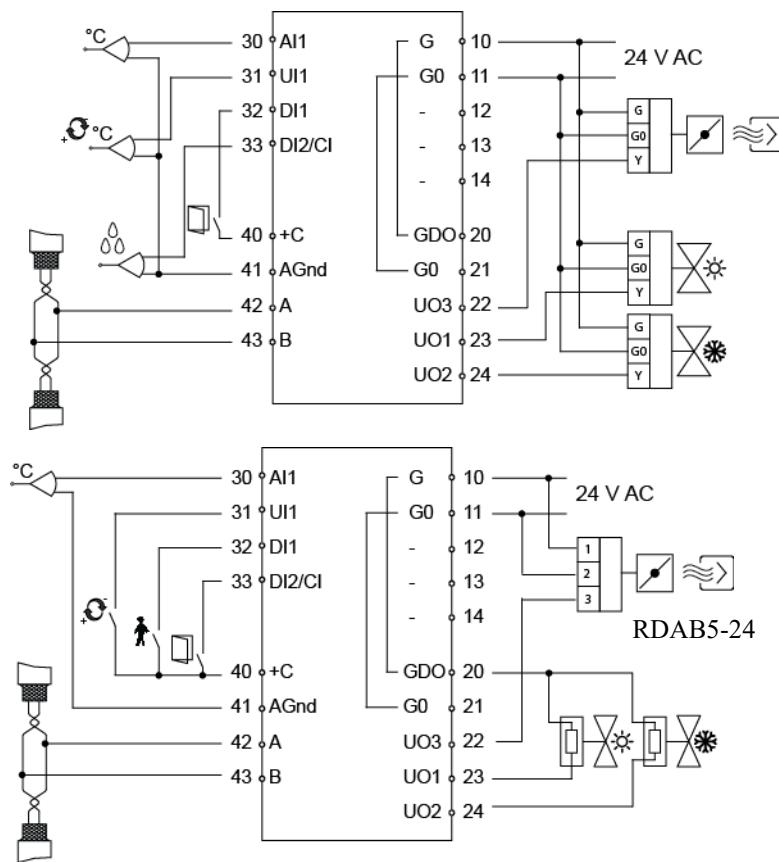


Figure 9. Connection diagrams for basic models with 3 universal outputs

Terminal	Designation	Operation
10	G	Supply voltage 24 V AC
11	G0	Supply voltage 0 V
12-14		No function.
20	GDO	24 V AC out common for DO. Internally connected to terminal 10, G.
21	G0	0 V common for UO. Internally connected to terminal 11, G0.
22	UO3	For VAV control <i>alternatively</i> For forced ventilation. 24 V AC output, max. 2.0 A. 24 V actuator is connected between terminal 22 and terminal 20, GDO. <i>alternatively</i> For 0...10 V DC damper control/EC-fan. The damper actuator/EC-fan 0...10 V control signal terminal is connected to terminal 22, and its supply terminals to terminals 10 and 11. Make sure that the reference pole G0 is connected to the correct terminal on the actuator. <i>alternatively</i> Lighting control On/Off

Terminal	Designation	Operation
23	UO1	<p>Control of heating (FS) cooling or heating/cooling via change-over.</p> <p>For 0...10 V DC valve actuators, max 5 mA (FS). The valve actuator's 0...10 V control signal terminal is connected to terminal 23 and its supply terminals to terminals 10 and 11. Make sure that the reference pole G0 is connected to the correct terminal on the actuator.</p> <p><i>alternatively</i></p> <p>For a 24 V AC thermal actuator, max 2.0 A. The thermal actuator is connected between terminals 23 and 20, GDO. Using DIP-switch SW8, the output can be set to suit actuator type NO or NC.</p> <p>N.B.: when UO1 has been set for use with thermal actuators for 24 V AC (digital output function) the controller utilizes time-proportional control to give a smooth control of the connected actuator. The output signal for UO1 can be set to NC (normally closed) or NO (normally open) by changing the position of DIP-switch SW8 for models without display and by changing parameter 73 for models with display. This setting refers to which type of actuator, NC or NO, it is intended for.</p> <p><i>For choice of output function, analogue or digital, see Table 5, SW5. On models with display, go into the parameter menu and change parameter 20 to thermal actuator.</i></p> <p><i>alternatively</i></p> <p>For a 24V AC actuator with spring return, max. 2.0 A. The actuator is connected between terminals 23 and 20. This can be configured either through the display or through Regio tool[®]. The output signal for UO1 can be set to NC (normally closed) or NO (normally open).</p>
24	UO2	<p>Control output heating or cooling (FS).</p> <p>For a 0...10 V DC valve actuator, max 5 mA (FS). The valve actuator's 0...10 V control signal terminal is connected to terminal 24 and its supply terminals to terminals 10 and 11. Make sure that the reference pole G0 is connected to the correct terminal on the actuator.</p> <p><i>alternatively</i></p> <p>For a 24 V AC thermal actuator, max 2.0 A. The thermal actuator is connected between terminals 24 and 20, GDO.</p> <p><i>For choice of output function, analogue or digital, see Table 5, SW6. On models with display, go into the parameter menu and change parameter 21 to thermal actuator.</i></p> <p><i>alternatively</i></p> <p>For a 24V AC actuator with spring return, max. 2.0 A. The actuator is connected between terminals 24 and 20. This can be configured either through the display or through Regio tool[®].</p>
30	AI1	<p>For an external room sensor, PT1000 or supply air temperature limitation sensor. Measuring range 0...50°C. The sensor is connected between terminals 30 and 41, AGnd.</p> <p><i>See Table 5, SW7.</i></p>
31	UI1	<p>For switching between heating and cooling on a two-pipe system (change-over).</p> <p>A PT1000-sensor is connected between terminals 31 and 41, AGnd. Measuring range: 0...100°C.</p> <p><i>alternatively</i></p> <p>For a potential-free contact. A potential-free contact is connected between terminals 31 and 40, +C.</p>
32	DI1	<p>Occupancy detector. A potential-free contact is connected between terminals 32 and 40, +C. Closed contact corresponds to occupancy.</p> <p><i>alternatively</i></p> <p>Window contact (DI). A potential-free contact is connected between terminals 33 and 40, +C. Closed contact indicates closed window.</p> <p><i>See also the section Occupancy detector in the chapter Operating modes.</i></p>

Terminal	Designation	Operation
33	DI2/CI	<p>Regin's condensation sensor, KG-A/1 (FS). The sensor is connected between terminals 33 and 41, AGnd.</p> <p><i>alternatively</i></p> <p>Window contact (DI). A potential-free contact is connected between terminals 33 and 40, +C. Closed contact indicates closed window.</p> <p><i>alternatively</i></p> <p>Run indication from e.g. an air handling unit. A potential-free contact is connected between terminals 33 and 40, +C.</p> <p><i>See Table 5, SW4.</i></p>
40	+C	24 V DC out common for DI and UI (with digital function)
41	AGnd	Analogue ground, reference for AI and UI (with analogue function)
42	A	RS485-communication A
43	B	RS485-communication B

Table 4. I/O connection terminals for basic models with 3 analogue outputs

DIP switches (only models without display)

The ON-position is marked on the DIP switch.

	ON	OFF	Comment
SW4	DI, window contact. Closed contact indicates closed window.	CI, Regin's condensation sensor, KG-A/1 (FS).	Function terminal 33, DI2/CI.
SW5	Digital output for 24 V AC thermal actuator.	Analogue output for 0...10 V DC valve actuator (FS).	Function terminal 23, UO1.
SW6	Digital output for 24 V AC thermal actuator.	Analogue output for 0...10 V DC valve actuator (FS).	Function terminal 24, UO2.
SW7	External, PT1000-sensor.	Internal NTC-sensor (FS).	Temperature sensor.
SW8	NO	NC (FS)	Function terminal 23, UO1
	<p>Choosing NC (FS) gives direct action on output UO1, i.e. increasing signal (longer pulses) on increasing control output. This setting is used when UO1 is connected to a thermal actuator of type Regin RTAM-24 (NC). In the event of a power cut the valve will close.</p> <p>Choosing NO gives reverse action on output UO1, i.e. decreasing signal (shorter pulses) on increasing control output. This setting is used when UO1 is connected to a thermal actuator of type Regin RTAOM-24 (NO). In the event of a power cut the valve will open.</p>		

Table 5. DIP switches SW4-SW8

Wiring for model for CO₂ control (RC-C3DOC)

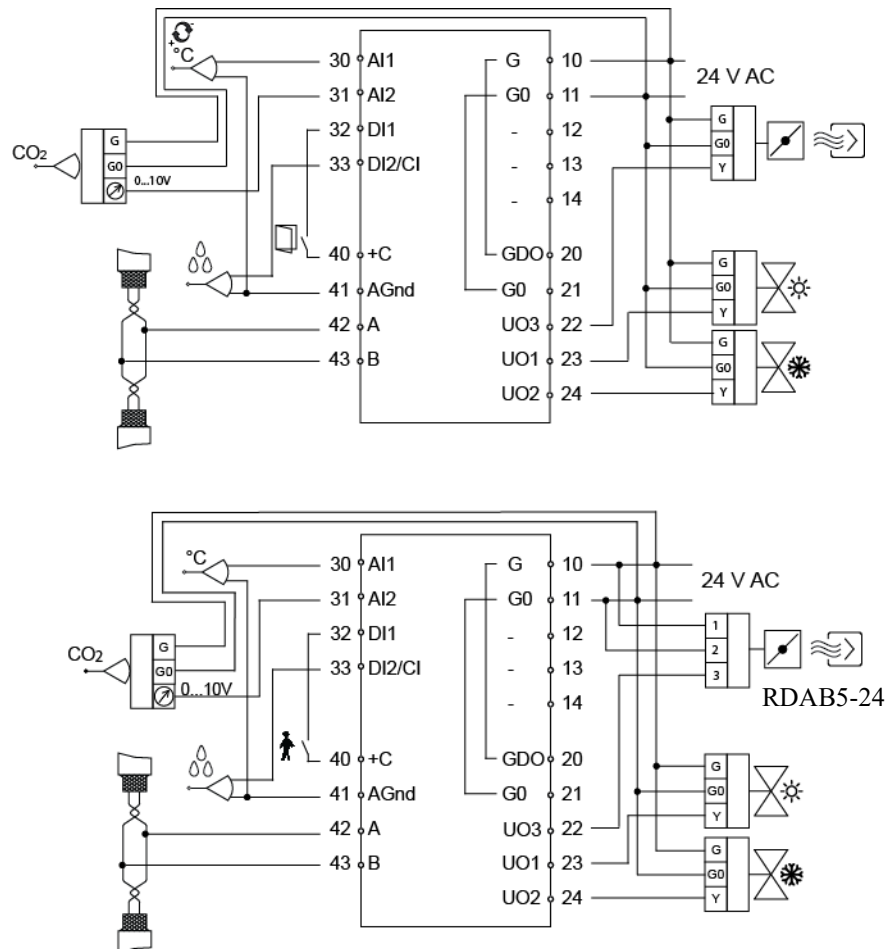


Figure 10. Connection diagrams for model for CO₂ control

Terminal	Designation	Operation
10	G	Supply voltage 24 V AC
11	G0	Supply voltage 0 V
12-14		No function.
20	GDO	24 V AC out common for DO. Internally connected to terminal 10, G.
21	G0	0 V common for UO. Internally connected to terminal 11, G0.
22	UO3	Output for VAV or EC-fan. For forced ventilation. 24 V AC output, max. 2.0 A. 24 V actuator is connected between terminal 22 and terminal 20, GDO. <i>alternatively</i> For 0...10 V DC damper control/EC-fan. The damper actuator/EC-fan 0...10 V control signal terminal is connected to terminal 22 and its supply terminals to terminals 10 and 11. Make sure that the reference pole G0 is connected to the correct terminal on the actuator. <i>alternatively</i> Lighting control On/Off.

Terminal	Designation	Operation
23	UO1	Control output heating (FS), cooling or heating or cooling via change-over. For a 0...10 V DC valve actuator, max 5 mA (FS). The valve actuator's 0...10 V control signal terminal is connected to terminal 23 and its supply terminals to terminals 10 and 11. Make sure that the reference pole G0 is connected to the correct terminal on the actuator. <i>alternatively</i> For a 24 V AC thermal actuator, max 2.0 A. The thermal actuator is connected between terminals 23 and 20, GDO. <i>alternatively</i> For a 24V AC actuator with spring return, max. 2.0 A. The actuator is connected between terminals 23 and 20. This can be configured either through the display or through Regio tool [®] . The output signal for UO1 can be set to NC (normally closed) or NO (normally open).
24	UO2	Control output heating or cooling (FS). For a 0...10 V DC valve actuator, max 5 mA (FS). The valve actuator's 0...10 V control signal terminal is connected to terminal 24 and its supply terminals to terminals 10 and 11. Make sure that the reference pole G0 is connected to the correct terminal on the actuator. <i>alternatively</i> For a 24 V AC thermal actuator, max 2.0 A. The thermal actuator is connected between terminals 24 and 20, GDO. <i>alternatively</i> For a 24V AC actuator with spring return, max. 2.0 A. The actuator is connected between terminals 24 and 20. This can be configured either through the display or through Regio tool [®] .
30	AI1	For an external room sensor or supply air temperature, PT1000. Measuring range 0...50°C. The sensor is connected between terminals 30 and 41, AGnd.
31	AI2	For a 0...10 V CO ₂ sensor <i>alternatively</i> Flow input <i>alternatively</i> 0...10 V input
32	DI1	Occupancy detector. A potential-free contact is connected between terminals 32 and 40, +C. Closed contact corresponds to occupancy. <i>alternatively</i> Window contact (DI). A potential-free contact is connected between terminals 33 and 40, +C. Closed contact indicates closed window. <i>alternatively</i> Change-over.
33	DI2/CI	Regin's condensation sensor, KG-A/1 (FS). The sensor is connected between terminals 33 and 41, AGnd. <i>alternatively</i> Window contact (DI). A potential-free contact is connected between terminals 33 and 40, +C. Closed contact indicates closed window. <i>alternatively</i> Change-over. <i>alternatively</i> Run indication from e.g. an air handling unit. A potential-free contact is connected between terminals 33 and 40, +C.
40	+C	24 V DC out common for DI and UI (with digital function)
41	AGnd	Analogue ground, reference for AI and UI (with analogue function)
42	A	RS485-communication A
43	B	RS485-communication B

Table 6. I/O connection terminals for model for CO₂ control

Wiring for models for CO₂ control and fan control (RC-C3DFOC)

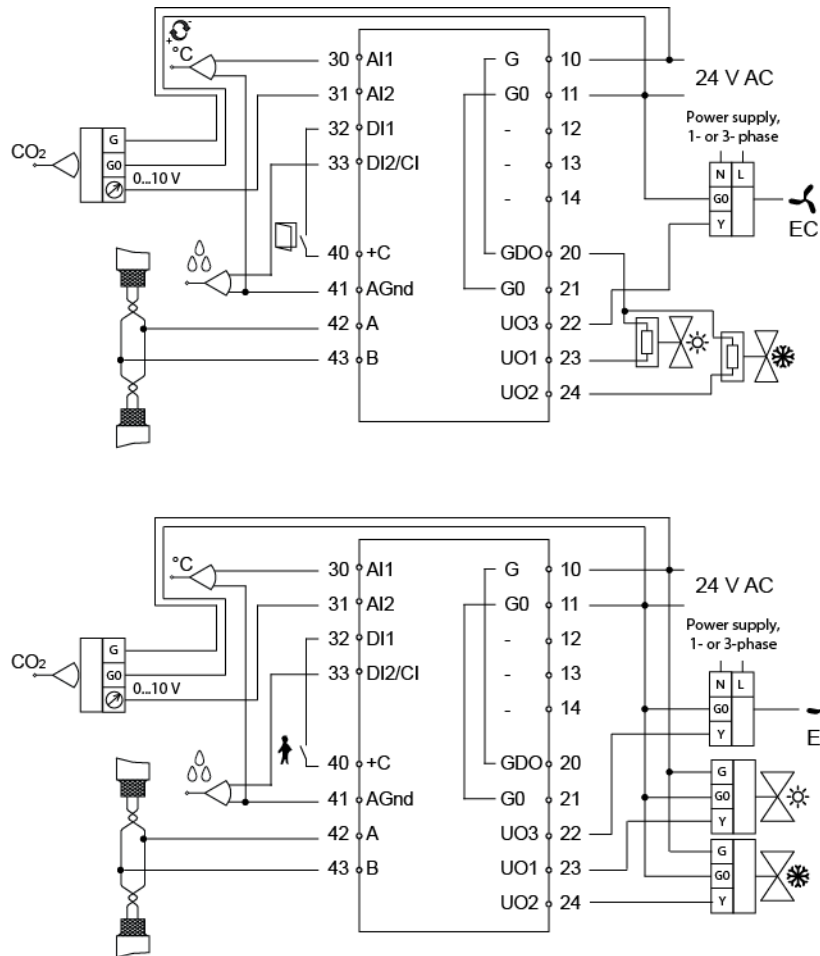


Figure 11. Connection diagrams for models for CO₂ control and fan control

Terminal	Designation	Operation
10	G	Supply voltage 24 V AC
11	G0	Supply voltage 0 V
12-14		No function.
20	GDO	24 V AC out common for DO. Internally connected to terminal 10, G.
21	G0	0 V common for UO. Internally connected to terminal 11, G0.
22	UO3	Control EC fan, 0...10 V DC.
23	UO1	Control output heating (FS), cooling or heating or cooling via change-over. For a 0...10 V DC valve actuator, max 5 mA (FS). The valve actuator's 0...10 V control signal terminal is connected to terminal 23 and its supply terminals to terminals 10 and 11. Make sure that the reference pole G0 is connected to the correct terminal on the actuator. <i>alternatively</i> For a 24 V AC thermal actuator, max 2.0 A. The thermal actuator is connected between terminals 23 and 20, GDO. <i>alternatively</i> For a 24V AC actuator with spring return, max. 2.0 A. The actuator is connected between terminals 23 and 20. This can be configured either through the display or through Regio tool [®] . The output signal for UO1 can be set to NC (normally closed) or NO (normally open).

Terminal	Designation	Operation
24	UO2	<p>Control output heating, cooling (FS) or heating or cooling via change-over.</p> <p>For a 0...10 V DC valve actuator, max 5 mA (FS). The valve actuator's 0...10 V control signal terminal is connected to terminal 24 and its supply terminals to terminals 10 and 11. Make sure that the reference pole G0 is connected to the correct terminal on the actuator.</p> <p><i>alternatively</i></p> <p>For a 24 V AC thermal actuator, max 2.0 A. The thermal actuator is connected between terminals 24 and 20, GDO.</p> <p><i>alternatively</i></p> <p>For a 24V AC actuator with spring return, max. 2.0 A. The actuator is connected between terminals 24 and 20. This can be configured either through the display or through Regio tool®.</p>
30	AI1	For an external room sensor or supply air temperature limitation sensor, PT1000. Measuring range 0...50°C. The sensor is connected between terminals 30 and 41, AGnd.
31	AI2	<p>For a 0...10 V CO2 sensor</p> <p><i>alternatively</i></p> <p>Flow input</p> <p><i>alternatively</i></p> <p>0...10 V input</p>
32	DI1	<p>Occupancy detector. A potential-free contact is connected between terminals 32 and 40, +C. Closed contact corresponds to occupancy.</p> <p><i>alternatively</i></p> <p>Window contact (DI). A potential-free contact is connected between terminals 33 and 40, +C. Closed contact indicates closed window.</p> <p><i>alternatively</i></p> <p>Change-over.</p>
33	DI2/CI	<p>Regin's condensation sensor, KG-A/1 (FS). The sensor is connected between terminals 33 and 41, AGnd.</p> <p><i>alternatively</i></p> <p>Window contact (DI). A potential-free contact is connected between terminals 33 and 40, +C. Closed contact indicates closed window.</p> <p><i>alternatively</i></p> <p>Change-over.</p> <p><i>alternatively</i></p> <p>Run indication from e.g. an air handling unit. A potential-free contact is connected between terminals 33 and 40, +C.</p>
40	+C	24 V DC out common for DI and UI (with digital function)
41	AGnd	Analogue ground, reference for AI and UI (with analogue function)
42	A	RS485-communication A
43	B	RS485-communication B

Table 7. I/O connection terminals for CO2 control and fan control

Wiring for models for fan control (RC-CF, RC-CFO, RC-CDFO)

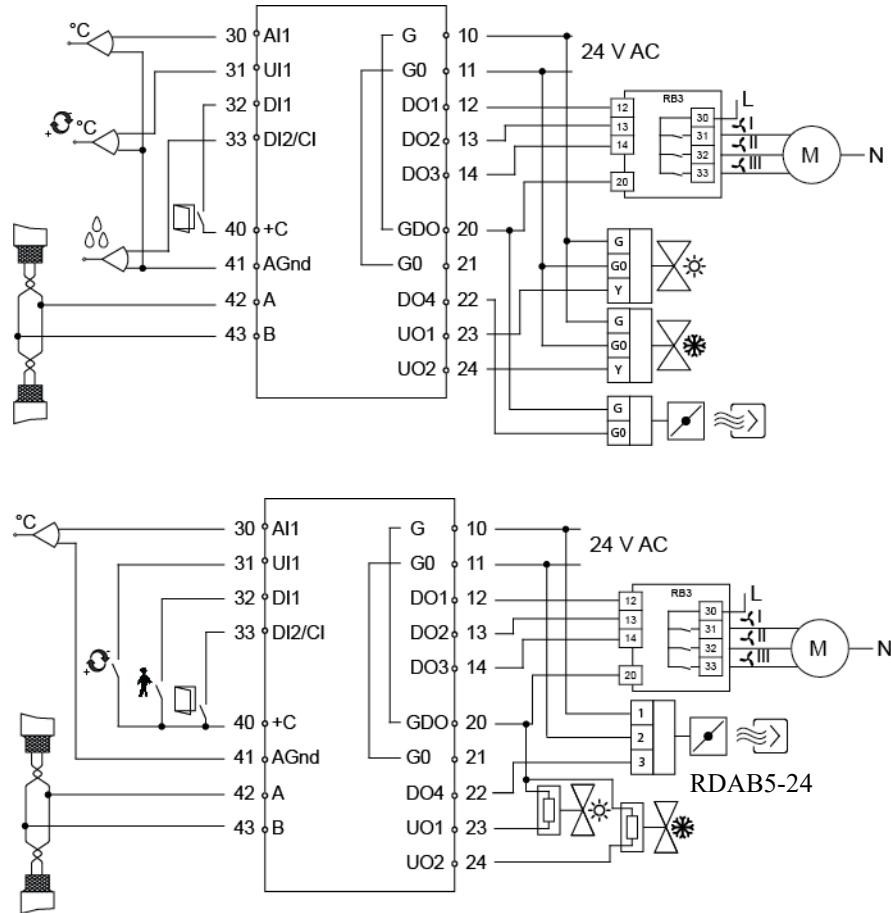


Figure 12. Connection diagrams for models for fan control

Terminal	Designation	Operation
10	G	Supply voltage 24 V AC
11	G0	Supply voltage 0 V
12	DO1	For fan control, low speed. 24 V AC output, max 0.5 A. A 24 V AC relay is connected between terminal 12 and terminal 20, GDO.
13	DO2	For fan control, medium speed. 24 V AC output, max 0.5 A. A 24 V AC relay is connected between terminal 13 and terminal 20, GDO.
14	DO3	For fan control, high speed. 24 V AC output, max 0.5 A. A 24 V AC relay is connected between terminal 14 and terminal 20, GDO.
20	GDO	24 V AC out common for DO. Internally connected to terminal 10, G.
21	G0	0 V common for UO. Internally connected to terminal 11, G0.
22	DO4	For forced ventilation. 24 V AC output, max 0.5 A. A 24 V AC actuator is connected between terminal 22 and terminal 20, GDO.

Terminal	Designation	Operation
23	UO1	<p>Control of heating (FS), cooling or heating/cooling via change-over.</p> <p>For a 0...10 V DC valve actuator, max 5 mA (FS). The valve actuator's 0...10 V control signal terminal is connected to terminal 23 and its supply terminals to terminals 10 and 11. Make sure that the reference pole G0 is connected to the correct terminal on the actuator.</p> <p><i>alternatively</i></p> <p>For a 24 V AC thermal actuator, max 2.0 A. The thermal actuator is connected between terminals 23 and 20, GDO. Using DIP-switch SW8, the output can be set to NO or NC.</p> <p>N.B: when UO1 has been set for use with thermal actuators for 24 V AC (digital output function) the controller utilizes time-proportional control to give a smooth control of the connected actuator. The output signal for UO1 can be set to NC (normally closed) or NO (normally open) by changing the position of DIP-switch SW8 for models without display and by changing parameter 73 for models with display. This setting refers to which type of actuator, NC or NO, it is intended for.</p> <p><i>For choice of output function, analogue or digital, see Table 9, SW5. On models with display, go into the parameter menu and change parameter 20 to thermal actuator.</i></p> <p><i>alternatively</i></p> <p>For a 24V AC actuator with spring return, max. 2.0 A. The actuator is connected between terminals 23 and 20. This can be configured either through the display or through Regio tool[®]. The output signal for UO1 can be set to NC (normally closed) or NO (normally open).</p>
24	UO2	<p>Control of heating, cooling (FS) or heating/cooling via change-over.</p> <p>For a 0...10 V DC valve actuator, max 5 mA (FS). The valve actuator's 0...10 V control signal terminal is connected to terminal 24 and its supply terminals to terminals 10 and 11. Make sure that the reference pole G0 is connected to the correct terminal on the actuator.</p> <p><i>alternatively</i></p> <p>For a 24 V AC thermal actuator, max 2,0 A. The thermal actuator is connected between terminals 24 and 20, GDO.</p> <p><i>For choice of output function, analogue or digital, see Table 9, SW6. On models with display, go into the parameter menu and change parameter 21 to thermal actuator.</i></p> <p><i>alternatively</i></p> <p>For a 24V AC actuator with spring return, max. 2.0 A. The actuator is connected between terminals 24 and 20. This can be configured either through the display or through Regio tool[®].</p>
30	AI1	<p>For an external room sensor or supply air temperature limitation sensor, PT1000. Measuring range 0...50°C. The sensor is connected between terminals 30 and 41, AGnd.</p> <p><i>See Table 9, SW7.</i></p>
31	UI1	<p>For switching between heating and cooling on a two-pipe system (change-over).</p> <p>A PT1000-sensor is connected between terminals 31 and 41, AGnd. Measuring range: 0...100°C.</p> <p><i>alternatively</i></p> <p>For a potential-free contact. A potential-free contact is connected between terminals 31 and 40, +C.</p>
32	DI1	<p>Occupancy detector. A potential-free contact is connected between terminals 32 and 40, +C. Closed contact corresponds to occupancy.</p> <p><i>alternatively</i></p> <p>Window contact (DI). A potential-free contact is connected between terminals 32 and 40, +C. Closed contact indicates closed window.</p> <p><i>See also the section Occupancy detector in the chapter Operating modes.</i></p>

Terminal	Designation	Operation
33	DI2/CI	<p>Regin's condensation sensor, KG-A/1 (FS). The sensor is connected between terminals 33 and 41, AGnd.</p> <p><i>alternatively</i></p> <p>Window contact (DI). A potential-free contact is connected between terminals 33 and 40, +C. Closed contact indicates closed window.</p> <p><i>alternatively</i></p> <p>Run indication from e.g. an air handling unit. A potential-free contact is connected between terminals 33 and 40, +C.</p> <p><i>See Table 9, SW4.</i></p>
40	+C	24 V DC out common for DI and UI (with digital function)
41	AGnd	Analogue ground, reference for AI and UI (with analogue function)
42	A	RS485-communication A
43	B	RS485-communication B

Table 8. I/O connection terminals for models for fan control

DIP switches (only models without display)

The ON-position is marked on the DIP switch.

	ON	OFF	Comment
SW4	DI, window contact. Closed contact indicates closed window.	CI, Regin's condensation sensor, KG-A/1 (FS).	Function terminal 33, DI2/CI.
SW5	Digital output for 24 V AC thermal actuator.	Analogue output for 0...10 V DC valve actuator (FS).	Function terminal 23, UO1.
SW6	Digital output for 24 V AC thermal actuator.	Analogue output for 0...10 V DC valve actuator (FS).	Function terminal 24, UO2.
SW7	External, PT1000-sensor.	Internal NTC-sensor (FS).	Temperature sensor.
SW8	NO	NC (FS)	Function terminal 23, UO1
	<p>Choosing NC (factory setting) gives direct action on output UO1, i.e. increasing signal (longer pulses) on increasing control output. This setting is used when UO1 is connected to a thermal actuator of type Regin RTAM-24 (NC). In the event of a power cut the valve will close.</p> <p>Choosing NO gives reverse action on output UO1, i.e. decreasing signal (shorter pulses) on increasing control output. This setting is used when UO1 is connected to a thermal actuator of type Regin RTAOM-24 (NO). In the event of a power cut the valve will open.</p>		

Table 9. DIP switches SW4-SW8

Wiring for models for three-point control (RC-CTH, RC-CT, RC-CTO, RC-CDTO)

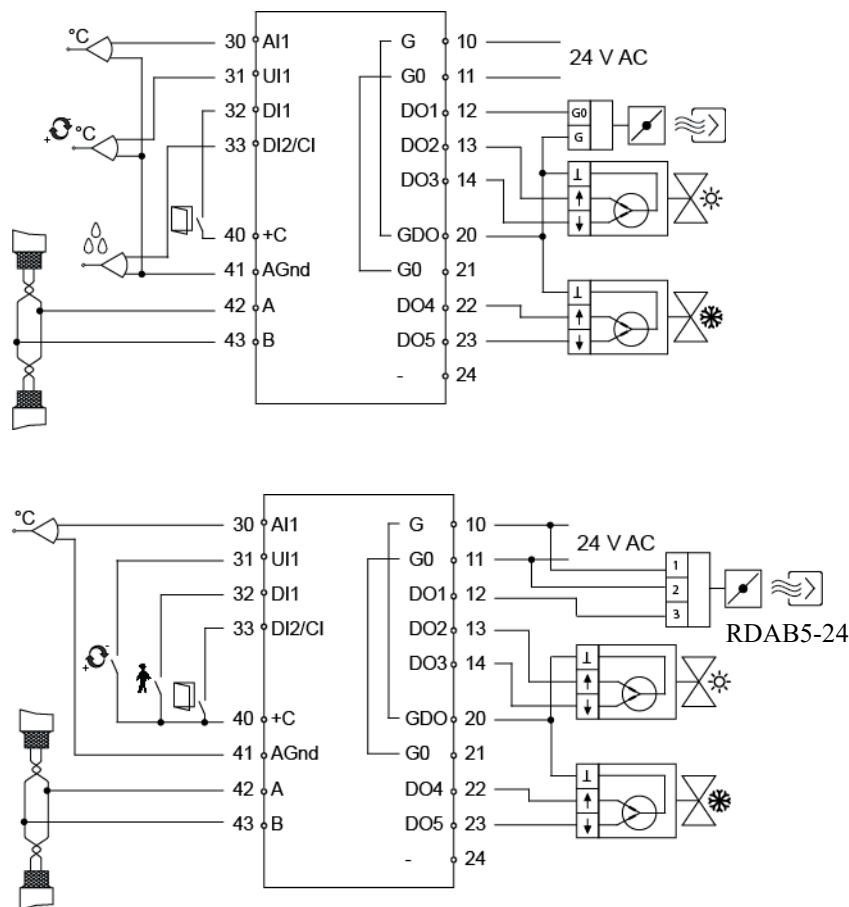


Figure 13. Connection diagrams for models for three-point control

Terminal	Designation	Operation
10	G	Supply voltage 24 V AC
11	G0	Supply voltage 0 V
12	DO1	For forced ventilation. 24 V AC output, max 0.5 A. A 24 V AC actuator is connected between terminal 12 and terminal 20, GDO.
13	DO2	For a three-point actuator, heating increase. 24 V AC output, max 0.5 A. The actuator's terminal for opening signal is connected to terminal 13. The common pole on the actuator is connected to terminal 20, GDO.
14	DO3	For a three-point actuator, heating decrease. 24 V AC output, max 0.5 A. The actuator's terminal for closing signal is connected to terminal 14.
20	GDO	24 V AC out common for DO. Internally connected to terminal 10, G.
21	G0	0 V common for DO. Internally connected to terminal 11, G0.
22	DO4	For a three-point actuator, cooling increase. 24 V AC output, max 0.5 A. The actuator's terminal for opening signal is connected to terminal 22. The common pole on the actuator is connected to terminal 20, GDO.
23	DO5	For a three-point actuator, cooling decrease. 24 V AC output, max 0.5 A. The actuator's terminal for closing signal is connected to terminal 23.
24		No function.
30	AI1	For an external room sensor or supply air temperature limitation sensor, PT1000. Measuring range 0...50°C. The sensor is connected between terminals 30 and 41, AGnd. <i>See Table 11, SW7.</i>

Terminal	Designation	Operation
31	UI1	For switching between heating and cooling on a two-pipe system (change-over). A PT1000-sensor is connected between terminals 31 and 41, AGnd. Measuring range: 0...100°C. <i>alternatively</i> For a potential-free contact. A potential-free contact is connected between terminals 31 and 40, +C.
32	DI1	Occupancy detector. A potential-free contact is connected between terminals 32 and 40, +C. Closed contact corresponds to occupancy. <i>alternatively</i> Window contact (DI). A potential-free contact is connected between terminals 32 and 40, +C. Closed contact indicates closed window. <i>See also the section Occupancy detector in the chapter Operating modes.</i>
33	DI2/CI	Regin's condensation sensor, KG-A/1 (FS). The sensor is connected between terminals 33 and 41, AGnd. <i>alternatively</i> Window contact (DI). A potential-free contact is connected between terminals 33 and 40, +C. Closed contact indicates closed window. <i>alternatively</i> Run indication from e.g. an air handling unit. A potential-free contact is connected between terminals 33 and 40, +C. <i>See Table 11, SW4.</i>
40	+C	24 V DC out common for DI and UI (with digital function)
41	AGnd	Analogue ground, reference for AI and UI (with analogue function)
42	A	RS485-communication A
43	B	RS485-communication B

Table 10. I/O connection terminals for models for three-point control

DIP switches (only models without display)

The ON-position is marked on the DIP switch.

	ON	OFF	Comment
SW4	DI, window contact. Closed contact indicates closed window.	CI, Regin's condensation sensor, KG-A/1 (FS).	Function terminal 33, DI2/CI.
SW5	DO5 activated (FS).	Not permitted.	Shall be ON.
SW6			Not used.
SW7	External, PT1000-sensor.	Internal NTC-sensor (FS).	Temperature sensor.
SW8	NO	NC (FS)	Function terminal 23, UO1 Choosing NC (factory setting) gives direct action on output UO1, i.e. increasing signal (longer pulses) on increasing control output. This setting is used when UO1 is connected to a thermal actuator of type Regin RTAM-24 (NC). In the event of a power cut the valve will close. Choosing NO gives reverse action on output UO1, i.e. decreasing signal (shorter pulses) on increasing control output. This setting is used when UO1 is connected to a thermal actuator of type Regin RTAOM-24 (NO). In the event of a power cut the valve will open.

Table 11. DIP switches SW4-SW8

Chapter 7 Control modes

Different control modes

The controllers can be configured for different control modes/control sequences. Depending on which control mode is active, one, both or all three of the universal outputs, UO1, UO2 and UO3, are used. See *Table 12* below for a summary.

Control mode	UO1*	UO2*	UO3**
Heating	Heating	-	Forced ventilation (digital), Lighting control, Analogue, 0...10 V (VAV damper), EC fan
Heating/Heating (split output signal)	Heating	Heating	
Heating or cooling via change-over	Heating or cooling	-	
Heating/Cooling	Heating	Cooling	
Heating/Cooling with VAV-control and forced supply air function	Heating	Cooling	
Heating/Cooling with VAV-control	Heating	Cooling	
Cooling	Cooling	Cooling	
Cooling/Cooling (split output signal)	Cooling	Cooling	
Heating/Cooling/VAV (only available in -C3- models, except C3DFOC)	Heating	Cooling	
Heating/Heating or Cooling via change-over (only available in fan models)	Heating	Cooling	
Change over with VAV-function	Heating or cooling	Cooling	

Table 12. Control modes

* Not available in ...T-models.

** Only available in ...3-models.

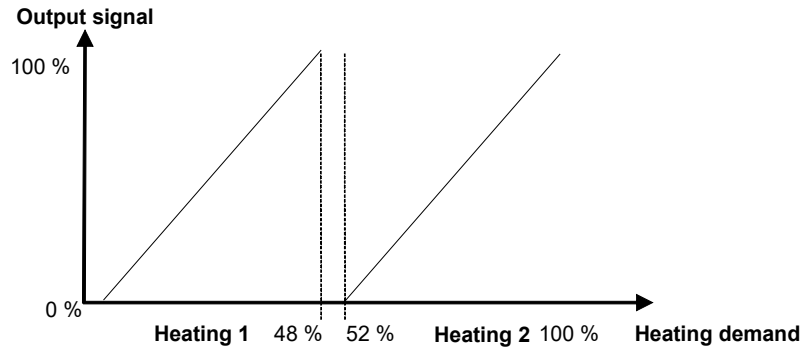
Control mode 0: Heating

In control mode Heating, the unit is always a heating controller and controls according to the heating setpoint plus/minus the setpoint adjustment. The setpoint can be adjusted in the display or via the setpoint knob.

Control mode 1: Heating/Heating

Split output signal

In control mode Heating/Heating, the controller is always a heating controller and controls according to the basic heating setpoint plus the setpoint adjustment. The control signal is divided between the two outputs with a deadband in between. The first output (UO1) works between 0...48 % of the control signal. When the control signal reaches 52 %, UO2 starts to operate and will be 10 V when the control signal is 100 %. See the figure below:

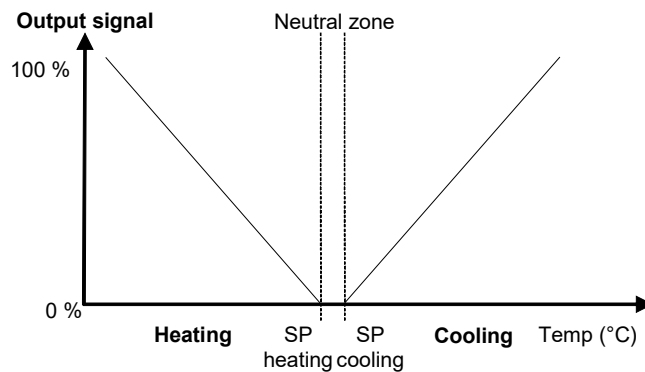


Control mode 2: Heating or cooling via change-over

This control mode is used for installations with 2-pipe systems. It makes it possible to use the same pipe for both heating and cooling, depending on whether heating or cooling is required. Switching between heating and cooling mode can be performed either by using a digital or an analogue input. Only one output is used to control the actuator (UO1). See more in the chapter *Change-over function*.

Control mode 3: Heating/Cooling

In control mode Heating/Cooling, the controller functions as a heating controller when the room temperature is lower than the basic heating setpoint plus half the neutral zone. The neutral zone is the difference in temperature between the heating setpoint and the cooling setpoint. When the room temperature exceeds this limit, the controller becomes a cooling controller. There is a hysteresis of 0.1°C when the controller changes from heating to cooling controller and vice versa. When the controller is heating, it regulates according to the basic heating setpoint plus the setpoint adjustment, and when it is cooling according to the basic cooling setpoint plus the setpoint adjustment.



Control mode 4: Heating/Cooling with VAV-control and forced supply air function

Like control mode Heating/Cooling but the cooling output is controlling a supply air damper (sub-tempered supply air). When the ventilation is forced (See *Chapter 12, Special functions*), the cooling output is set to full cooling (full supply air volume), regardless of what the controller output signal is.

For VAV control, several basic flows exist for supply air depending on the current running mode.

Factory settings:

- Presence (Occupied): 20 %
- Standby and no presence (Unoccupied): 10 %
- Off: 0 %

A max limitation for cooling is available for Heating/Cooling with VAV-control and forced supply air function.

The max limitation is configured 0...100 %, where 0 means the damper is entirely closed and 100 that the damper is entirely open. The function is activated by configuring the appropriate parameter to a value less than 100. The cooling limitation is present in control modes 4, 5 and 8.

Control mode 5: Heating/Cooling with VAV-control

Heating and cooling are controlled in the same way as in the VAV-control above. The damper cannot be forced like above. There is also a function that opens the supply air damper on heating demand. This is normally always required if the heater is placed in the supply air duct, to carry the heat to the room. A maximum limit is set for the opening of the damper on heating demand. The factory setting is zero, which means that the function to open the damper on heating demand is not active. The basic flow can also be set separately.

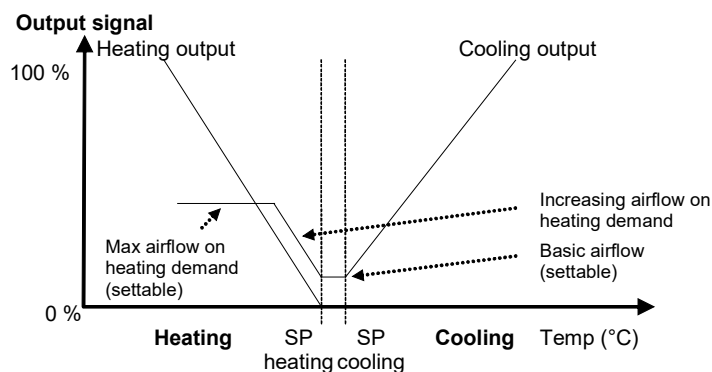
For VAV control, several basic flows exist for supply air depending on the current running mode.

Factory settings:

- Presence (Occupied): 20 %
- Standby and no presence (Unoccupied): 10 %
- Off: 0 %

A max limitation for both cooling and heating is available for Heating/Cooling with VAV-control.

The max limitation is configured 0...100 %, where 0 means the damper is entirely closed and 100 that the damper is entirely open. The function is activated by configuring the appropriate parameter to a value less than 100. The cooling limitation is present in control modes 4, 5 and 8. The heating limitation is present in control modes 5 and 8.



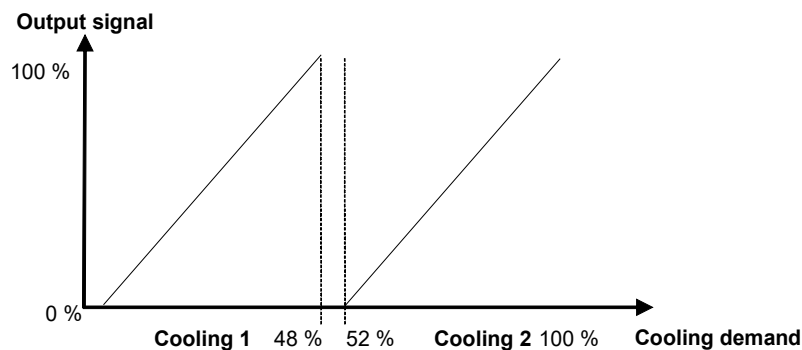
Control mode 6: Cooling

In control mode Cooling, the unit is always a cooling controller and controls according to the basic cooling setpoint plus the setpoint adjustment.

Control mode 7: Cooling/Cooling

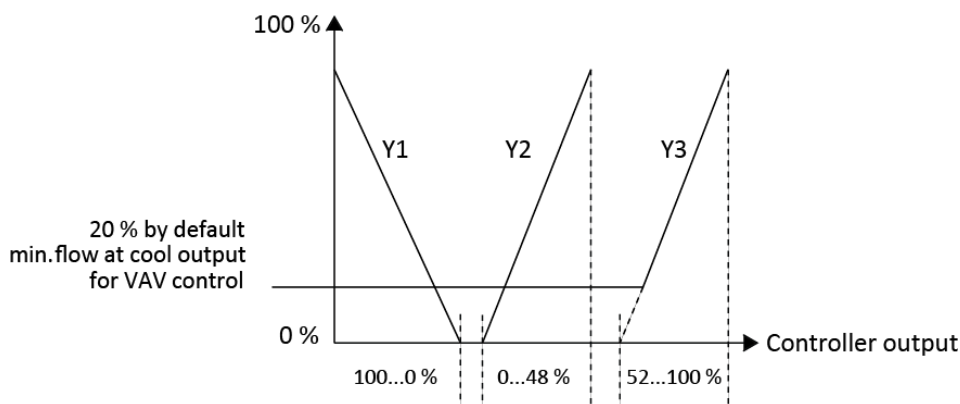
Split output signal

In control mode Cooling/Cooling, the controller always functions as a cooling controller and controls according to the basic cooling setpoint plus the setpoint adjustment. The control signal is divided between the two outputs with a deadband in between. The first output (UO1) works between 0...48 % of the control signal. When the control signal reaches 52 %, UO2 starts to operate and will be 10 V when the control signal is 100 %. See the figure below:



Control mode 8: Heating/Cooling/VAV

This control mode offers the possibility to control three analogue outputs: heating, cooling and VAV. When the controller is in cooling mode, the control signal is split between cooling and VAV (this control mode is only available in ...C3 models, except RC-C3DFOC), see figure below:

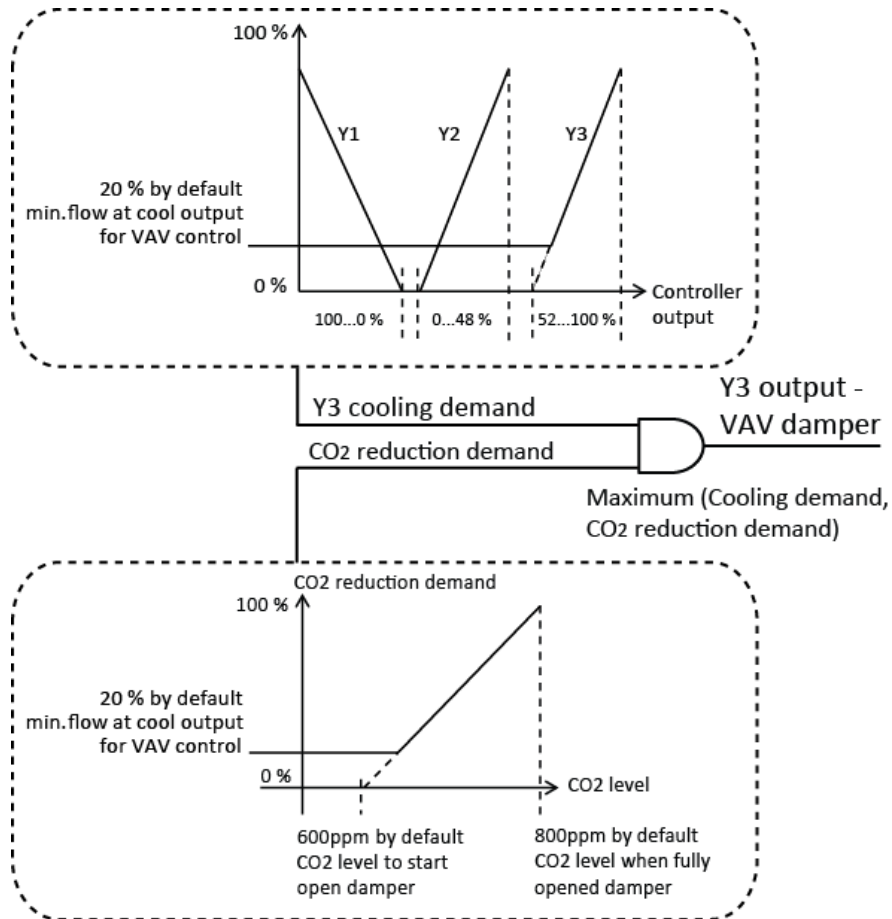


To avoid Y2 and Y3 opening and closing frequently during switch-over, a saddle point is implemented. Y2 will output 0...10 V (linear) when the controller output is 0...48 % and Y3 will output 0...10 V (linear) when the controller output is 52...100 %. In the saddle point, the outputs will always be 100 % for Y2 and 0 % for Y3.

As an addition to the function described above, it is possible to connect a CO₂ sensor to RC-C3DOC. The output on Y3 will then be affected by either cooling demand or by the CO₂ level rising too high. The output from the CO₂ function is linear between two user-defined setpoints (see figure below).

A max limitation for both cooling and heating is available for Heating/Cooling/VAV-control.

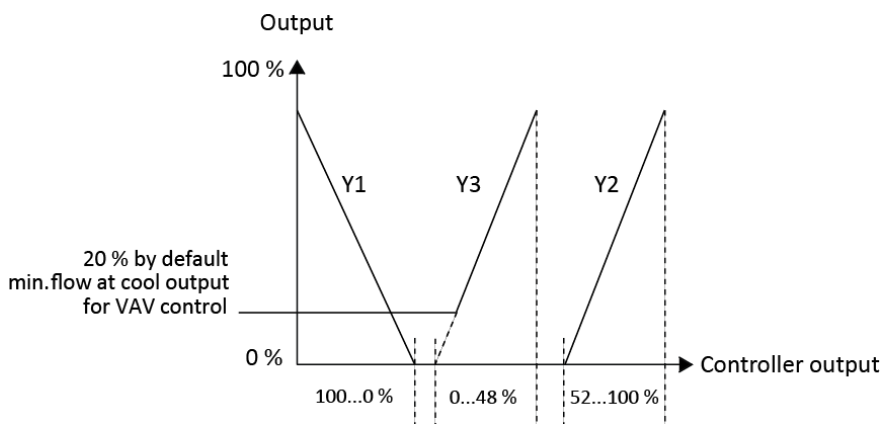
The max limitation is configured 0...100 %, where 0 means the damper is entirely closed and 100 that the damper is entirely open. The function is activated by configuring the appropriate parameter to a value less than 100. The cooling limitation is present in control modes 4, 5 and 8. The heating limitation is present in control modes 5 and 8.



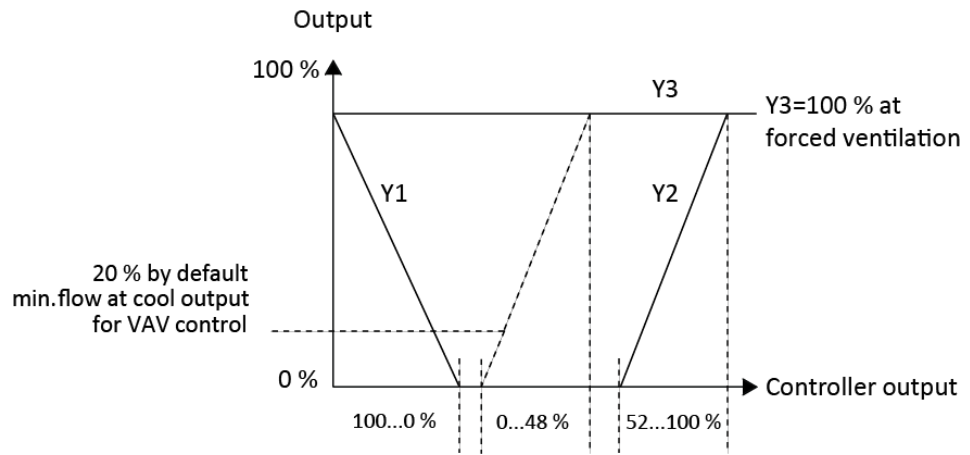
The variable for the min. limit of the VAV-damper is the same as for the VAV-damper in the VAV control applications on Y2. Default is 20 % min. limit.

Reversed sequence

In some applications, e.g. free cooling, it may be desirable to reverse the sequence of Y2 and Y3 (i.e., to open Y3 before Y2). This function is a configuration of the control mode Heating/Cooling/VAV. When the function is active, the sequence of Y2 and Y3 will be reversed, i.e. Y3 will open 0...100 % when controller output is in the range of 0...48 % and Y2 will open 0...100 % when the controller output is 52...100 %. See the figure below:



At forced ventilation, Y3 will open fully as before, and Y2 will control depending on temperature. However, Y2 will not give any output unless the controller output is above 52 %.



This function is only valid for models with Y3 output.

For VAV control, several basic flows exist for supply air depending on the current running mode. Factory settings:

- Presence (Occupied): 20 %
- Standby and no presence (Unoccupied): 10 %
- Off: 0 %

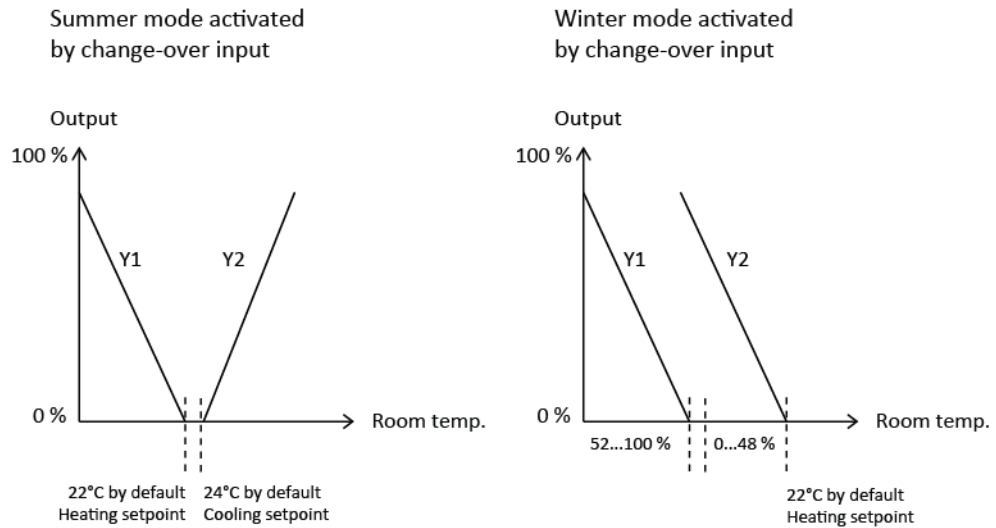
Control mode 9: Heating/Heating or cooling via change-over

For models offering fan functionality (excluding RC-C3DFOC), a function for control of a heating battery on UO1 in sequence with change-over on UO2 is available. When this has been performed, the start sequence of UO1/UO2 is changed along with the limits for fan start.

The change-over function will be used to switch between summer and winter mode. UO2 will be used as a cooling actuator in summer mode and as a heating actuator in winter mode.

In summer mode, Regio will function as a regular heating/cooling controller.

In winter mode, Regio will function as a heating/heating controller. UO2 will initiate first and UO1 second. The electrical heating battery connected to UO1 will start only if the ordinary heat battery on UO2 cannot meet the heating demand. When a heating demand exists, the output of UO2 is 0...100 % linear to the heating demand 0...48 % and UO1 0...100 % to the heating demand 52...100 %. When the heating demand is 48...52 % UO2 will always output 100 % and UO1 0 %.



As the electrical heater is connected to UO1, and since an electrical heater may become very hot, a fan stop delay has been implemented into the system. The fan stop delay will only be activated in heating mode, and then only if the fan has been running prior to the stop. When the heat output has been set to 0 %, the fan will continue to run for an additional 120 s, at the same speed it had prior to stopping.

It is very important to note that Regio does not have any built-in function for monitoring when the fan is running or if the heat battery is overheating. This function must instead be provided by a supervisory system.

Control mode 10: Change-over with VAV function

This control mode is used when room temperature is controlled via VAV and the same duct is used for both warm and under-tempered air. Change-over takes place on UO1. Min/max limitations are active. CO₂ control is also active and operates according to a linear function. For the system to function properly, the change-over sensor must be used to measure duct air temperature.

For more information see chapter 12: Change-over.

Min and max supply air limitation

Analogue input 1 (AI1) can be configured for use with a supply air temperature limitation sensor. The controller will then automatically switch to cascade control. There are four values for min and max limitation. The settable range is 10...50°C. The default setting is:

Control mode	Min limitation	Max limitation
Heating	24°C	35°C
Cooling	12°C	24°C

A room controller will then work together with a supply air temperature controller using cascade control, resulting in a calculated supply air temperature maintaining the room temperature setpoint.

The cascade factor consists of the supply air controller being faster than the room controller. The cascade factor in Regio Midi acts as a divisor which affects both the P-band and I-time.

Example: If the cascade factor is 3 and the room controller has a P-band of 10°C and an I-time of 300 s, the supply air controller will receive a P-band of 3°C and an I-time of 100 s. The supply air controller will therefore be 3 times as fast as the room controller.

Additional features

CO₂ sensor and VAV control (RC-C3DOC, RC-C3DFOC)

RC-C3DOC and RC-C3DFOC can be set to all of the above control modes. When RC-C3DOC and RC-C3DFOC are set to VAV control, the control mode is combined with a CO₂ control function.

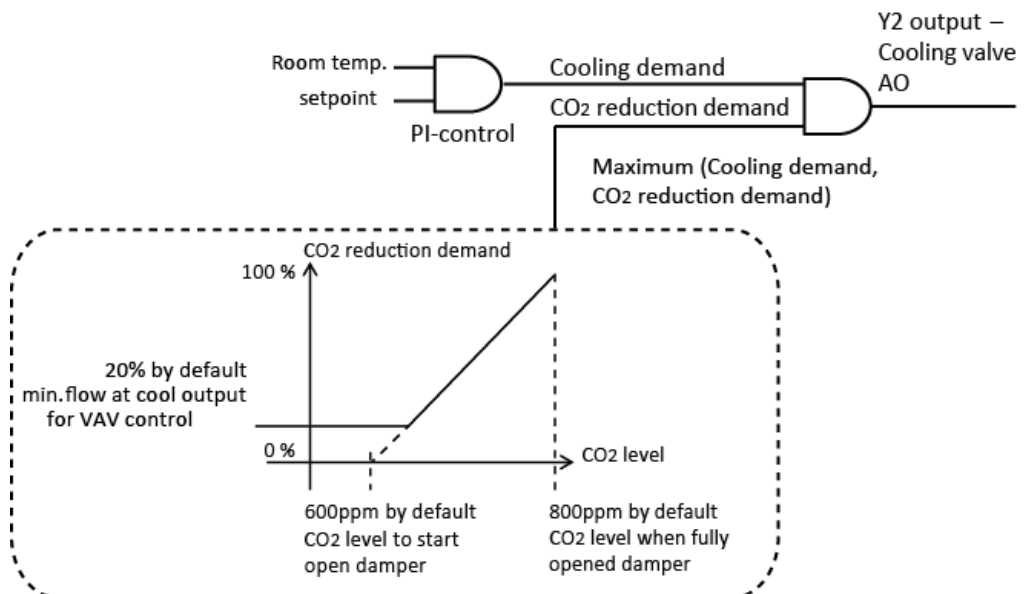
In control mode Heating/Cooling with VAV-control, the CO₂ concentration in the room will make the VAV damper, cooling output UO2, open. The function is linear and the damper works between the configured min. flow (FS=20 %) and 100 %, depending on the CO₂ concentration in the room. If the CO₂ concentration drops below the configured min. limit, the damper will stay on the minimum allowed air flow. When the CO₂ concentration rises, the damper will open linearly until reaching the configured CO₂ max. value, at which point it will be 100 % open.

Minimum limit on analogue 0...10 V actuators

The minimum limitation on the analogue output is only active in Bypass, Occupied and Standby. If the operating mode is Unoccupied or Off, the damper will be closed (0 V on the analogue output). See table below:

Operating mode	Min. limit	VAV output (Y2)
Bypass	20 %	2 V
Occupied	20 %	2 V
Standby	20 %	2 V
Unoccupied	20 %	0 V
Off	20 %	0 V

Many damper actuators have a working range of 2...10 V. This means that to set a minimum limitation of 20 %, the min. limitation in the Regio will have to be set to 36 % .



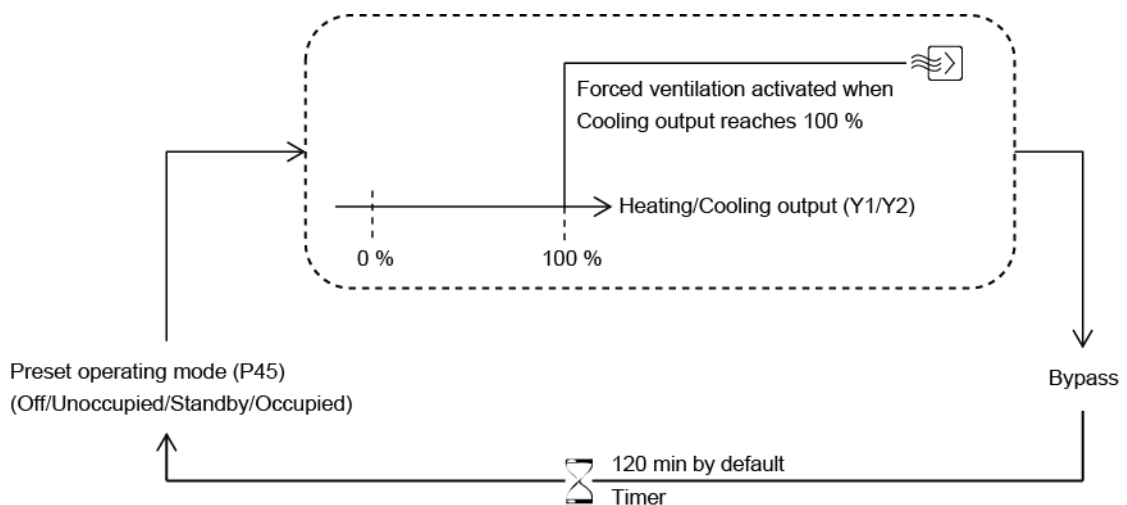
Forced ventilation depending on the heating/cooling output

At 100 % heating or cooling output, forced ventilation can be activated. The function is intended to be used when the heater or cooler is located in the ventilation duct and the system is struggling to reach the setpoint. When the cooling or heating output reaches 100 %, the controller will switch to control mode Bypass.

The controller will remain in forced ventilation throughout the set Bypass time (FS=2h).

Three different alternatives can be selected for setting the function forced ventilation:

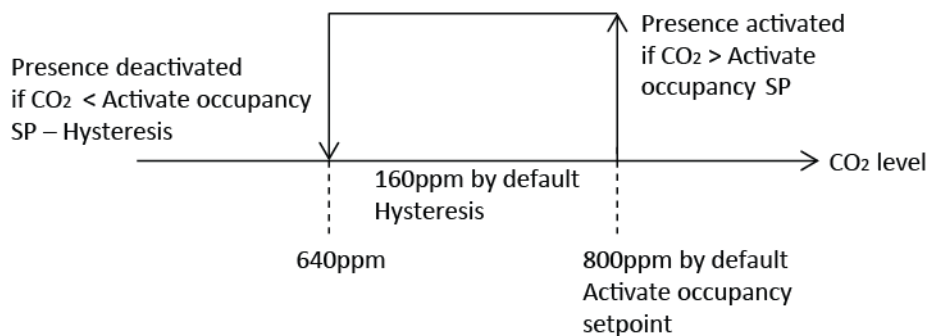
- Not active (FS)
- Forced ventilation at 100% heating or cooling output
- Forced ventilation at 100% cooling output



Presence detection depending on the CO₂ concentration

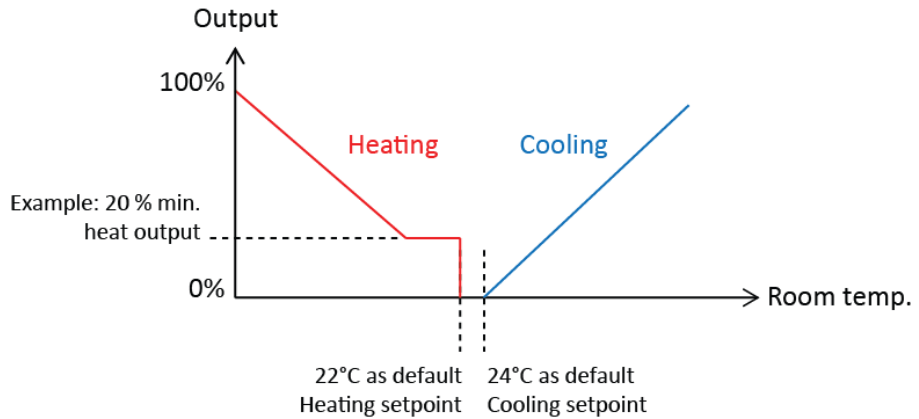
This function is not active when the controller is configured for Heating/Cooling with VAV-control.

When the CO₂ concentration exceeds the set value for activation of presence, UO3 will switch to forced ventilation if the presence operating mode is set to Bypass. It will stay there until the concentration drops below the set value (FS=800ppm) minus the hysteresis (FS=160ppm). When the concentration drops below this value, the controller will remain in presence mode for the duration of the configured occupancy off-delay (FS=10min).



Minimum limit for the heating output

In some applications, it is desirable to set a minimum limit for the heating output in order to prevent, for instance, downdraughts under windows. In general, this function works in a way similar to the minimum limit for the cooling output. However, there is a difference between the minimum limit for the heating and cooling output as the minimum limit for the latter still remains active after the controller enters heating mode. In addition, the minimum limitation for the heating output functions in all control modes.



Features for RC-C3DOC/C3DFOC

0...10 V input

The 0...10 V input used as a CO₂ input for RC-C3DOC/C3DFOC supports a general 0...10 V signal. This input is not connected to any function but only acts as a read-out for the signal. To configure this option, parameter 81 is set to option 7, "0...10 V".

Flow input

AI2 may be configured as a flow calculation input. A flow corresponding to 0 V and one corresponding to 10 V is set, and the flow is then calculated linearly between these two end points. To configure the flow calculation, Parameter 81 has the additional option 8, "Flow calculation".

The calculated flow value may be shown in the display by setting parameter 42 to option 9.

Chapter 8 Operating modes

Different operating modes

The Regio controllers have the following operating modes:

- 0 = Off
- 1 = Unoccupied
- 2 = Stand-by
- 3 = Occupied (FS)
- 4 = Bypass

Off

Operating mode Off means that the controller is not heating or cooling, and the fans are stopped. However, the temperature must not drop below the set minimum temperature (FS=8°C). If it does, the controller will start heating, and (if a fan is used) start the fan whether it has been manually stopped or not.

For controllers with display the background lighting is not lit, and only OFF is shown in the display.

Unoccupied

Operating mode Unoccupied means that the room where the controller is placed is not used for an extended period of time, for example during holidays or long weekends. Both heating and cooling are disconnected and the fans are stopped within a temperature interval with configurable min/max temperatures (FS min=15°C, max=30°C).

For controllers with display the background lighting is not lit, but the current room temperature (or setpoint depending on the configuration) is shown in the display. OFF is also shown in the display.

Stand-by

Operating mode Stand-by means that the room is in an energy save mode and is not used at the moment. This can be during nights, weekends, evenings etc. The controller is prepared to change operating mode to Occupied (comfort) if someone enters the room (presence). The room temperature is controlled around the applicable heating and cooling setpoints, with an extended temperature interval (FS=+/-3°C). For example, if the heating setpoint=22°C and the cooling setpoint=24°C, the controller will allow the temperature in the room to be between 19°C and 27°C. The setpoints can also be adjusted +/- 3°C via the setpoint knob or the display.

For controllers with display the background lighting is lit (dimmed). STANDBY and the current room temperature (or setpoint depending on the configuration) are shown in the display.

Occupied

Operating mode Occupied means that the room is in use and is therefore in a comfort mode. The controller regulates the room temperature around a heating setpoint and a cooling setpoint (FS heating setpoint=22°C, cooling setpoint=24°C). The setpoints can also be adjusted +/- 3°C locally via the setpoint knob or in the display, or via a central command.

For controllers with display the background lighting is lit (dimmed), and the occupancy indication is shown (see the chapter *Display handling*). The current room temperature (or setpoint depending on the configuration) is also shown in the display.

Bypass

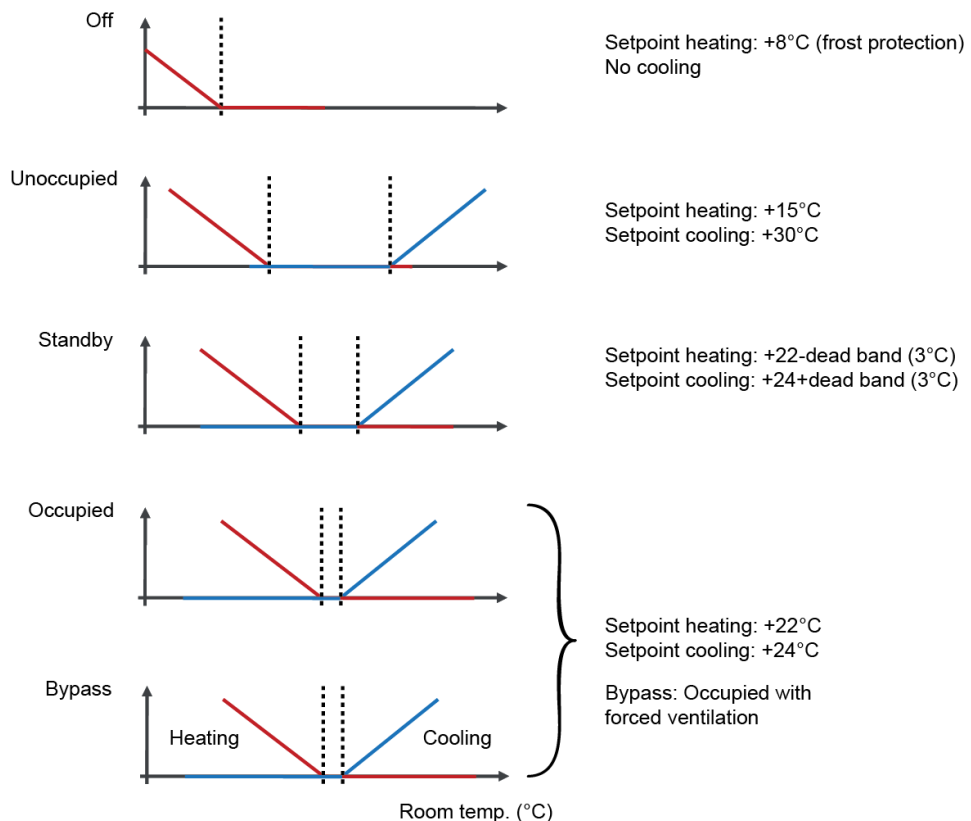
Operating mode Bypass means that the controller controls the room temperature in the same way as in operating mode Occupied. The output for forced ventilation is also active. After a configurable time (FS=2 hours) in Bypass, the controller automatically returns to the preset operating mode. Bypass is normally activated when the Occupancy button is pressed, via an occupancy detector, a central command or the CO₂ level. The operating mode is useful for example in conference rooms, where many people are present at the same time for a certain period of time.

For controllers with display the background lighting is lit (dimmed). The occupancy indication and the symbol for forced ventilation are shown (see the chapter *Display handling*). The current room temperature (or setpoint depending on the configuration) is shown in the display.

The bypass timer can be set to work as a switch-off delay, determining the time that "Bypass" should be active (FS=120 min). Alternatively, a settable timer can be configured via the display. In this case, each press of the occupancy button will change the timer as follows: Off → 1h → 2h → 3h → 4h → 5h → Off.

Control modes

Depending on various settings and values, the controller will be set to different control modes using different setpoints:



Activation of the different operating modes

Preset operating mode The preset operating mode is configured to Occupied by default. On models without display the preset mode can be changed to Stand-by using DIP switch SW3. OFF (FS): Occupied, ON: Stand-by. On models with display, this is configured in the parameter menu in the display, parameter 45.

The operating mode is changed at the following events:

- When the Occupancy button is pressed (if the controller has an Occupancy button).
- Activation/deactivation of an occupancy detector on the digital input.
- Activation/deactivation of presence by CO₂ level (for model with CO₂ detection)
- Via central control, for example central time control, central booking system etc.

Occupancy button

For models without fan control, the occupancy button push time for Shutdown is 5 s as a default. It is configurable via Regio tool[®].

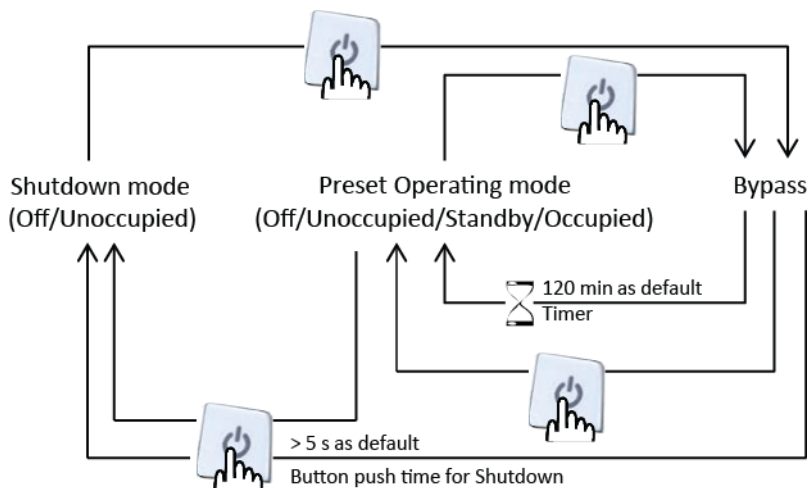
When pressing the occupancy button, the controller is set to forced ventilation. If the button is pressed again when forced ventilation is active, the controller will switch to the default running mode which can be configured either to Off, Unoccupied, Standby or Occupied.

When the Occupancy button is held depressed for more than 5 seconds, the controller will change its operating mode to Shutdown (Off/Unoccupied), regardless of the present operating mode. Via the display or Regio tool[®], it is possible to configure which operating mode (Off or Unoccupied) should be activated upon Shutdown (FS=Unoccupied).

Shutdown

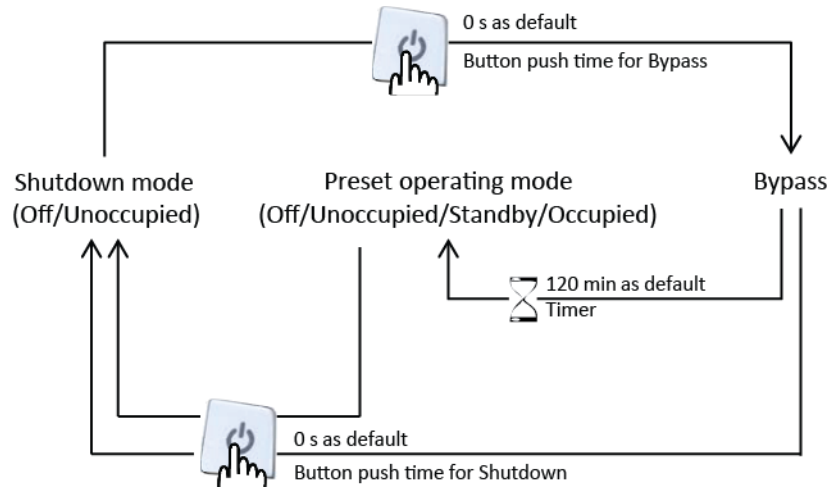
If the Occupancy button is pressed for less than 5 seconds when the controller is in its preset operating mode or in Shutdown, the controller will change to Bypass. If the button is then depressed for less than 5 seconds, the controller will return to the preset operating mode.

After a configurable period of time in Bypass (FS=2 hours), the controller will return to the preset operating mode.



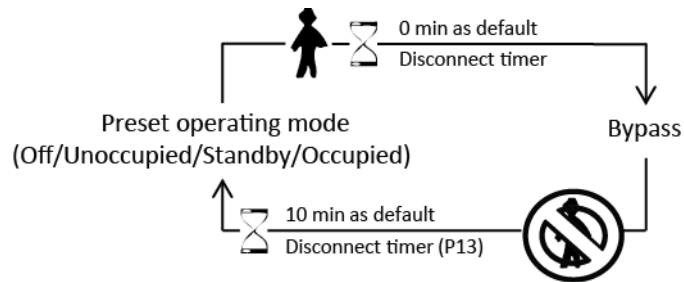
For models with fan control (RC-CF/CFO/CDFO/C3DFOC), the Occupancy button Shutdown push time is 0 s as a default. This value is configurable via Regio tool[®].

Because of the default 0 s setting, switching operating modes by depressing the Occupancy button functions differently: If the Occupancy button is pressed when the controller is in the preset operating mode or in Bypass mode, the controller will change to Shutdown. If the Occupancy button is pressed in Shutdown mode, the controller will switch to Bypass. After a configurable period of time in Bypass (FS=2 hours), the controller will return to the preset operating mode.



For handling of the Occupancy button in combination with central control, please see the section entitled *Central control*, below.

Occupancy detector



For local control of the operating mode between the preset operating mode and Bypass or Occupied, an occupancy detector is connected.

When occupancy is indicated, the controller changes operating mode to Bypass or Occupied. If you want to be able to enter the room temporarily without activating Presence (to, for example, pick something up) it is possible to configure a power-up delay. This means that Presence is not activated until the power-up delay has expired. The Presence delay can be set to a value between 0 and 60 minutes (FS=0 min).

In Bypass on presence, there is a switch-off timer, which means that if there is no occupancy indication during this time (FS=10 min), the controller will return to the preset operating mode.

Central control

Central control of the operating mode is also possible. By changing the variable **RegioRemoteState**, you can control the operating mode centrally according to the following table (there is a variable list for central control in Part IV of this manual):

RegioRemoteState	Description
0	Central operating mode Off
1	Central operating mode Unoccupied
2	Central operating mode Standby
3	Central operating mode Occupied
4	(Not used)
5 (FS)	No central control

Table 13. The variable *RegioRemoteState*

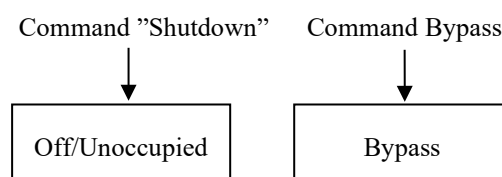
The occupancy button When using central control (i. e. $\text{RegioRemoteState} \neq 5$) and you press the Occupancy button, the controller will change to Bypass and stay in this mode for as long time as you have configured. If you press the Occupancy button again when the controller is in Bypass, the controller will change to Stand-by, regardless of what has been set in the central control (*RegioRemoteState*).

When the controller is in Bypass and the Bypass time has run out, the controller will change to the operating mode given by **RegioRemoteState**. If **RegioRemoteState** equals 5 it will change to the preset operating mode.

If the controller is in Stand-by and the central control is changed, the controller will change to this new operating mode.

Occupancy detector When central control is used and the occupancy detector is activated, the controller will go to Bypass for a configurable time, and thereafter return to the central operating mode.

Central command Via central commands from a comprehensive system, for example EXO4, you can handle the controller in the same way as you handle it locally via the Occupancy button, i. e. you can change its operating mode to Off/Unoccupied (Shutdown) or Bypass.



Central commands should be regarded as events and can be changed locally via the Occupancy button.

Chapter 9 Setpoint calculation

Basic setpoint

There are two basic setpoints, one basic heating setpoint (FS=22°C) and one basic cooling setpoint (FS=24°C). Units without display have DIP switches to change the setpoints (see *Table 3*). The basic cooling setpoint is automatically changed at the same time. Therefore, the difference between the basic heating setpoint and the basic cooling setpoint is always the same.

On models with display, the basic setpoint is set in the display.

On all models, you can also configure the setpoints via a central system or Regio tool®. When the model has DIP switches, the latest setpoint change will be valid.

Setpoint offset

On all models, except RC-C3H and RC-CTH, the setpoint value can be adjusted up and down from the basic setpoint value, via the setpoint knob or the display. How much the value can be adjusted can be configured in Regio tool® or in the parameter menu in the display (FS=±3°C).

In models with display, you use the INCREASE button to increase the current setpoint in steps of 0.5°C to the max. limit, and the DECREASE button to decrease the current setpoint in steps of 0.5°C to the min. limit.

RC-C3H and RC-CTH have neither display nor setpoint knob. On these models, the setpoint is adjusted from the back of the electronics cassette with a small screwdriver.

Calculation of the active setpoint

What setpoint value the controller should control according to depends on the operating mode, the control mode and the current setpoint offset.

Off	In operating mode Off or on open window the controller is a heating controller, and controls according to the frost protection setpoint (FS=8°C), regardless of the setpoint adjustment.
Unoccupied	In operating mode Unoccupied, it controls according to the heating setpoint (FS=15°C) if a control mode with heating has been set and the room temperature is lower than this setpoint. If the room temperature is higher than the cooling setpoint (FS=30°C) and a control mode with cooling has been set, the unit is a cooling controller and controls according to the cooling setpoint. The active setpoint changes in the middle of the neutral zone with a hysteresis of 0.1°C. A setpoint adjustment is not active in this operating mode.
Stand-by	In operating mode Stand-by the controller controls according to the basic heating setpoint or the basic cooling setpoint plus/minus a settable neutral zone (FS=3°C). The setpoint can also be adjusted via the setpoint knob or display. This means that the factory setting for the heating setpoint is 19°C +/- 3°C (local adjustment) and the cooling setpoint is 27°C +/- 3°C (local adjustment). On heating demand the unit will control according to the heating setpoint, and on cooling demand it will control according to the cooling setpoint. The setpoint change takes place halfway between the setpoints with a hysteresis of 0.1°C.
Occupied/Bypass	In operating modes Occupied and Bypass the unit controls according to the basic heating setpoint or the basic cooling setpoint. The setpoint can also be adjusted via the setpoint knob or display. The setpoint change takes place halfway between the setpoints with a hysteresis of 0.1°C.

Setpoint display at setpoint adjustment

Parameter 74 is used to set what is shown in the display when the setpoint is adjusted.

- 0 = The added adjustment is shown in the display. Example: +1.5°C. The adjustment is added to both the heating and cooling setpoints.
- 1 = The sum of the control setpoint and the adjustment is shown in the display. Example: The control setpoint is 22°C and the added adjustment is +1.5°C. This means that the value 23.5°C will be shown in the display. "HEAT" or "COOL" will flash depending on which of the setpoint values is the control setpoint when you enter the setpoint menu, i.e. depending on which setpoint you are changing. The adjustment is added to both the heating and cooling setpoints.
- 2 = The sum of the heating setpoint and the adjustment is shown in the display. The adjustment is added to both the heating and cooling setpoints.
- 3 = The sum of the cooling setpoint and the adjustment is shown in the display. The adjustment is added to both the heating and cooling setpoints.

Chapter 10 Actuators

Regio can be used with four types of actuators:

- Analogue 0...10 V actuators
- Thermal actuators
- 3-point actuators (Increase/Decrease actuators)
- On/Off spring return actuators

On units without display, it is possible to select if thermal or analogue actuators will be used via the DIP switches. For other actuators and Regio models, the actuator type is set via Regio tool[®] or, for controllers with a display, in the parameter menu.

Analogue actuators

The following output signals can be set for analogue actuators:

- 0...10 V (FS)
- 2...10 V
- 10...2 V
- 10...0 V

Thermal actuators

When thermal actuator control has been selected, it is controlled digitally with time proportional pulses via output UO1 and UO2. By pulsing, the opening degree of the actuator (and its valve) is varied. The period time (in seconds) is the sum of the on and off output times on the output. The period time is FS=60s. The controller varies the on and off output times proportionally depending on the output signal demand to the actuator.

3-point actuators

For 3-point actuators (increase/decrease actuators, -T-models), two digital outputs are used for controlling one actuator, one output to open the actuator and one to close it. You can configure the run time (in seconds) for the different actuators (FS=120 s). The program calculates the position of the actuator (0...100 %) and sends an increase or decrease signal when the controller output signal deviates more than the set neutral zone (FS=2 %) from the calculated position.

In order not to subject the actuator motor to unnecessary wear, it is possible to configure the outputs for 3-point actuators so that they will close after a control period of one minute plus run time, at either 0 % or 100 %. This takes place via Modbus (Coil status register 23) or using Regio tool[®].

On/Off actuators

On/Off actuators can be used in control modes 0-8.

Control mode:

0 = Heating

1 = Heating/Heating

2= Heating or Cooling via change-over function

3 = Heating/Cooling

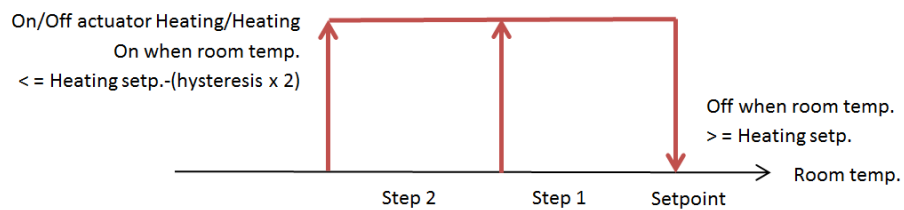
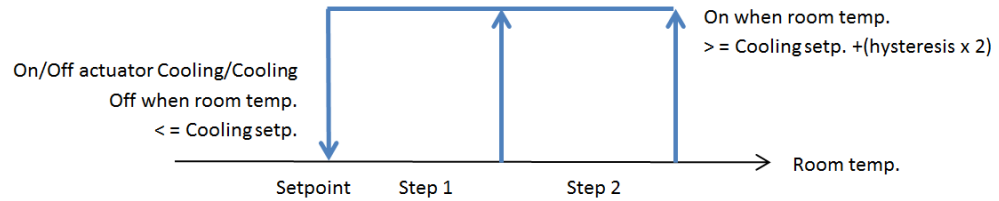
6 = Cooling

7 = Cooling / Cooling

The actuators operate using a hysteresis (FS=2K), as depicted below.

In control mode 1 and 7, the actuators are controlled in sequence.

When in heating mode, the temperature is permitted to fall below the setpoint minus the hysteresis before opening the actuator. The actuator will then remain open until the temperature has reached the setpoint. In cooling mode, the opposite will occur.



Actuator exercise

All actuators are exercised. The exercise takes place at set intervals in hours (FS=23 hours interval). An opening signal is sent to the actuator for as long as the configured run time. Then a closing signal corresponding to the length of the run time is sent and the exercise is finished.

On units with a display, the exercise can be inactivated by setting parameters 36 and 37 to zero (0).

Chapter 11 Fan control

In controllers for fan control (...F-models) it is possible to control a fan at the following speeds: Off, Low speed, Medium speed, High speed, Auto. The fan speed in the Auto position depends on the controller output signal and the settings for each speed.

Fan speed control

Manual control

The fan can be manually controlled to work at any speed. On models with display, you press the fan button once and a fan symbol is lit for 5 seconds in the display. As long as the symbol is lit, you can change the fan speed by repeatedly pressing the fan button. Models without display have a fan switch.



Figure 14. Fan button on models with display

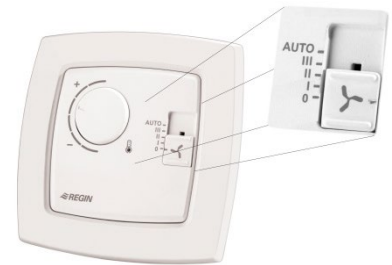


Figure 15. Fan switch on models without display

The controller has the following positions:

- Auto** = Automatic control of the fan speed to maintain desired room temperature
- 0** = Manual off
- I** = Manual position with low speed
- II** = Manual position with medium speed
- III** = Manual position with high speed

Manual setting of speed I-III means that the speed of the fan in operating modes Stand-by, Occupied and Bypass is always the set speed. In the other operating modes, the fan is demand controlled.

Auto control

In auto mode, you can configure if the fan should be controlled by the heating output, the cooling output, or both the heating and cooling outputs. When the selected output exceeds the start value that has been set for each speed (FS speed 1=20 %, speed 2=60 %, speed 3=100 %), the fan is activated. It stops when the controller output signal drops below the set value minus the set hysteresis (FS=5 %).

When the fan speed changes, there is always a minimum delay (2-3 s) between the inactivation of the output for the current speed and the activation of the output for the new speed. Only one fan speed output is defined at a time.

Fan stopped

In operating modes Off and Unoccupied, the fan is stopped, regardless of the position of the fan switch or the setting in the display, on condition that the temperature is within the set temperature limits. If the temperature is not within the set temperature limits, the fan will be started in the corresponding Auto position, regardless of the settings.

No fan stop

Models RC-CF/CFO and CDFO contain an option in which the fan will never stop in operating modes Bypass, Occupied and Standby but instead continue to run at fan speed 1. This function uses parameter number 41. The factory setting for this option is 0, meaning that the function is disabled. This function will only work if the fan is in Auto mode; if the fan is set to manual mode, the manual setting will instead be applied.

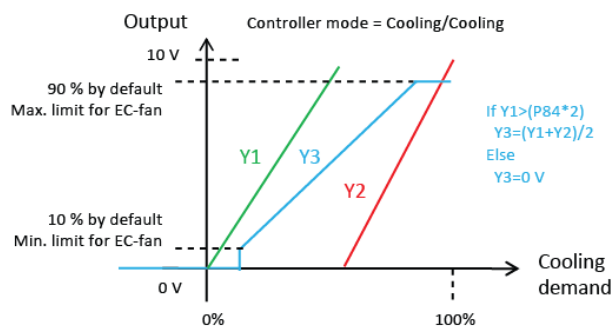
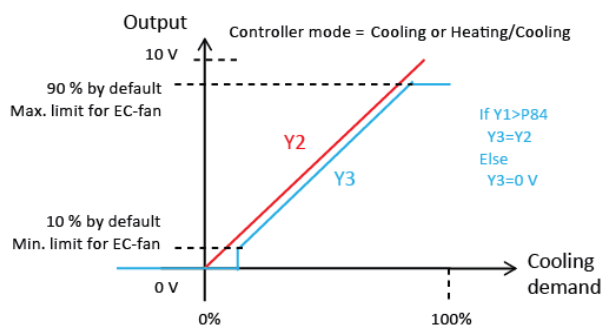
EC fan control

Models RC-C3/C3H/C3O/C3DOC and C3DFOC offer an added function for the control of EC fans. When this function is active, Y3 will follow Y1 and Y2, respectively. As for ...F models with fan control, it is possible to select whether the fan will run in Heating or Cooling, or in both Heating and Cooling. This setting is made using the same parameter (P50) as for other fan models.

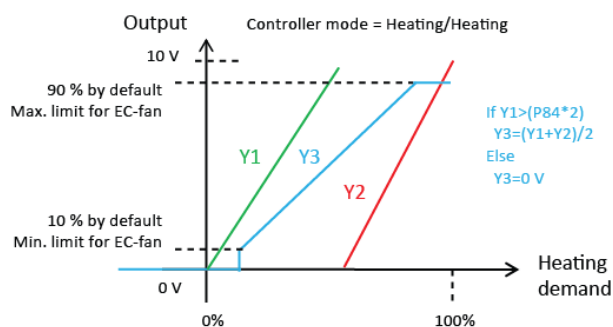
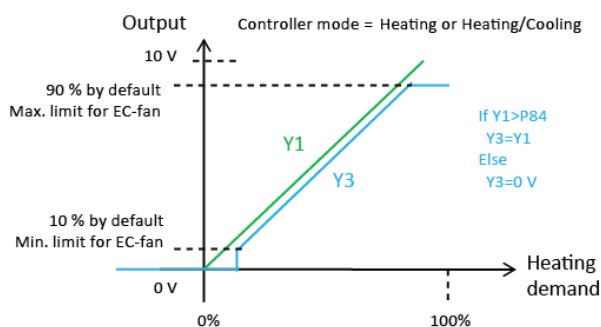
The function is activated by setting UO3 to Control of EC fan (P22). It may be activated in control modes Heating, Heating/Heating, Heating or Cooling via change-over, Heating/Heating or Cooling via change-over, Heating/Cooling, Cooling/Cooling and Cooling.

The function will add a minimum limit to UO3, so that the fan will have sufficient supply voltage.

Cooling mode

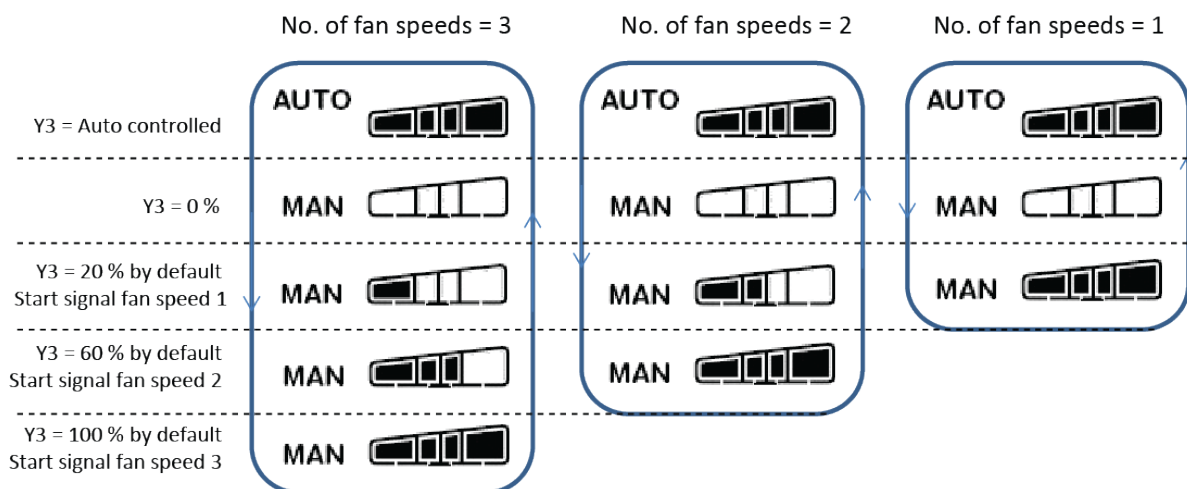


Heating mode



For model RC-C3DFOC, the fan button will control the EC fan output to preset speeds and then offer feedback to the user through the fan segment displayed. This takes place in the same way as for other ...F models.

When the fan button is depressed, it will step through the configured fan levels:



NOTE: Regio tool[®] contains the text "Controller output for fan speed". For an EC fan, this signifies the output level for fan speed 1, 2 and 3. When in auto mode, the output is fully stepless.

Prevent manual fan control

This function prevents manual control of the fan when it is not desirable for it to be affected by the Cooling/Heating output signal. If the fan is not activated and set to follow the Cooling/Heating signal, it should not be possible to alter the fan speed manually. Please note that if the fan configuration is set to not follow the cooling or heating signal and this function is simultaneously active, the fan will not be controllable using the fan button.

This function works as described below:

Parameter 91 setting	Is manual fan control available?	
	If heating signal	If cooling signal
0 = The fan is controlled neither by heating nor cooling demand	No	No
1 = The fan is controlled by heating demand	Yes	No
2 = The fan is controlled by cooling demand	No	Yes
3 = The fan is controlled by both cooling and heating demand	Yes	Yes

If the controller has a fan button (only applies to models with a display), fan control will return to auto mode when the controller changes control mode from cooling to heating or vice versa. If the controller has a fan switch (only applies to models without a display), fan control will instead return to the current fan speed mode.

Fan boost function

If there is a great difference between the room setpoint and current room temperature, or if one simply wishes to hear the fan start, a boost function can be activated to make the fan run at top speed for a set duration. An extra controller is then running in the background, using a P-band for fan control separate from that of the ordinary controller. The controller with the highest value will be outputted to the fan. The P-band is fixed and cannot be changed. When this function is active, the fan will initially run at full speed for 10 s and then decrease to the speed set by the extra controller for the remainder of the time set for the boost function.

The boost function has a higher priority than the manually set fan speed.

Fan kickstart

When using today's energy-saving EC fans, there is always a risk the fan will not start due to the low control voltage preventing the fan from exceeding its starting torque. The fan will then remain at a standstill while power still flows through it, which may give rise to damage. The kickstart function ensures fan output is set to 100 % for a set time (1...10 s) thereby making sure the starting torque is exceeded. Kickstart is activated when the lowest fan speed is selected. The function is also active during manual fan control. After the set time (1-10 s) has elapsed, the fan will return to its original speed.

Chapter 12 Special functions

Change-over function

Change-over is a function for installations with 2-pipe systems. It makes it possible to use the same pipe for both heating and cooling, depending on requirements during for example the summer (cooling output) and the winter (heating output).

Control modes To activate the change-over function, control modes "Heating or Cooling via change-over" or "Heating/Heating or Cooling via change over" needs to be configured.

All controllers in the Regio series have an input for change-over. To be able to configure the control mode "Heating/Heating or Cooling via change-over", it is necessary to have a Regio Midi controller with fan function. The input can be either of the type analogue PT1000-sensor or a closing contact connected to a digital input (FS=PT1000-input).

Change-over digital When using a digital signal input (potential-free contact), closing the contact will activate the change-over function and set the heating output, UO1 alt. DO2/DO3 (-T-models), to cooling. On open contact, the change-over function will set the heating output to heating.

Change-over analogue In this mode, the change-over function will measure the difference between the room and media temperature. As long as the heat valve is more than 20 % open, or every time a valve exercise is performed, the difference between the media and room temperature will be calculated. If the temperature difference is greater than the configured value (differs for Heating and Cooling mode), the control mode will change. The factory settings for the difference between Heating and Cooling change-over are:

- Change from Heating to Cooling = 4K
- Change from Cooling to Heating = 3K

This setting may be changed using parameters number 9 and 10.

Forced ventilation

All Regio midi controllers have functionality for forced ventilation. All controllers except RC-C3DFOC have a digital output for controlling a forcing damper to increase the airflow to the room. This output is always activated in operating mode Bypass.

When control mode "Heating/Cooling with VAV-control and forced supply air function" is active, the cooling output is used to control the forcing damper. When forced ventilation is active, the cooling output is set to full cooling, regardless of what the controller output signal is.

Models RC-C3/RC-C3H/RC-C3O/RC-C3DOC can select whether the forced ventilation output should be a 0...10 V analogue output or a 24 V digital output (parameter 22).

Condensation sensor

Special input CI There is a special input (CI) on all Regio controllers. This input is intended for Regio's condensation sensor, KG-A/1, and functions internally as a digital input, i. e. condensation or no condensation.

When the condensation sensor is activated, the cooling control is blocked and the controller is set in neutral position. When condensation ceases, the controller will start controlling from the neutral position.

Window contact	When window contact has been configured, the controller is set to normal mode on closed window. On open window, the controller is set to off mode, the heating and cooling outputs are set to 0 V and the frost protection function is activated.
Run indication, DI2	Digital input 2 (DI2) can be configured for run indication of e.g. an air handling unit. This indication can then be read in EXOline and Modbus. The change is made in parameter 18.

Frost protection

Regio has built-in frost protection, which is activated when the controller is not in use. The frost protection prevents the temperature from dropping below 8°C. Return to normal fan speed and control occurs automatically when the room temperature exceeds 8°C.

High/low room temperature alarm

High/low temperature alarm is a function to indicate if the room temperature is too high or too low.

The high room temperature alarm will trigger when the room temperature exceeds the configured high temp limit (FS=40°C).

The low room temperature alarm will trigger when the room temperature falls below the configured low temp limit (FS=15°C).

The alarms are implemented as points that trigger when the temperature either exceeds or falls below the limits, and return as soon as the temperature returns. There is no advanced alarm handling, incorporating blocking or acknowledging or so forth. There is only an indication for faulty temperatures. All other alarm and alarm handling functions must be handled by a supervisory system.

Lighting control

UO3/DO4/DO1 can be used for lighting control. When UO3/UO4/DO1 is configured for lighting control, the following applies:

Digital input 1	UO3/UO4/DO1 is activated when presence is detected via DI1. The output then remains active for as long as presence is detected. The Standby/Occupied/Bypass operating modes are active as usual.
Off mode	If the controller is in Off-mode (Off/Unoccupied), the occupancy input (DI1) will be active if UO3/DO4/DO1 is configured for lighting control.
Occupancy button	This button still controls On/Off and forced ventilation. If UO3/DO4/DO1 is configured for lighting control, the output will not be activated if a button is pressed.

Chapter 13 Indications

LED

All controllers without a display, except RC-CH and RC-CTH, have a LED shaped like a thermometer on the front. A red indication is shown when heating control is functional and a blue indication is shown when cooling control is active. When there is something wrong with the controller or if a setting is incorrect, the LED will flash red and blue.



Figure 15. The LED

The occupancy button

In models without a display, the occupancy button has the following indications:

- Occupied: Fixed green indication
- Standby: Flashing green indication
- Bypass: Fixed green indication with a short flash
- Off and Unoccupied: No indication

For each of the above running modes, indications can be configured to behave in the following ways using Regio tool[®]:

- Off = 0
- Flashing = 1
- Fixed light = 2
- Fixed with short flash = 3



Figure 16. The occupancy button

On Regio models with a display, these indications are shown in the display. See the chapter *Display handling*.

Communication LED

When the frame has been removed, a LED is visible in the right edge of the controller. It lights up green when the controller is sending information.

Chapter 14 Display handling

The Midi models RC-C3DO/RC-C3DFOC/RC-CDFO and RC-CDTO have a display instead of a setpoint knob.

These models also have an Occupancy button, as well as an INCREASE button and a DECREASE button to increase and decrease the setpoint.

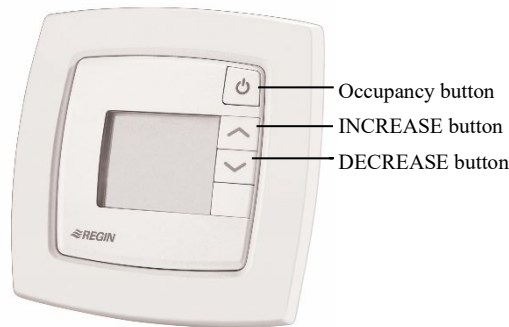


Figure 17. Buttons for display handling

Display indications

The display has the following indications (indications marked with an asterisk (*) are only available on -F-models):

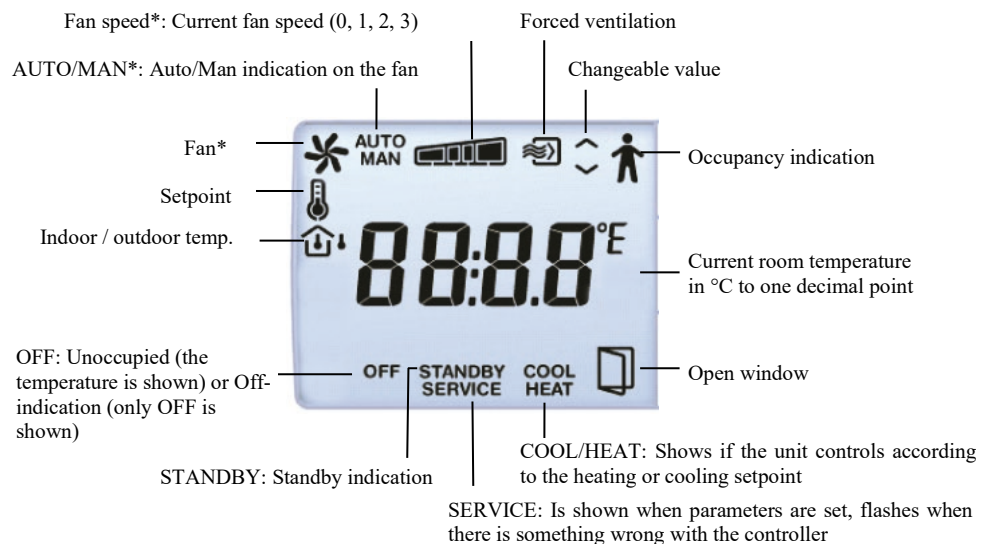


Figure 18. Indications in the display

Parameter menu

It is possible to set different parameter values in a parameter menu. The parameter menu is accessed by simultaneously holding the INCREASE and DECREASE buttons depressed for about 5 seconds and then pressing the INCREASE button twice. The Service indication will be displayed.

The display will initially show the parameter number “1”. Use the INCREASE and DECREASE buttons to scroll between parameters.

Press the Occupancy button to select the desired parameter. The parameter number will be replaced by the parameter value. The value can be changed using the INCREASE and DECREASE buttons. If a button is held depressed the value will start scrolling, first slowly and then with increasing speed in 3 – 4 steps with 2 – 3 seconds between steps.

Acknowledge/Regret

To acknowledge and store a set parameter value, press the Occupancy button again, the display then returns to showing the parameter number. To retrieve the original value, i.e. the value before change, press the INCREASE and DECREASE buttons at the same time. The original value is shown on the display.

Return

After a certain time, about 1 minute, or when the INCREASE and DECREASE buttons are pressed at the same time while in the menu, the display returns to the normal view. Exit is shown on the display after the last parameter. The parameter menu is exited by pressing the Occupancy button while in Exit. Pressing on INCREASE goes to the first parameter and pressing on DECREASE goes to the last parameter.

Blocking of buttons

To prevent unauthorised users from accessing important functions, Regio controllers have a built-in function for blocking button access. As seen in the below tables, blocking may take place in different ways. The INCREASE/DECREASE buttons are always blocked/unblocked simultaneously. If the INCREASE/DECREASE buttons are blocked, the parameter menu can still be reached normally. Parameter 108 is used for configuration.

For models without a fan button and configuration options 4-6, the function remains the same as for options 0-3.

Configuration options	Button function
0	No button is active
1	Only Occupancy button active
2	Only INCREASE/DECREASE buttons active
3	Occupancy and INCREASE/DECREASE buttons active
4	Only fan button active
5	Occupancy and fan buttons active
6	INCREASE/DECREASE and fan buttons active
7	All buttons active

Configuration options	Occupancy button active	INCREASE/DECREASE buttons active	Fan button active
0			
1	X		
2		X	
3	X	X	
4			X
5	X		X
6		X	X
7	X	X	X

Configuration menu blocking

This function prevents unauthorised access to the configuration menu using the buttons on the front of the device. When the function is active, all buttons will function normally except for the configuration menu no longer being accessible when INCREASE and DECREASE are pressed simultaneously. The function can be activated via the display, Regio tool[®] and Modbus. Please note that if the function is activated via the display, re-entering the parameter list via the display will be prevented. The function must then be deactivated using Regio tool[®].

Parameter list

The following parameters can be changed in the parameter menu (FS = Factory setting):

Parameter number	Description	FS
1	Basic heating setpoint	22°C
2	Basic cooling setpoint	24°C
3	Neutral zone at standby, Heating setpoint = Basic sp. heating-3 by default Cooling setpoint = Basic sp.cooling+3 by default	3°C
4	Heating setpoint at Unoccupied	15°C
5	Cooling setpoint at Unoccupied	30°C
6	Frost protection setpoint	8°C
7	P-band for room controller	10°C
8	I-time for room controller	300 s
9	The difference between the temperature in the room and the media temperature for change-over to cooling	3K
10	The difference between the temperature in the room and the media temperature for change-over to heating	4K
11	Control mode: 0=Heating 1= Heating / Heating 2= Heating or Cooling via change-over 3= Heating / Cooling 4= Heating / Cooling with VAV-control and forced ventilation 5= Heating / Cooling with VAV-control 6= Cooling 7= Cooling / Cooling 8= Heating / Cooling/VAV (C3-models, except RC-C3DFOC) 9=Heating / Heating or Cooling via change-over (only available on models with fan control) 10 = Change-over with VAV function	3
12	Time in Bypass mode	120 min
13	Disconnect timer with Occupancy/Unoccupancy	10 min
14	Switch-on delay for Occupancy	0 min
15	State connected sensor on AI1: 0=Internal sensor 1=External room sensor 2=Change-over sensor (RC-C3DOC/C3DFOC) 3-10 = No function 11 = Supply air temperature limitation sensor	0
16	State connected sensor on UI1: (All models except RC-C3DOC/C3DFOC) 0=None 1=Change-over digital 2=Change-over analogue	2
17	State connected sensor on DI1: 0=Not active 1=Window contact 2= No function 3= Presence detector 4=Change-over sensor (RC-C3DOC/C3DFOC) 5-6=No function	1

Parameter number	Description	FS
18	State connected sensor on DI2: 1=Window contact 2=Condensation sensor 3=No function 4=Change-over sensor (RC-C3DOC/C3DFOC) 5 = No function 6 = No function 7 = Run indication	2
20	State connected function on UO1: 0=None 1=Thermal actuator heat 2= None 3=Heating actuator 0...10 V 4= None 5=On/off actuator heat 6= None	3
21	State connected function on UO2: 0= None 1= None 2=Thermal actuator cool 3= None 4=Cooling actuator 0...10 V 5= None 6=On/off actuator cool	4
22	State connected function on UO3: 0= None 1=Forced vent. digital 2=Analogue output (OEM) 3 = Lighting control 4 = Analogue output 5=Control of EC fan (RC-C3-models)	1
24	Y3 output in manual mode (only if Y3 is configured as an analogue output; not available for RC-C3DFOC)	0 %
28	State output signal range for Y3-actuators: 0=0...10 V 1=2...10 V 2=10...2 V 3=10...0 V	0
29	State output signal range for heating actuators: 0=0...10 V 1=2...10 V 2=10...2 V 3=10...0 V	0
30	State output signal range for cooling actuators: 0=0...10 V 1=2...10 V 2=10...2 V 3=10...0 V	0
31	Period time for heating actuators with thermal actuator	60 s
32	Period time for cooling actuators with thermal actuator	60 s
33	Run time for heating actuators with increase/decrease actuators	120 s
34	Run time for cooling actuators with increase/decrease actuators	120 s
35	Neutral zone for increase/decrease actuators	2%
36	Time in hours between exercise of heating actuators	23h
37	Time in hours between exercise of cooling actuators	23h
38	Hysteresis for on/off actuators and heating	2K
39	Hysteresis for on/off actuators and cooling	2K
40	Minimum limit for the heat output	20 %
41	The fan will never stop 0=OFF 1=ON	0

Parameter number	Description	FS
42	Select if setpoint or actual value is to be shown in the display. 0=Actual value 1=Heat setpoint 2=Cool setpoint 3=Average value of heating and cooling setpoint 4=Only setpoint offset 5= CO ₂ concentration in the room in ppm (RC-C3DOC/C3DFOC) 6=Heating setpoint +setpoint offset 7=cooling setpoint+setpoint offset 8=Average of heating and cooling setpoint+setpoint offset 9=The calculated flow in the duct in l/s (RC-C3DOC/C3DFOC)	0
43	Highest permitted setpoint adjustment upwards	3°C
44	Highest permitted setpoint adjustment downwards	3°C
45	Preset operating mode: 0=Off 1=Unoccupied 2=Stand-by 3=Occupied. Forced ventilation is not set in Occupied mode.	3
46	State operating mode by pressing the occupancy button for 5 s: 0=Off 1=Unoccupied.	1
47	Select operating mode for central control: 0=Off 1=Unoccupied 2=Stand-by 3=Occupied 5=No central control	5
48	Min flow at cool output when control mode Heating/Cooling with VAV-control is selected Min flow at Y3 output when control mode Heating/Cooling/VAV is selected	20 %
49	Max flow on Y3 output when control mode Heating/Cooling/VAV is selected and in heating mode	0 %
50	Configuration of fan control: 0=No control 1=Fan is controlled by heating demand 2=Fan is controlled by cooling demand 3=Fan is controlled by both heating and cooling demand	3
51	Start signal in % for fan speed 1 on heating or cooling control	5%
52	Start signal in % for fan speed 2	60%
53	Start signal in % for fan speed 3	100%
54	Hysteresis for start/stop of fans	5%
55	State number of speeds for the fan (1, 2 or 3)	3
56	Temperature compensation on AII	0°C
57	Temperature compensation on UII	0°C
58	Temperature compensation on internal room sensor	0°C
59	Filter factor for analogue temperature inputs	0,2
60	State NO/NC digital input 1: 0=NO (Normally open) 1=NC (Normally closed)	0
61	State NO/NC digital input 2: 0=NO (Normally open) 1=NC (Normally closed)	1
62	State NO/NC universal input 1: 0=NO (Normally open) 1=NC (Normally closed)	0
63	Manual/Auto Heating output: 0=Off 1=Manual 2=Auto	2
64	Manual/Auto cooling output: 0=Off 1=Manual 2=Auto	2

Parameter number	Description	FS
65	Manual/Auto Y3 forced ventilation output: 0=Off 1=Manual 2=Auto For C3 models (except C3DFOC), manual mode means that Y3 puts out what is stated in parameter 24 if Y3 is configured as an analogue output. When Y3 is configured as a Digital output (including for C3 models) or does not exist, this parameter constitutes the Manual/Auto mode for the forced ventilation.	2
66	Manual/Auto control of change over mode: 0=Heat control 1=Cool control 2=Automatic change over depending on analogue sensor input or digital input	2
67	Heating output in manual mode	0 %
68	Cooling output in manual mode	0 %
69	Controller Modbus address	Factory set
70	Parity but Modbus communication: 0=No parity 1=Odd parity 2=Even parity 3 = No parity, 1 stop bit	2
71	Modbus time out for character (t1.5), in ms. Should be 1,5 times a character, i.e. at least 2 ms.	3 ms
72	Answer delay in Modbus (t3.5), in ms. Should be 3,5 times a character, i.e. at least 5 ms.	5 ms
73	Selection of heating output function (NO/NC): 0=NC (Normally closed) 1=NO (Normally opened)	0
74	Setpoint display at setpoint adjustment.: 0=The offset is shown in the display 1=The active setpoint + offset is shown in the display. Heat or Cool is shown depending on whether heat or cool is active when entering the menu 2=Heat setpoint + offset is shown in the display 3=Cooling setpoint + offset is shown in the display	0
75	Sequence order for Y2 and Y3: 0=Y2 activates before Y3 1=Y3 activates before Y2	0
76	Forced ventilation, control function: 0=Not active 1=Forced ventiaition at 100% output of heat or cool 2=Forced ventilation at 100% Cool output	0
77	Operating mode at presence detection (DI1): 3=Occupied 4=Bypass	4
78	EXOline PLA-address	Factory set
79	EXOline ELA-address	Factory set
80	Selection of cooling output functions (NO/NC): 0=NC 1=NO	0
81	State the connected sensor at AI2: (Only RC-C3DOC/C3DFOC) 0=None 1- 4=No function 5= CO ₂ -sensor 6=No function 7=0...100% (OEM-function) 8=Flow calculation 9=0...10 V	5
82	Flow at 0 V input in AI2	0 l/s
83	Flow at 10 V input in AI2	100 l/s
84	Minimum runtime when calculating for change over	600s
86	Alarm limit for high room temperature	40°C
87	Alarm limit for low room temperature	15°C

Parameter number	Description	FS
91	Function to prevent user from setting manual fan speed if fan should not run due to cooling/heating output according to parameter 50. 0 = Not active 1 = Active	0
92	Fan boost function. Activation time: 0 = Not active 1-10 = The function is active for 10 s. 10-600 = Total activation time	0
93	Boost function, configuration: 0 = Heating mode only 1 = Cooling mode only 2 = Both heating and cooling mode	1
94	Fan kickstart. The fan will run 100 % when starting up for the set time. 0 = Not active 1-10 = Active for set time (seconds)	0 seconds
97	Activate presence if CO ₂ level is higher (RC-C3DOC/C3DFOC)	800ppm
98	Deactivate presence if the CO ₂ level is lower than the limit minus this hysteresis (RC-C3DOC/C3DFOC)	160ppm
100	Filter factor for CO ₂ -input (RC-C3DOC/C3DFOC)	0.2
104	CO ₂ -level at 0 V (RC-C3DOC/C3DFOC)	0ppm
105	CO ₂ -level at 10 V (RC-C3DOC/C3DFOC)	2000ppm
108	Button function configuration: 0 = No button is active 1 = Only Occupancy button active 2 = Only INCREASE/DECREASE buttons active 3 = Occupancy and INCREASE/DECREASE buttons active 4 = Only fan button active 5 = Occupancy and fan buttons active 6 = INCREASE/DECREASE and fan buttons active 7 = All buttons active	7
109	Activate parameter menu access via display: 0 = Not active 1 = Active NOTE: Activating this function via the display will prevent re-entry! If so, parameter menu access may be activated again using Regio tool [®] .	0
110	Activate manual bypass timer setting. When the function is active, the user may step through bypass time in 1 hour increments. 0 = Not active 1 = Active	0
111	Controller mode when pressing the On/Off button 3 = Presence 4 = Bypass (forced ventilation)	4
112	Min limit for VAV-damper at CO ₂ -control (RC-C3DOC/C3DFOC)	600ppm
113	Max limit for VAV-damper at CO ₂ -control (RC-C3DOC/C3DFOC)	800ppm
114	This parameter defines the protocol to be used: 0=EXoline/Modbus 1=BACnet MS/TP	0
115	BACnet MS/TP MAC address: 0-127=master address 128-254=slave address	Factory set (00-99)
116	Low 4 figures of the BACnet device ID. 0-9999	Factory set
117	High 3 figures of the device ID.	Factory set
118	BACnet MS/TP Max master.	127
119	COMbus speed: 0=9600 1=19200 2=38400 3=76800 (only BACnet)	0
120	COMbus reset. When activated (1) it resets the communication to default settings	0 (deactivated)
121	Min limit for EC fan (%)	10 %
122	EC fan max limitation (V)	10

Parameter number	Description	FS
123	VAV-damper max limitation (%), control modes 5, 6 and 9	100 %
122	Max limit for EC fan (%)	100 %
125	Model	Factory set (read only)
126	Version Major	Factory set (read only)
127	Version Minor	Factory set (read only)
128	Version Branch	Factory set (read only)
129	Revision	Factory set (read only)
132	Basic flow, Standby	10 %
133	Basic flow when no presence (Unoccupied)	10 %
134	Basic flow, Off	0 %
144	Period time for VAV-actuators with thermal actuators	60 s.
145	Select VAV-actuator function (NO/NC) 0 = NC (normally closed) 1 = NO (normally open)	0
146	Supply air max limitation for cascade control and heating control	35°C
147	Supply air min limitation for cascade control and heating control	24°C
148	Supply air max limitation for cascade control and cooling control	24°C
149	Supply air min limitation for cascade control and cooling control	12°C
150	Cascade factor between room controller and supply air controller	3°C
151	Frost protection temperature for supply air when supply air temperature limitation is active	8°C
152	Activate supply air temperature limitation for: 0 = Heating control 1 = Cooling control 2 = Both heating and cooling control	1

Table 14. Parameter list

Chapter 15 Memory function on power failure

On power failure, settings and configurations are preserved in the controller in a so-called non-volatile memory (EEPROM). All changes made to the settings and configuration is saved in the memory, which means that the latest values are always stored. Measured values, as well as other variables that change often, are not stored.

Values can be saved up to approximately 100 000 times in the non-volatile memory. Therefore, changed values should not systematically and very often be sent to the controller via network communication. Normal changes may still be sent via the network; for example if the operating mode is changed a few times per day.

Example

Activation of Bypass is not stored in the memory. Instead, the controller will return to the preset operating mode after power failure. However, the set operating mode will be saved if central control is being used (parameter 47).

Chapter 16 Modbus signal types

EXOL Types

The EXOL types of the signals:

R = Real (-3.3E38 - 3.3E38)

I = Integer (-32768 - 32767)

X = Index (0 - 255)

L = Logic (0/1)

Modbus Type

The Modbus types of the signals (types in the list below):

1 = Coil Status Register (Modbus function = 1, 5 and 15)

2 = Discrete Input (Modbus function = 2)

3 = Holding Register (Modbus function = 3, 6 and 16)

4 = Input Register (Modbus function = 4)

Supported Modbus functions:

1 = Read Coils

2 = Read Discrete Input

3 = Read Holding Register

4 = Read Input Register

5 = Write Single Coil

6 = Write Single Register

15 = Write Multiple Coils

16 = Write Multiple Registers

Scale factor Modbus

”Discrete Inputs” and ”Coil status register” always have scale factor 1. For ”Input register” and ”Holding register”, see variable list in chapter ”Modbus signals”.

EXOline/Modbus

The Midi controller automatically switches between EXOline and Modbus depending on the present communication type, without any communication error.

Modbus wiring etc.

A protocol such as Modbus consists of several layers (OSI-model). The bottom layer is always the physical layer, number of wires and signal levels. The next layer describes the communication digits (number of data bits, stop-bits, parity etc). Then come the layers describing the Modbus specific functions (number of digits per message, the meaning of different messages etc).

For Modbus, the bottom layer can be RS485, RS422 or RS232.

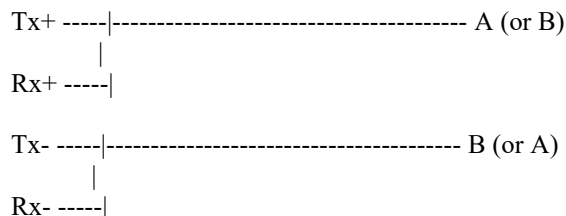
RS485 contra RS422

RS485 and RS422 are the electric part of the protocol, i. e. the physical layer.

RS485 has two connections, A and B. Often there is also a protective earth (N on EXO controllers). RS485 units are connected A → A and B → B. You may have to shift A and B in order for Modbus to work. RS485 is so called half duplex communication: Communication can only go in one direction at a time; i. e. the master will first send an enquiry and will thereafter listen for the reply. A and B are used for both transmission and reception.

RS422 is a full duplex communication which means you need 4 wires, 2 for transmit (Tx+ and Tx-) and 2 for receive (Rx+ and Rx-). Tx is used to transmit and Rx to receive, which means that Tx in one unit must be connected to Rx in the other and vice versa. As for signal levels, etc., RS422 and RS485 are identical.

To interconnect RS485 and RS422: On the RS422 unit connect Tx+ with Rx+ and Tx- with Rx-. We have now changed a 4-wire system to a 2-wire system and can connect them to A and B on the RS485 unit. Which goes where is something you most often need to find out by trial and error. Incorrect polarity will just give nonfunction but cannot harm either unit.



Bitrate, two stop bits, parity is the next layer

These settings must correspond to the settings in the master unit. Find out how the master is set and then give the Controller the same settings.

Parity can be set to odd, even (FS) or none. If none is chosen, two stop bits will automatically be used. It is also possible to configure no parity using one stop bit. In this case, automatic switching between EXOline and Modbus will not function. If odd or even is chosen, only one stop-bit is used, or there will be too many bits altogether: 1 start-bit, 8 data-bits, 1 parity-bit and 1 stop-bit give a total of 11 bits which is the maximum amount.

Chapter 17 Modbus signals

Discrete inputs

Signal name	Type	Modbus address	Description
RC_Actual_L.RegioDigIn(0)	L,2	1	Not used
RC_Actual_L.RegioDigIn1	L,2	2	Value of digital input 1
RC_Actual_L.RegioDigIn2	L,2	3	Value of digital input 2
RC_Actual_L.RegioUDigIn1	L,2	4	Value of universal digital input 1
RC_Actual_L.RegioDigOut(0)	L,2	5	Not used
RC_Actual_L.RegioDigOut1	L,2	6	Value of digital output 1
RC_Actual_L.RegioDigOut2	L,2	7	Value of digital output 2
RC_Actual_L.RegioDigOut3	L,2	8	Value of digital output 3
RC_Actual_L.RegioDigOut4	L,2	9	Value of digital output 4
RC_Actual_L.RegioDigOut5	L,2	10	Value of digital output 5
RC_Actual_L.RegioUDigOut1	L,2	11	Value of universal digital output 1
RC_Actual_L.RegioUDigOut2	L,2	12	Value of universal digital output 2
RC_Actual_L.RegioDIOpenWindow	L,2	13	Indicate open window
RC_Actual_L.RegioDICondenseAlarm	L,2	14	Indicate condense alarm from digital input
RC_Actual_L.RegioDIPresences	L,2	15	Indicate presence from digital input
RC_Actual_L.RegioDIChangeOver	L,2	16	Indicate change over from digital input
RC_Actual_L.RegioFanSpeed1	L,2	17	Indicate fan speed 1
RC_Actual_L.RegioFanSpeed2	L,2	18	Indicate fan speed 2
RC_Actual_L.RegioFanSpeed3	L,2	19	Indicate fan speed 3
RC_Actual_L.RegioForcedventilation	L,2	20	Indicate forced ventilation
RC_Actual_L.RegioCVHeatPulsProp	L,2	21	Indicate pulse prop heating
RC_Actual_L.RegioCVCoolPulsProp	L,2	22	Indicate pulse prop cooling
RC_Actual_L.RegioCVHeatInc	L,2	23	Indicate increase heating
RC_Actual_L.RegioCVHeatDec	L,2	24	Indicate decrease heating
RC_Actual_L.RegioCVCoolInc	L,2	25	Indicate increase cooling
RC_Actual_L.RegioCVCoolDec	L,2	26	Indicate decrease cooling
RC_Actual_L.RegioAIChangeOverState	L,2	27	Indicate change-over state from analogue input
RC_Actual_L.RegioChangeOverState	L,2	28	Indicate change-over state from both digital and analogue input
Not used in this model	L,2	29	
RC_Actual_L.RegioDigOut3	L,2	30	Value of universal digital output 3
RC_Actual_L.RegioPresence	L,2	31	Indicate presence
RC_Actual_L.RegioRoomTempHighTempAlarm	L,2	32	Indicate high room temperature alarm
RC_Actual_L.RegioRoomTempLowTempAlarm	L,2	33	Indicate low room temperature alarm
RC_Actual_L.RegioDICO2	L,2	34	Indicate high CO ₂ level

Signal name	Type	Modbus address	Description
RC_Actual_L.RegioLighting	L,2	38	Lighting control, indication
RC_Actual_L.RegioDIindacation	L,2	39	Run indication, when DI2 is configured as such
RC_Actual_L.RegioPresenceByCo2	L,2	40	Indicates presence from CO ₂ sensor

Coil status register

Signal name	Type	Modbus address	Default value	Description
RC_Setp_L.RegioBypass	L,1	1	0	Force the unit in Bypass mode. Is automatically returned after Bypass time. 0=No bypass 1=Bypass
RC_Setp_L.RegioShutDown	L,1	2	0	Force the unit in Shutdown state. 0=No Shutdown 1=Shutdown
RC_Setp_L.RegioNotUsed	L,1	3		Not used
RC_Setp_L.RegioDiNC(0)	L,1	4		Not used
RC_Setp_L.RegioDi1NC	L,1	5	0	State NO/NC digital input 1: 0=NO (Normally open) 1=NC (Normally closed)
RC_Setp_L.RegioDi2NC	L,1	6	1	State NO/NC digital input 2: 0=NO (Normally open) 1=NC (Normally closed)
RC_Setp_L.RegioUDi1NC	L,1	7	0	State NO/NC universal input 1: 0=NO (Normally open) 1=NC (Normally closed)
RC_Setp_L.RegioCVHeatPulsPropNC	L,1	8	0	Selection of heating output function (NO/NC): 0=NO (Normally open) 1=NC (Normally closed)
Not used in this model	L,1	9-13	0	
RC_Setp_L.RegioMinFanSpeed	L,1	14	0	The fan will never stop: 0=Off 1=On
RC_Setp_L.RegioCVCoolPulsPropNC	L,1	15	0	Selection of cooling output functions (NO/NC): 0=NO (Normally open) 1=NC (Normally closed)
RC_Setp_L.RegioComFactoryDefault	L,1	16	0	Resets communication to default values: 1=Reset (returns to 0)
RC_Setp_L.RegioBlockConfig	L,1	21	0	Prevents parameter menu access via display

Signal name	Type	Modbus address	Default value	Description
RC_Setp_L.RegioPreventManualFanSpeed	L,1	22	0	Function to prevent user from setting manual fan speed if fan should not run due to cooling/heating output according to parameter 50. 0 = Not active 1 = Active
RC_Setp_L.Regio3PEndlimProtect	L,1	23	0	Shuts down the three-position actuator output after 1 minute at 0 % or 100 % output
RC_Setp_L.RegioSteppableBPTimer	L,1	24	0	Activate manual bypass timer setting. When the function is active, the user may step through bypass time in 1 hour increments. 0 = Not active 1 = Active

Input register

Signal name	Type	Modbus address	Scale factor	Description
RC_Actual_X.RegioSoftware	X, 4	1	-	Model
RC_Actual_X.RegioVerMajor	X, 4	2	-	Version Major
RC_Actual_X.RegioVerMinor	X, 4	3	-	Version Minor
RC_Actual_X.RegioVerBranch	X, 4	4	-	Version Branch
RC_Actual_X.RegioRevision	X, 4	5	-	Revision
RC_Actual_X.RegioFanSwitch	X, 4	6	-	Indicates the position of the fan switch: 0=Fan switched off 1=Fan speed 1 2=Fan speed 2 3=Fan speed 3 4=Auto
RC_Actual_X.RegioUnitState	X, 4	7	-	Indicate current unit state: 0=Off 1=Unoccupied 2=Stand-by 3=Occupied 4=Bypass
RC_Actual_X.RegioControllerState	X, 4	8	-	Indicate current controller state: 0=Off 1=Heating 2=Cooling
RC_Actual_X.RegioFanSpeed	X, 4	9	-	Indicate current fan speed: 0=Off 1=Fan speed 1 is on 2=Fan speed 2 is on 3=Fan speed 3 is on
RC_Actual_R.RegioNotUsedX	X, 4	10	-	Not used
RC_Actual_R.RegioRoomTemp	R, 4	11	10	Room temperature
RC_Actual_R.RegioRoomTempExt	R, 4	12	10	Room temperature from external sensor
RC_Actual_R.RegioRoomTempInt	R, 4	13	10	Room temperature from internal sensor

Signal name	Type	Modbus address	Scale factor	Description
RC_Actual_R.RegioAIChangeOver	R, 4	14	10	Change-over temperature
RC_Actual_R.RegioAnaIn1	R, 4	15	10	Value of analogue input 1
RC_Actual_R.RegioUAnaIn1	R, 4	16	1	Value of universal analogue input 1
RC_Actual_R.RegioUAnaOut1	R, 4	17	-	Value of universal analogue output 1
RC_Actual_R.RegioUAnaOut2	R, 4	18	-	Value of universal analogue output 2
RC_Actual_R.RegioSetPAdjustment	R, 4	19	10	Setpoint adjustment from internal device
RC_Actual_R.RegioPIDSetP	R, 4	20	10	The controller setpoint
RC_Actual_R.RegioPIDOutput	R, 4	21	-	The controller output (0...100 %)
RC_Actual_R.RegioHeatOutput	R, 4	22	-	Heat output (0...100 %)
RC_Actual_R.RegioCoolOutput	R, 4	23	-	Cool output (0...100 %)
RC_Actual_R.RegioAI1Raw	R, 4	24	10	The raw value on analogue input 1
RC_Actual_R.RegioUI1Raw	R, 4	25	1	The raw value on universal input 1
RC_Actual_R.RegioUO3Output	R, 4	26	10	Value of universal output 3
RC_Actual_R.RegioUAnaOut3	R, 4	27	10	Value of universal analogue output 3
RC_Actual_R.RegioRoomCO2	R, 4	32	-	CO ₂ input value (ppm)
Not used in this model	R, 4	44	-	
RC_Actual_R.RegioVoltInput	R, 4	45	10	Value of 0...10 V DC input at AI2
RC_Actual_R.RegioRoomFlow	R, 4	46	10	Value of Room Air Flow at AI2
RC_Actual_R.RegioSupplyAirTemp	R, 4	47	10	Supply air temperature from sensor connected to A1
RC_Actual_R.RegioSupplyAirPIDOutput	R, 4	48	-	Supply air controller output
RC_Actual_R.RegioPID2Setp	R, 4	49	10	Room controller output (scaled) and supply air controller setpoint

Holding register

Signal name	Type	Modbus address	Default value	Scale factor	Description
RC_Setp_X.AlaModStat	X, 3	1	-	-	Not used
RC_Setp_X.RegioFreeCoolAvailable	X, 3	2	0	-	Sequence order for Y2 and Y3: 0=Y2 activates before Y3 1=Y3 activates before Y2
RC_Setp_X.RegioHeatOutputSelect	X, 3	3	2	-	Manual/Auto Heating output: 0=Off 1=Manual 2=Auto
RC_Setp_X.RegioCoolOutputSelect	X, 3	4	2	-	Manual/Auto Cooling output: 0=Off 1=Manual 2=Auto

Signal name	Type	Modbus address	Default value	Scale factor	Description
RC_Setp_X.RegioFanSelect	X, 3	5	4	-	Select fan mode: 0 = Off 1 = Manual speed 1 2 = Manual speed 2 3 = Manual speed 3 4 = Auto
RC_Setp_X.RegioFanControlMode	X, 3	6	3	-	Configuration of fan control: 0=No control 1=Fan is controlled by heating demand 2=Fan is controlled by cooling demand 3=Fan is controlled by both heating and cooling demand
RC_Setp_X.RegioFanSpeed1Start	X, 3	7	5 %	-	Start signal in % for fan speed 1 on heating or cooling control
RC_Setp_X.RegioFanSpeed2Start	X, 3	8	60 %	-	Start signal in % for fan speed 2
RC_Setp_X.RegioFanSpeed3Start	X, 3	9	100 %	-	Start signal in % for fan speed 3
RC_Setp_X.RegioFanSpeedHyst	X, 3	10	5 %	-	Hysteresis for start/stop of fans
RC_Setp_X.RegioFanSpeedMax	X, 3	11	3	-	State number of speeds for the fan
RC_Setp_X.RegioForcedVentSelec	X, 3	12	2	-	Manual/Auto Y3 forced ventilation output: 0=Off 1=Manual 2=Auto
RC_Setp_X.RegioChangeOverSelect	X, 3	13	2	-	Manual/Auto control of change-over mode: 0=Heat control 1=Cool control 2=Automatic change over depending on analogue sensor input or digital input
RC_Setp_X.RegioRemoteState	X, 3	14	5	-	Select operating mode for central control: 0=Off 1=Unoccupied 2=Stand-by 3=Occupied 5=No central control
RC_Setp_X.RegioUnitReturnState	X, 3	15	3	-	Preset operating mode: 0=Off 1=Unoccupied 2=Stand-by 3=Occupied. Forced ventilation is not set in Occupied mode.
RC_Setp_X.RegioUnitShutDownState	X, 3	16	1	-	State operating mode by pressing the occupancy button for 5 s: 0=Off 1=Unoccupied.

Signal name	Type	Modbus address	Default value	Scale factor	Description
RC_Setp_X.RegioBtnOnOffTime	X, 3	17	5 s (0 s for F-models)	-	Time to keep the occupancy button depressed before switching to Shutdown state.
RC_Setp_X.RegioControllerMode	X, 3	18	3	-	Control mode: 0=Heating 1= Heating / Heating 2= Heating or Cooling via change over 3= Heating /Cooling 4= Heating /Cooling with VAV-control and forced supply air function 5= Heating /Cooling with VAV-control 6= Cooling 7= Cooling/Cooling 8= Heating /Cooling/VAV (C3-models, except RC-C3DFOC) 9=Heating/Heating or Cooling via change-over (only available in models with fan control) 10= Change-over with VAV-function
RC_Setp_X.RegioCVHeatType	X, 3	19	0	-	State output signal range for Heating-actuators: 0=0...10 V 1=2...10 V 2=10...2 V 3=10...0 V
RC_Setp_X.RegioCVCoolType	X, 3	20	0	-	State output signal range for Cooling actuators: 0=0...10 V 1=2...10 V 2=10...2 V 3=10...0 V
RC_Setp_X.RegioCVHeatExerciseInterval	X, 3	21	23h	-	Time in hours between exercise of heating actuators
RC_Setp_X.RegioCVCoolExerciseInterval	X, 3	22	23h	-	Time in hours between exercise of cooling actuators
Not used in this model	X, 3	23	-	-	
RC_Setp_X.RegioAi1	X, 3	24	0	-	State connected sensor on AI1: 0=Internal sensor 1=External room sensor 2=Change over sensor (RC-C3DOC/C3DFCO) 3-10= No function 11= Supply air temperature limitation sensor

Signal name	Type	Modbus address	Default value	Scale factor	Description
RC_Setp_X.RegioAi2 (RC-C3DOC/RC-C3DFOC)	X, 3	25	5	-	State the connected sensor at AI2: (Only RC-C3DOC/C3DFOC) 0=None 1– 4=No function 5=CO ₂ -sensor 6=No function 7=0...100 % (OEM-function) 8=Flow calculation 9=0...10 V
Not used in this model	X, 3	26	-	-	
RC_Setp_X.RegioDi1	X, 3	27	3	-	State connected sensor on DI1: 0=Not active 1=Window contact 2= No function 3=Presence detector 4=Change over sensor (RC-C3DOC/C3DFOC)
RC_Setp_X.RegioDi2	X, 3	28	2	-	State connected sensor on DI2: 1=Window contact 2=Condensation sensor 3=No function 4=Change over sensor (RC-C3DOC/C3DFOC) 3-10= No function 11= Supply air temperature limitation sensor
Not used in this model	X, 3	29	0	-	
RC_Setp_X.RegioUi1	X, 3	30	2	-	State connected sensor on UI1: (All models except RC-C3DOC/C3DFOC) 0=None 1=Change-over digital 2=Change-over analogue
Not used in this model	X, 3	31-34	-	-	
RC_Setp_X.RegioDo1	X, 3	35	1 (-F-models), 4 (other models)	-	0=Not active 1=Fan speed 1 2=Fan speed 2 3=Fan speed 3 4=Forced ventilation 5=Thermal actuator heating 6=Thermal actuator cooling 7=Increase/Decrease valve, heating increase 8=Increase/Decrease valve, heating decrease 9=Increase/Decrease valve, cooling increase 10= Increase/Decrease valve, cooling decrease 11=Lighting control

Signal name	Type	Modbus address	Default value	Scale factor	Description
RC_Setp_X.RegioDo2 (only used for -F- and -T- models)	X, 3	36	2 (-F- models), 7 (-T- models)	-	2=Fan speed 2 7= Heat valve increase
RC_Setp_X.RegioDo3 (only used for -F- and -T- models)	X, 3	37	3 (-F- models), 8 (-T- models)	-	3=Fan speed 3 8=Heat valve decrease
RC_Setp_X.RegioDo4 (only used for -F- and -T- models)	X, 3	38	4 (-F- models), 9 (-T- models)	-	4=Forced ventilation 9= Cool valve increase
RC_Setp_X.RegioDo5 (only used for -T- models)	X, 3	39	10 (-T- models)	-	10=Cool valve decrease
Not used in this model	X, 3	40-41	-	-	
RC_Setp_X.RegioUo1 (Not -T- models)	X, 3	42	3	-	State connected function on UO1: 0=None 1=Thermal actuator heat 2=None 3=Heating actuator 0...10 V 4=None 5=On/off actuator heat 6=None
RC_Setp_X.RegioUo2 (Not -T- models)	X, 3	43	4	-	State connected function on UO2: 0=None 1=None 2=Thermal actuator Cool 3=None 4=Cooling actuator 0...10 V 5=None 6=On/off actuator cool
RC_Setp_X.RegioModbusSlaveAddr	X, 3	44	Factory set	-	Controller Modbus address
RC_Setp_X.RegioModbusParity	X, 3	45	2	-	Parity of Modbus communication: 0=No parity 1=Odd parity 2=Even parity 3=No parity, 1 stop bit
RC_Setp_X.RegioModbusCharTimeout	X, 3	46	3 ms	-	Modbus timeout for character (t1.5), in ms. Should be 1.5 times a character, i.e. at least 2 ms.
RC_Setp_X.RegioModbusAnswerDelay	X, 3	47	5 ms	-	Answer delay in Modbus (t3.5), in ms. Should be 3.5 times a character, i.e. at least 5 ms.
RC_Setp_X.RegioDispBacklightLO	X, 3	48	10	-	10=Backlight low
RC_Setp_X.RegioDispBacklightHi	X, 3	49	30	-	30=Backlight high
RC_Setp_X.RegioDispContrast	X, 3	50	15	-	15=Display contrast

Signal name	Type	Modbus address	Default value	Scale factor	Description
RC_Setp_X.RegioDisplayViewMode	X, 3	51	0	-	Select if setpoint or actual value is to be shown in the display. 0=Actual value 1=Heat setpoint 2=Cool setpoint 3=Average value of heating and cooling setpoint 4=Only setpoint offset 5=CO ₂ -concentration in the room in ppm (RC-C3DOC/C3DFOC) 6=Heating setpoint +setpoint offset 7=Cooling setpoint+setpoint offset 8=Average of heating and cooling setpoint+setpoint offset 9=The calculated flow in the duct in l/s (RC-C3DOC/C3DFOC)
RC_Setp_X.RegioDispSetpMode	X, 3	52	0	-	Setpoint display at setpoint adjustment: 0=The offset is shown in the display 1=The active setpoint + offset is shown in the display. Heat or Cool is shown depending on whether heat or cool is active when entering the menu 2=Heat setpoint + offset is shown in the display 3=Cooling setpoint + offset is shown in the display 4=Heating occupied setpoint + offset is shown in the display 5=Cooling occupied setpoint + offset is shown in the display 6=Average of heating and cooling setpoints + offset is shown in the display
RC_Setp_X.RegioUo3 (only used for RC-C3xxx-models)	X, 3	53	6 (RC-C3DFOC) or 1 (other C3... models)	-	State connected function on UO3: 0=None 1=Forced ventilation, digital 2=Analogue output (OEM) 3=Lighting control, digital 4=Ordinary analogue output 5=None 6=Control of a EC fan (RC-C3... models)

Signal name	Type	Modbus address	Default value	Scale factor	Description
RC_Setp_X.RegioForcedVentControlMode	X, 3	54	0	-	Forced ventilation, control function: 0=Not active 1=Forced ventilation at 100 % output of heat or cool 2=Forced ventilation at 100 % cool output
RC_Setp_X.RegioUnitDIPresenceState	I, 3	55	4	-	Operating mode at presence detection (DI1): 3=Occupied 4=Bypass
RC_Setp_I.RegioBypassTime	I, 3	56	120 min	-	Time in Bypass mode
RC_Setp_I.RegioPresenceOffTime	I, 3	57	10 min	-	Disconnect timer with Occupancy/Unoccupancy
RC_Setp_I.RegioPresenceOnTime	I, 3	58	0 min	-	Switch-on delay for Occupancy
RC_Setp_I.RegioCVHeatPeriodTime	I, 3	59	60s	-	Period time for heating actuators with thermal actuator
RC_Setp_I.RegioCVCoolPeriodTime	I, 3	60	60s	-	Period time for cooling actuators with thermal actuator
RC_Setp_I.RegioCVHeatRunTime	I, 3	61	120 s	-	Run time for heating actuators with increase/decrease actuators
RC_Setp_I.RegioCVCoolRunTime	I, 3	62	120 s	-	Run time for cooling actuators with increase/decrease actuators
Not used in this model	X, 3	63-67	-	-	
RC_Setp_R.RegioOccSetPHeat	R, 3	68	22°C	10	Basic Heating setpoint
RC_Setp_R.RegioOccSetPCool	R, 3	69	24°C	10	Basic Cooling setpoint
RC_Setp_R.RegioStandbySetPDeadband	R, 3	70	3°C	10	Neutral zone at Stand-by, Heating sp=basic sp .heating-3 by default, Coolsp=Basic sp.cool+3 by default
RC_Setp_R.RegioUnOccSetPHeat	R, 3	71	15°C	10	Heating setpoint at Unoccupied
RC_Setp_R.RegioUnOccSetPCool	R, 3	72	30°C	10	Cooling setpoint at Unoccupied
RC_Setp_R.RegioFrostSetP	R, 3	73	8°C	10	Frost protection setpoint
RC_Setp_R.RegioSetpointOffsetPos	R, 3	74	3°C	10	Highest permitted setpoint adjustment upwards
RC_Setp_R.RegioSetpointOffsetNeg	R, 3	75	3°C	10	Highest permitted setpoint adjustment downwards
RC_Setp_R.RegioSetPOffset	R, 3	76	0 °C	10	The setpoint adjustment
RC_Setp_R.RegioPIDPGain	R, 3	77	10°C	10	P-band for room controller
RC_Setp_R.RegioPIDITime	R, 3	78	300 s		I-time (s) for room controller
RC_Setp_R.RegioCVDeadband	R, 3	79	2%		Deadband for increase/decrease actuators (%)

Signal name	Type	Modbus address	Default value	Scale factor	Description
RC_Setp_R.RegioAIChangeOverDiffHeat	R, 3	80	3K	10	The difference between the temperature in the room and the media temperature for change over to cooling
RC_Setp_R.RegioAIChangeOverDiffCool	R, 3	81	4K	10	The difference between the temperature in the room and the media temperature for change over to heating
RC_Setp_R.RegioAi1Comp	R, 3	82	0°C	10	Temperature compensation on AI1
RC_Setp_R.RegioUi1Comp	R, 3	83	0°C	10	Temperature compensation on UI1
RC_Setp_R.RegioInternalTempComp	R, 3	84	0°C	10	Temperature compensation on internal room sensor
RC_Setp_R.RegioTempFilterFactor	R, 3	85	0,2	10	Filter factor for analogue temperature inputs
RC_Setp_R.RegioMinFlow	R, 3	86	20	-	Min flow at cool output when control mode Heating/Cooling with VAV-control is selected Min flow at Y3 output when control mode Heating/Cooling/VAV is selected
RC_Setp_R.RegioMaxFlowHeat	R, 3	87	0%	-	Max flow on cool output when control mode Heating/Cooling with VAV-control is selected and heating is applied.
RC_SetP_R.RegioRoomTempHighLimit	R, 3	88	40°C	10	Alarm limit for high room temperature
RC_SetP_R.RegioRoomTempLowLimit	R, 3	89	15°C	10	Alarm limit for low room temperature
RC_Setp_R.RegioVAVMaxHeatCool	R, 3	90	100 %	-	VAV-damper max limitation. Applies to control modes 4, 5 and 8.
Not used in this model	R, 3	90-92	-	-	
RC_Setp_R.RegioUo3OutputManual	R, 3	93	0%	-	Y3 Output in manual mode
RC_Setp_R.RegioHeatOutputManual	R, 3	94	0%	-	Heating output in manual mode
RC_Setp_R.RegioCoolOutputManual	R, 3	95	0%	-	Cooling output in manual mode
RC_Setp_R.RegioRoomTempRemote	R, 3	96	-255	10	Room temp set by remote control if external room sensor is configured (-255 = disabled)
RC_Setp_R.RegioCO2_0V (RC-C3DOC/RC-C3DFOC)	R, 3	120	0ppm	-	CO ₂ -level at 0 V (RC-C3DOC/C3DFOC)
RC_Setp_R.RegioCO2_10V (RC-C3DOC/RC-C3DFOC)	R, 3	121	2000ppm	-	CO ₂ -level at 10 V (RC-C3DOC/C3DFOC)
RC_Setp_R.RegioCO2FilterFactor (RC-C3DOC/RC-C3DFOC)	R, 3	125	0,2	10	Filter factor for CO ₂ -input (RC-C3DOC/C3DFOC)

Signal name	Type	Modbus address	Default value	Scale factor	Description
RC_Setp_R.RegioCO2PresenceLimit (RC-C3DOC/RC-C3DFOC)	R, 3	133	800ppm	-	Activate presence if CO ₂ level is higher (RC-C3DOC/C3DFOC)
RC_Setp_R.RegioCO2PresenceHyst (RC-C3DOC/RC-C3DFOC)	R, 3	134	160ppm	-	Deactivate presence if the CO ₂ level is lower than the limit minus this hysteresis (RC-C3DOC/C3DFOC)
RC_Setp_R.RegioCO2LimitLow (RC-C3DOC/RC-C3DFOC)	R, 3	147	600ppm	-	Min limit for VAV-damper at CO ₂ -control (RC-C3DOC/C3DFOC)
RC_Setp_R.RegioCO2LimitHigh (RC-C3DOC/RC-C3DFOC)	R, 3	148	800ppm	-	Max limit for VAV-damper at CO ₂ -control (RC-C3DOC/C3DFOC)
RC_SetpExt_R.RegioFlowFilterFactor	R, 3	149	0	10	Flow filter factor
RC_Setp_R.RegioFanBoostTime	R, 3	276	0	-	Fan boost function. Activation time: 0= Not active 1-10 = The function is active for 10 s. 10-600 = Total activation time
RC_SetpExt_R.RegioFlow_0V (RC-C3DOC/RC-C3DFOC)	R, 3	277	0 l/s	-	Flow at 0 V input in AI2 (l/s)
RC_SetpExt_R.RegioFlow_10V (RC-C3DOC/RC-C3DFOC)	R, 3	278	100 l/s	-	Flow at 10 V input in AI2 (l/s)
RC_SetpExt_R.RegioThermostatHystHeat	R, 3	279	2K	10	Hysteresis for On/Off actuators and heating
RC_SetpExt_R.RegioThermostatHystCool	R, 3	280	2K	10	Hysteresis for on/off actuators and cooling
RC_SetpExt_R.RegioMinHeat	R, 3	281	0 %	-	Min. limit for the heat output
RC_SetpExt_R.RegioMinECFanSpeed (RC-C3DOC/RC-C3DFOC)	R, 3	282	10 %	-	Min. limit for EC fan (%)
RC_SetpExt_R.RegioMaxECFanSpeed (RC-C3DOC/RC-C3DFOC)	R, 3	283	100 %	-	Max. limit for EC fan (%)
RCPSettings.RegioMinFlowStandby	R, 3	285	10 %	-	Basic flow at “Standby” when control state “Heating/Cooling with VAV-control” or “Heating/Cooling/VAV” is configured
RCPSettings.RegioMinFlowUnoccupied	R, 3	286	10 %	-	Basic flow at “Unoccupied” when control state “Heating/Cooling with VAV-control” or “Heating/Cooling/VAV” is configured
RCPSettings.RegioMinFlowOff	R, 3	287	0 %	-	Basic flow at “Off” when control state “Heating/Cooling with VAV-control” or “Heating/Cooling/VAV” is configured

Signal name	Type	Modbus address	Default value	Scale factor	Description
RC_Setp_R.SupplyAirTLim_HeatHi	R, 3	289	35°C	10	Supply air max limitation for cascade control and heating control
RC_Setp_R.SupplyAirTLim_HeatLo	R, 3	290	24°C	10	Supply air min limitation for cascade control and heating control
RC_Setp_R.SupplyAirTLim_CoolHi	R, 3	291	24°C	10	Supply air max limitation for cascade control and cooling control
RC_Setp_R.SupplyAirTLim_CoolLo	R, 3	292	12°C	10	Supply air min limitation for cascade control and cooling control
RC_Setp_R.SupplyAirTLim_CascadeFactor	R, 3	293	3°C	10	Cascade factor between room controller and supply air controller
RC_Setp_R.SupplyAirTLim_FrostProtect	R, 3	294	8°C	10	Frost protection temperature for supply air when supply air temperature limitation is active

Chapter 18 BACnet signal types

BACnet	Bacnet communication is only available in models with display. In order to communicate via BACnet, the protocol has to be changed either via Regio tool [®] or via the parameter list in the display. Once the protocol has been set to BACnet it can only be switched back to EXOline and Modbus via the display.
MS/TP mode	Both MS/TP master and slave are supported. The mode is controlled by setting the MAC address. If < 127, master mode is selected. A MAC address of > 127 enables slave.
Object Type	The BACnet types of the signals (types in the list below): <ul style="list-style-type: none">• Analogue inputs• Analogue values• Binary inputs• Binary values• Loop• Multistate inputs• Multistate values• Device
Out_of_service	The property out_of_service is not writable for all Object Types.
Commandable	The value objects are not commandable (i.e. does not use a priority array).

Chapter 19 BACnet signals

Analogue inputs

Object name	Object-ID	Description	Unit	Writable
RC_Actual_R.RegioRoomTemp	Analog input, 0	Room temperature	°C	No
RC_Actual_R.RegioAIChangeOver	Analog input, 1	Change over temperature	°C	No
RC_Actual_R.RegioAnaIn1	Analog input, 2	Value of analogue input 1	°C	No
RC_Actual_R.RegioUAnaIn1	Analog input, 3	Value of universal analogue input 1	V	No
RC_Actual_R.RegioRoomCO2	Analog input, 4	CO ₂ input value	ppm	No
RC_Actual_R.RegioSupplyAirTemp	Analog input, 5	Supply air temperature	°C	No
RC_Actual_R.RoomFlow	Analog input, 6	Air flow	l/s	No
RC_Actual_R.VoltInput	Analog input, 7	Value on analogue input 2	V	No

Analogue values

Object name	Object-ID	Description	Unit	Writable
RC_Actual_R.RegioUAnaOut1	Analog value, 0	Value of universal analogue output 1	V	No
RC_Actual_R.RegioUAnaOut2	Analog value, 1	Value of universal analogue output 2	V	No
RC_Actual_R.RegioSetPAdjustment	Analog value, 2	Setpoint adjustment from internal device	°C	No
RC_Actual_R.RegioPIDSetP	Analog value, 3	Controller setpoint	°C	No
RC_Actual_R.RegioPIDOutput	Analog value, 4	Controller output	%	No
RC_Actual_R.RegioHeatOutput	Analog value, 5	Heat output	%	No
RC_Actual_R.RegioCoolOutput	Analog value, 6	Cool output	%	No
RC_Setp_R.RegioOccSetPHeat	Analog value, 7	Room base setpoint heating	°C	Yes
RC_Setp_R.RegioOccSetPCool	Analog value, 8	Room base setpoint cooling	°C	Yes
RC_Setp_R.RegioUnOccSetPHeat	Analog value, 9	Room heat setpoint in unoccupied mode	°C	Yes
RC_Setp_R.RegioUnOccSetPCool	Analog value, 10	Room cool setpoint in unoccupied mode	°C	Yes
RC_Setp_R.RegioFrostSetP	Analog value, 11	Frost protection setpoint	°C	Yes

Object name	Object-ID	Description	Unit	Writable
RC_Setp_R.RegioSetPOffset	Analog value, 12	Setpoint adjustment	°C	Yes
RC_Setp_R.RegioHeatOutputManual	Analog value, 13	Manual value heating output	%	Yes
RC_Setp_R.RegioCoolOutputManual	Analog value, 14	Manual value cooling output	%	Yes
RC_Setp_R.RegioRoomTempRemote	Analog value, 15	Remote control of room temperature	°C	Yes
RC_Setp_R.RegioStandbySetPDeadBand	Analog value, 16	Deadband in Standby mode	°C	Yes
RC_Setp_R.RegioCVDeadband	Analog value, 17	Deadband control valve	%	Yes
RC_Setp_R.RegioAIChangeOverDiffHeat	Analog value, 18	Difference between media temperature and room temperature to switch to heating control	K	Yes
RC_Setp_R.RegioAIChangeOverDiffCool	Analog value, 19	Difference between media temperature and room temperature to switch to cooling control	K	Yes
RC_Setp_R.RegioRoomTempHighLimit	Analog value, 20	Alarm limit for high room temperature	°C	Yes
RC_Setp_R.RegioRoomTempLowLimit	Analog value, 21	Alarm limit for low room temperature	°C	Yes
RC_Setp_R.RegioFlow_0V	Analog value, 22	Flow at 0 V input signal at AI2	l/s	Yes
RC_Setp_R.RegioFlow_10V	Analog value, 23	Flow at 0 V input signal at AI2	l/s	Yes
RC_Setp_R.RegioThermostatHystHeat	Analog value, 24	Hysteresis when On/Off control and Heat control	K	Yes
RC_Setp_R.RegioThermostatHystCool	Analog value, 25	Hysteresis when On/Off control and Cool control	K	Yes
RC_Setp_R.RegioMinHeat	Analog value, 26	Minimum heat output at Heat control	%	Yes
RC_Setp_R.RegioMinECFanSpeed	Analog value, 27	Minimum speed for the EC fan	%	Yes
RC_Setp_R.RegioMaxECFanSpeed	Analog value, 28	Maximum speed for the EC fan	%	Yes
RC_Setp_R.RegioAnaOut3	Analog value, 29	Value on universal analogue output 3	V	No
RC_Setp_R.RegioUO3Output	Analog value, 30	UO3 Output (0...100 %)	%	No
RC_Actual_R.RegioPID2Setp	Analog value, 31	Calculated supply air setpoint	°C	No
No function	Analog value, 32-34			
RC_SetpExt_R.RegioCO2LimitLow	Analog value, 35	CO ₂ value when damper starts to open	ppm	Yes
RC_SetpExt_R.RegioCO2LimitHigh	Analog value, 36	CO ₂ value when damper is fully open	ppm	Yes

Binary inputs

Object name	Object-ID	Description	Values	Writable
RC_Actual_L.RegioDIOpenWindow	Binary input, 0	Indicate open window	ACTIVE/ INACTIVE	No
RC_Actual_L.RegioDICondenseAlarm	Binary input, 1	Indicate condense alarm from digital input	YES/ NO	No
RC_Actual_L.RegioDIPresences	Binary input, 2	Indicate presence from digital input	ACTIVE/ INACTIVE	No
RC_Actual_L.RegioDIChangeOver	Binary input, 3	Indicate change over from digital input	ACTIVE/ INACTIVE	No
RC_Actual_L.RegioRoomTempHighTempAlarm	Binary input, 4	Room high temperature alarm	ACTIVE/ INACTIVE	No
RC_Actual_L.RegioRoomTempLowTempAlarm	Binary input, 5	Room low temperature alarm	ACTIVE/ INACTIVE	No
RC_Actual_L.RegioDICO2	Binary input, 6	Indicates high CO ₂ level	ACTIVE/ INACTIVE	No
RC_Actual_L.RegioDIindacation	Binary input, 7	Run indication, when DI2 is configured as such	ACTIVE/ INACTIVE	No

All binary inputs have normal polarity.

Binary values

Object name	Object-ID	Description	Values	Writable
RC_Actual_L.RegioForcedVentilation	Binary value, 0	Indicate forced ventilation	ON/OFF	No
RC_Actual_L.RegioCVHeatPulsProp	Binary value, 1	Indicate pulse prop heating	ACTIVE/ INACTIVE	No
RC_Actual_L.RegioCVCoolPulsProp	Binary value, 2	Indicate pulse prop cooling	ACTIVE/ INACTIVE	No
RC_Actual_L.RegioCVHeatInc	Binary value, 3	Indicate increase heating	ACTIVE/ INACTIVE	No
RC_Actual_L.RegioCVHeatDec	Binary value, 4	Indicate decrease heating	ACTIVE/ INACTIVE	No
RC_Actual_L.RegioCVCoolInc	Binary value, 5	Indicate increase cooling	ACTIVE/ INACTIVE	No
RC_Actual_L.RegioCVCoolDec	Binary value, 6	Indicate decrease cooling	ACTIVE/ INACTIVE	No
RC_Actual_L.RegioChangeOverState	Binary value, 7	Indicate change over state from both digital and analogue input	ACTIVE/ INACTIVE	No
RC_Actual_L.RegioRoomTempSensorAlarm	Binary value, 8	Indicate sensor alarm on room sensor	ACTIVE/ INACTIVE	No
RC_Setp_L.RegioBypass	Binary value, 9	Force the unit in Bypass mode. Is automatically returned after Bypass time (default=120 min)	ACTIVE/ INACTIVE	Yes
RC_Setp_L.RegioShutDown	Binary value, 10	Force the unit in ShutDown state	ACTIVE/ INACTIVE	Yes

Object name	Object-ID	Description	Values	Writable
RC_Setp_L.RegioComDefaults	Binary value, 11	Resets communication settings to default values	ACTIVE/ INACTIVE	Yes
RC_Setp_L.RegioBlockConfig	Binary value, 12	Prevents unauthorised access to the configuration menu via controller buttons	ACTIVE/ INACTIVE	Yes

All binary values have normal polarity.

Loop

Object name	Object-ID	Description
Regulator	Loop, 0	The Regio Regulator

Multistate inputs

Object name	Object-ID	Description	Values	Writable
RC_Actual_X.RegioFanSwitch	Multistate input, 0	Fan switch state	1=OFF 2=LOW 3=MEDIUM 4=HIGH 5=AUTO	No
RC_Actual_X.RegioUnitState	Multistate input, 1	Current unit state	1=Off 2=Unoccupied 3=Stand-by 4=Occupied 5=Bypass	No
RC_Actual_X.RegioControllerState	Multistate input, 2	Current controller state	1=Off 2=Heating 3=Cooling	No
RC_Actual_X.RegioFanSpeed	Multistate input, 3	Current fan speed	1=Off 2=Fan speed 1 3=Fan speed 2 4=Fan speed 3	No

Multistate values

Object name	Object-ID	Description	Values	Writable
RC_Setp_X.RegioHeatOutputSelect	Multistate value, 0	Manual/Auto heat output	1=Off 2=Manual output 3=Automatic output	Yes
RC_Setp_X.RegioCoolOutputSelect	Multistate value, 1	Manual/Auto cool output	1=Off 2=Manual output 3=Automatic output	Yes

Object name	Object-ID	Description	Values	Writable
RC_Setp_X.RegioFanSelect	Multistate value, 2	Fan mode select	1=Off 2=Manual speed 1 3=Manual speed 2 4=Manual speed 3 5=Auto 6=Auto 2 7=Auto 1	Yes
RC_Setp_X.RegioForcedVentSelect	Multistate value, 3	Manual/Auto forced ventilation	1=Off 2=Manual On 3=Auto	Yes
RC_Setp_X.RegioChangeOverSelect	Multistate value, 4	Manual/Auto change-over	1=Heating 2=Cooling 3=Auto	Yes
RC_Setp_X.RegioRemoteState	Multistate value, 5	Remote control unit state	1=Off 2=Unoccupied 3=Stand-by 4=Occupied 6=No remote control	Yes
RC_Non_Modbus.RegioButtonActiveConf	Multistate value, 6	Active buttons	1=No buttons 2=Occupancy button only 3=INCREASE/DECREASE only 4=Occupancy button and INCREASE/DECREASE 5=Fan button only 6=Occupancy button and fan button 7=INCREASE/DECREASE and fan button 8=All buttons	Yes

Device

The device object contains two writable properties; Description and Location. Description can be 17 characters long, and Location can be 33 characters long, if using single byte character encoding.

Index

A

- About the manual 5
 - More information 5
 - Terms 5
- Activation of the different operating modes 42
- Actuators 47
 - Analogue actuators 47
 - Exercise 48
 - On/Off actuators 47
 - Thermal actuators 47
 - Three-point actuators 47
- Analogue actuators 47
- Analogue values 81
- Applications 6
- Auto control 49

B

- BACnet signal types 80
- BACnet signals 81
- Basic setpoint 45
- Binary values 83
- Bypass 41

C

- Calculation of the active setpoint 45
- Central command 44
- Central control 44
- CO₂ sensor and VAV control 37
- Communication 7
- Configuration 13
- Control modes 30
 - Cooling 32
 - Cooling/Cooling 33
 - Heating 30
 - Heating or cooling via change-over 31
 - Heating/Cooling 31
 - Heating/Cooling with VAV-control 32
 - Heating/Cooling with VAV-control and forced supply air function 31
 - Heating/Heating 30
- Cooling 32
- Cooling/Cooling 33

D

- Device 85
- Different operating modes 40
- DIP switches 13
- Display handling 56
 - Display indications 56
- Display indications 56

E

- Exercise 48

F

- Fan control 49
 - Auto control 49
 - Fan stopped 49
 - Manual control 49

H

- Heating 30
- Heating or cooling via change-over 31
- Heating/Cooling 31
- Heating/Cooling with VAV-control and forced supply air function 31
- Heating/Cooling/VAV 33
- Heating/Heating 30
- Holding register 79

I

- INCREASE/DECREASE buttons 56
- Indications 55
 - Communication 55
 - Occupancy button 55
- Inputs
 - Analogue 81
 - Binary 83
 - Multistate 84
- Installation 15
 - preparations 12

L

- Labels 12
- Loop 84

M

- Manual control 49
- Measurement and testing 17
- Memory function on power failure 64
- Modbus signal types 65
- Modbus signals 67
- Models 8
- More information 5
- Mounting 6
- Multistate values 84

O

Occupancy button 44, 55
Occupancy detector 43, 44
Occupied 41
Occupied/Bypass 45
Off 40, 45
On/Off actuators 47
Operating modes 40
 Activation of the different operating modes 42
 Different operating modes 40

P

Parameter menu 57
Preset operating mode 42

R

Register
 Holding 79

S

Setpoint
 display of setpoint at setpoint displacement 46
Setpoint calculation 45
 Basic setpoint 45

 Calculation of the active setpoint 45
 Setpoint displacement 45
Setpoint displacement 45
Special functions 53
Special input CI 53
Split output signal 33
Stand-by 40, 45
SW1-7 13

T

Technical data 10
Terms 5
Thermal actuators 47
Three-point actuators 47

U

Unoccupied 40, 45

V,W

Wiring 15
Wiring for basic models with 3 analogue outputs 18
Wiring for model for CO₂ control 21
Wiring for models for CO₂ control and fan control 23
Wiring for models for fan control 25
Wiring for models for three-point control 28