

RCW-M32

Wireless receiver with Modbus communication



GO WIRELESS READY STEADY GO

Wireless receiver used within the Regin Go Wireless concept. The Modbus receiver can pair with up to 32 wireless sensors and detectors. It monitors the sensors and reports the information to the user via Modbus communication.

- ✓ Handles up to 32 wireless sensors and detectors
- ✓ Extensive communication range
- ✓ Modbus communication
- ✓ High reliability
- ✓ Easy to install

Application

Regin's Go Wireless concept uses radio frequency communication with a communication range of up to 2 km (free line of sight). The extensive range and sensitive and precise reception of signals makes the Go Wireless concept highly flexible. The signal transmission is encrypted for security reasons, and is fast, stable and reliable. The efficient signal transmission increases the battery life of the products which makes the maintenance costs low.

Function

The receiver is used to monitor signals from up to 32 wireless sensors and detectors and communicates with a controller via Modbus. The receiver is easily configured either with its menu system or via Modbus. Sensor and detector settings can also be changed via Modbus in the connected receiver.

Sensors or detectors can easily be paired manually to the receiver via a test button on the sensor/detector. They can also be paired using suitable Modbus variables.

Installation

The receiver comes in a discreet housing. It is easy and fast to install and it can be mounted on any flat surface. If it is installed in a humid environment, vertical mounting is recommended to allow moisture to escape.

Both the display used for the menu system and the communication terminal are located under the lid.

Technical data

Supply voltage	24 V AC/DC (21...27 V AC/DC)
Frequency	868 MHz
Protection class	IP54
Ambient temperature	-10...+50 °C
Ambient humidity	Max. 85 % RH, non-condensing
Weight (incl. packaging)	0.17 kg
Dimensions, external (WxHxD)	120 x 112 x 40 mm

Internal serial port, type	RS485, isolated
Internal serial port, built-in protocol	Modbus
Internal serial port, comm. speed	1200 / 2400 / 9600 (default) / 19200 / 38400 / 57600 bps
Internal serial port, parity	None (default) / even / odd
Internal serial port, stop bit	1 stop bit (default) / 2 stop bit



This product carries the CE-mark. More information is available at www.regincontrols.com.

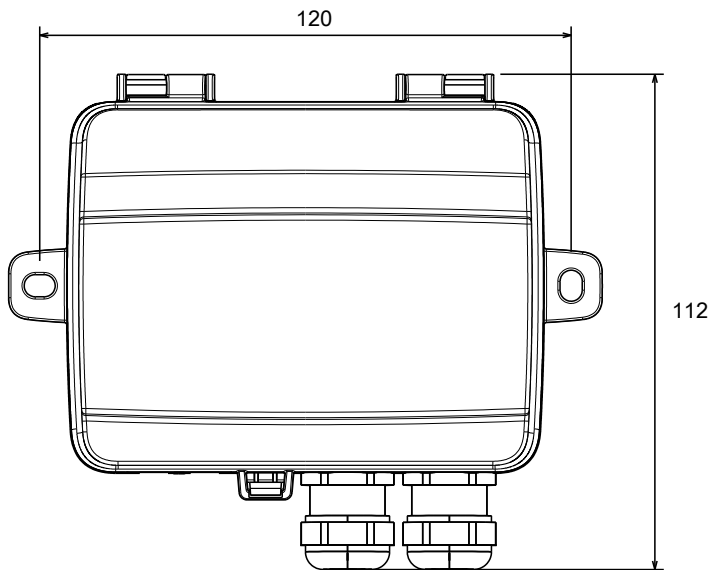
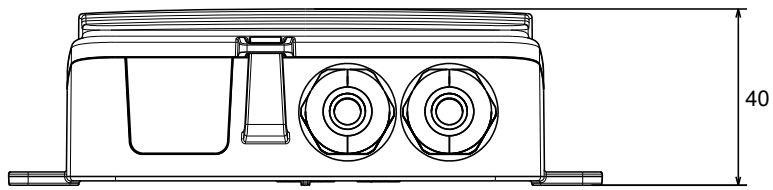
Material

Material, housing	Polycarbonate (PC)
Material, base	Polycarbonate (PC)

Accessories

Article	Description
TG-R6W	Wireless outdoor temperature sensor
TG-R6EW	Wireless outdoor temperature sensor with an input for external PT1000 sensor
TG-R5W	Wireless room temperature sensor
HTRT5W	Wireless room temperature and humidity sensor
EPRW	Wireless optical pulse counter
IRCW	Wireless ceiling mounted IR motion detector
IRW	Wireless motion detector
DCW	Wireless digital input / door contact
RPW	Wireless repeater

Dimensions



[mm]

Documentation

All documentation can be downloaded from www.regincontrols.com.