



INSTRUCTION REGIO RC-DFO



Read this instruction before installation and wiring of the product

6544E
MAY 19

Room controller with fan switch and display

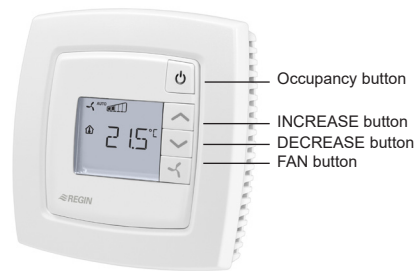
RC-DFO is a room controller from the Regio Mini series, intended to control heating and cooling in a zone control system. It has a switch for controlling a three-speed fan (fan coil), and a display. Installation is directly on the wall or on an electrical connection box. The controller does not have a communication connection.

Technical data

Supply voltage	18...30 V AC, 50...60 Hz
Internal consumption	2.5 VA
Ambient temperature	0...50°C
Ambient humidity	Max 90% RH
Storage temperature	-20...+70°C
Display	LCD with background illumination
Built-in temperature sensor	NTC Type, range 0...50°C, accuracy +/-0.5°C at 15...30°C

Inputs and outputs Refer to connection illustrations and table below

Connection terminals	Lift type for cable cross-section 2.1 mm ²
Protection class	IP20
Material, casing	Polycarbonate, PC
Weight	110 g
Dimensions	95 x 95 x 28 mm



Installation

Place the controller in a location that has a temperature representative for the room. A suitable location is approx. 1.6 m above floor level in a place with unobstructed air circulation.

Remove the frame by depressing the locking tab in the lower edge of the cover with a screwdriver. See figure 1.

Then prize out the electronics cassette using the four rectangular screwdriver slots and levering against the edge of the bottom plate. See figure 2.

Note: Take care not to damage the electronics when inserting the screwdriver into the slots.



Figure 1

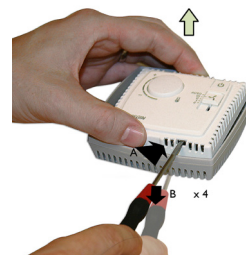


Figure 2

The bottom plate with terminals has a number of fixing hole combinations. Select suitable holes (see figure 3) and screw the bottom plate onto the wall or connection box, so that the arrows on the bottom plate point upwards. Do not tighten the screws too hard!

With surface-mounted cabling, break-out suitable holes from the marks in the plastic.

RC-DFO has digital outputs for control of a 3-speed fan. The relay module RB3 can be used to handle fans with 230 V AC supply voltage. For more information, see separate product sheet for RB3.

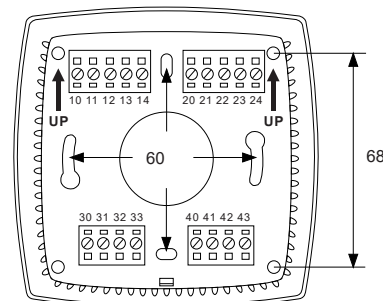


Figure 3. Bottom plate with mounting alternatives and location of terminals (dimensions in mm.)

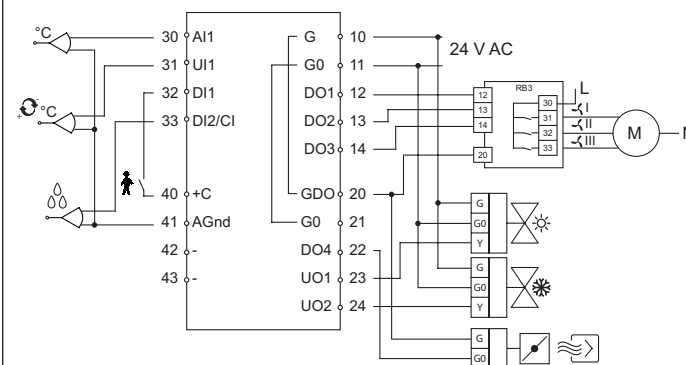


Figure 4. Connection diagram for RC-DFO

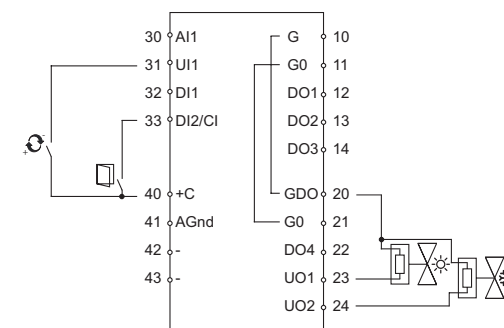


Figure 5. Alternative connection for terminals 31, U11, and terminal 33, DI2/CI, terminal 23, UO1, and terminal 24, UO2.

Follow table 1 below for setting. (FS) in the text indicates factory setting.

Table 1. I/O connection terminals

Terminal	Designation	Operation
10	G	Supply voltage 24 V AC
11	G0	Supply voltage 0 V
12	DO1	For fan control, low speed. 24 V AC output, max 0.5 A. 24 V AC relay is connected between terminal 12 and terminal 20, GDO.
13	DO2	For fan control, medium speed. 24 V AC output, max 0.5 A. 24 V AC relay is connected between terminal 13 and terminal 20, GDO.
14	DO3	For fan control, high speed. 24 V AC output, max 0.5 A. 24 V AC relay is connected between terminal 14 and terminal 20, GDO.
20	GDO	24 V AC out common for DO. Internally connected to terminal 10, G.
21	G0	0 V common for UO. Internally connected to terminal 11, G0.
22	DO4	For forced ventilation. 24 V AC output, max 0.5 A. 24 V AC actuator is connected between terminal 22 and terminal 20, GDO.
23	UO1	Control of heating (FS) or cooling via change-over. For 0...10 V DC valve actuator, max 5 mA (FS). The valve actuator's 0...10 V control signal terminal is connected to terminal 23 and its supply terminals to terminals 10 and 11. Make sure that the reference pole G0 is connected to the correct terminal on the actuator. <i>alternative</i> For 24 V AC thermal actuator, max 2.0 A. The thermal actuator is connected between terminals 23 and 20, GDO. Choice of actuator (NO/NC), see the parameter list, parameter 73. <i>Selection of output function, analogue or digital, go into the parameter menu and change parameter 20 to thermal actuator.</i>

24	UO2	Control output heating or cooling (FS). For 0...10 V DC valve actuator, max 5 mA (FS). The valve actuator's 0...10 V control signal terminal is connected to terminal 24 and its supply terminals to terminals 10 and 11. Make sure that the reference pole G0 is connected to the correct terminal on the actuator. <i>alternative</i> For 24 V AC thermal actuator, max 2.0 A. The thermal actuator is connected between terminals 24 and 20, GDO. <i>Selection of output function, analogue or digital, go into the parameter menu and change parameter 21 to thermal actuator.</i>
30	AI1	For external room sensor, PT1000. Range 0...50°C. Sensor is connected between terminals 30 and 41, AGnd.
31	UI1	For switching between heating and cooling on a two-pipe system (Change-over). PT1000-sensor is connected between terminals 31 and 41, AGnd. Range: 0...100°C. <i>alternative</i> For potential-free contact. A potential-free contact is connected between terminals 31 and 40, +C.
32	DI1	Occupancy detector. A potential-free contact is connected between terminals 32 and 40, +C. Closed contact corresponds to occupancy. <i>See also section Occupancy detector below.</i>
33	DI2/CI	Regin's condensation detector, KG-A (FS). The sensor is connected between terminals 33 and 41, AGnd. <i>alternative</i> Window contact (DI) A potential-free contact is connected between terminals 33 and 40, +C. Closed contact indicates closed window.
40	+C	24 V DC out common for DI and UI (with digital function)
41	AGnd	Analogue ground, reference for AI and UI (with analogue function)
42-43		No function

RC-DFO

Settings

FS values can be changed in the parameter menu in the display.

Control states

RC-DFO can be configured for different control states /control sequences:

- Heating
- Heating or cooling via the change-over function
- Heating/Heating
- Heating/Cooling
- Heating/Cooling with VAV-control and forced supply air function
- Heating/Cooling with VAV-control
- Cooling
- Cooling/Cooling

Heating/Cooling with VAV-control and forced supply air function

Heating and Cooling in sequence, where cooling is obtained by varying the airflow. The cooling output is used for controlling the supply air damper on both heating and cooling demand. When the ventilation is forced, the cooling output is set to full cooling, regardless of what the controller output signal is.

Heating/Cooling with VAV-control

Heating and cooling are controlled in the same way as in the VAV-control above. However, it is not possible to force the damper. The cooling output has a configurable min. limit to ensure a minimum basic ventilation in the room. A max. limit can be set for the airflow when heating is active. If the heater is not positioned in the supply air duct and you do not want the damper to open on heating demand, you should set the max. limit to equal the basic flow.

Change-over function

RC-DFO has an input for change-over that automatically resets the output UO1 to operate with heating or cooling function. The input can be connected to sensors of type PT1000 and have the sensor mounted so that it senses the temperature on the supply pipe to the coil. When the temperature exceeds 22°C (FS), the output function is set to heating and when the temperature drops below 18°C (FS), the output is set to cooling.

As an alternative, a potential-free contact can be used. When the contact is open the controller works with the heating function and when it is closed, with the cooling function.

To ensure satisfactory functioning using sensor, the system must have continuous primary circuit circulation. When the change-over function is not used, the input must be left disconnected.

Operating mode

There are five different operating modes. Switching between these

modes is performed locally.

Stand-by: Both heating and cooling are disconnected within a temperature interval around the applicable setpoint (FS = heating setpoint value - 3°C, cooling setpoint + 3°C).

Occupied: The room temperature is controlled according to the applicable cooling setpoint (FS = 24°C) or heating setpoint (FS = 22°C).

Bypass: Is controlled by the occupancy detector or other digital contact connected to the controller, closing activates Bypass. Control of the room temperature in the same way as Occupied mode. Bypass also controls forced ventilation. Reset to Preset operating mode occurs after a certain time (FS = 10 minutes) of non-occupancy (no signal from presence detector).

Unoccupied: Both heating and cooling are disconnected within a temperature interval with configurable min/max limits (FS = min 15°C, max 30°C). This mode is activated when the Occupancy button is held depressed for more than 5 seconds.

Off: Heating and cooling are disconnected. However, the temperature must not drop below the set minimum temperature (FS=8°C). The mode is activated on open window (or when the Occupancy button is held depressed for more than 5 seconds, if this has been configured in the parameter menu).

Preset operating mode

Occupied is the preset operating mode. This can be set to Stand-by in the parameter menu, parameter 45.

Occupancy detector

An occupancy detector is connected for local control of the operating mode between Preset operating mode and Bypass.

Setpoint

In Occupied mode, the controller operates from a heating setpoint (FS = 22°C), or a cooling setpoint (FS = 24°C) that can be changed using the INCREASE and DECREASE buttons.

Pressing on INCREASE increases the current setpoint in steps of 0.5°C up to the max. limit (+3°C). Pressing on DECREASE decreases the current setpoint in steps of 0.5°C down to the min. limit (-3°C).

Switching between heating and cooling setpoints is done automatically in the controller depending on the heating and cooling requirement. Choice of setpoint display, see parameter 74.

Fan control

RC-DFO has a fan switch with the following positions:

AUTO	Automatic control of the fan speed to maintain desired room temperature.
0	Fan off.
I	Manual position with low speed.
II	Manual position with medium speed.
III	Manual position with high speed.

Frost protection

Independent of the operating mode, the heating control is forced on when the room temperature drops below 8°C (FS). Return to normal control occurs automatically when the room temperature exceeds 8°C.

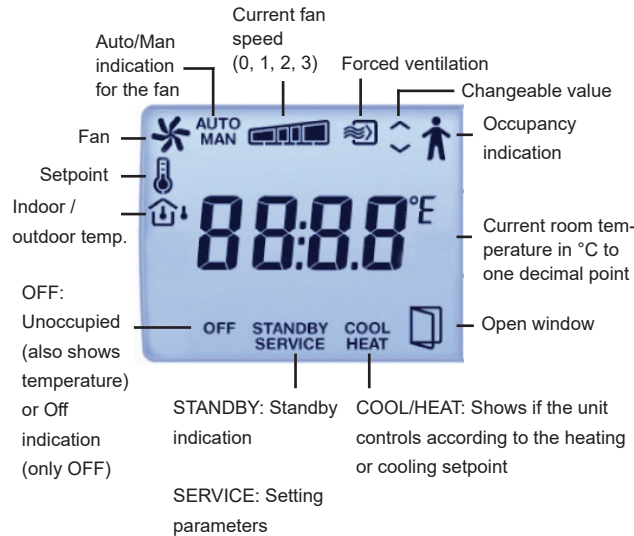
Condensation detector

If there is condensation, the cooling control is blocked. Return to normal control occurs automatically when condensation ceases.

Display handling

Indications

The display has the following indications:



Buttons

RC-DFO has the following buttons:

- Occupancy button

When the Occupancy button is held depressed for more than 5 seconds, the controller changes operating mode to "Shutdown" (Off/Unoccupied), regardless of the current operating mode. Via the display, you can configure which operating mode, Off or Unoccupied, should be activated on "Shutdown". The factory setting is that Unoccupied is activated.

If you press the Occupancy button for less than 5 seconds when the controller is in operating mode Shutdown or the preset operating mode, the controller changes to operating mode Bypass. If you press the button for less than 5 seconds when the controller is in Bypass, it changes operating mode to the Preset operating mode. After a

configurable time in Bypass (FS = 2 hours), the controller returns to the preset operating mode.

- INCREASE button
- DECREASE button

Setting parameters

Change parameters

It is possible to set different parameter values in a parameter menu. The parameter menu is accessed by simultaneously holding the INCREASE and DECREASE buttons depressed for about 5 seconds and then pressing the INCREASE button twice. The Service indication will be displayed.

First the display will show the parameter-number 1. Scroll between parameters by using the INCREASE and DECREASE buttons. Press the Occupancy button to select the desired parameter. The parameter number will be replaced by the parameter value. The value can be changed using the INCREASE and DECREASE buttons. If a button is held depressed the value will start scrolling, first slowly and then with increasing speed in 3-4 steps with 2-3 seconds between steps.

Acknowledge/Regret change

To acknowledge and store a set parameter value, press the Occupancy button again, the display then returns to showing the parameter number. To retrieve the original value, i.e. the value before change, press the INCREASE and DECREASE buttons at the same time. The original value is shown on the display.

Return to normal display

After a certain time, about 1 minute, or when the INCREASE and DECREASE buttons are pressed at the same time while in the menu, the display returns to the normal view.

Exit is shown on the display after the last parameter. The parameter menu is exited by pressing the Occupancy button while in Exit. Pressing on INCREASE goes to the first parameter and pressing on DECREASE goes to the last parameter.

Parameter number

The following parameters can be changed in the parameter menu:

Parameter number	Description	FS
1	Basic setpoint heating	22°C
2	Basic setpoint cooling	24°C
3	Neutral zone at Stand-by. Heat sp. = Basic sp. heat - 3. Cool sp. = Basic sp. cool + 3.	3°C
4	Heat setpoint at Unoccupied	15°C
5	Cooling setpoint at Unoccupied	30°C
6	Frost protection setpoint	8°C

7	P-band for room controller	10°C
8	I-time (s) for room controller	300 s
9	With a lower temperature on the analogue Change-over input, the cooling function is selected	18
10	With a higher temperature on the analogue Change-over input, the heating function is selected	22
11	Control states: 0=Heat, 1=Heat/Heat, 2=Heat or cooling via Change-over, 3=Heat/Cooling, 4=Heat/Cooling with VAV-control and forced supply air, 5=Heat/Cooling with VAV-control, 6=Cooling, 7=Cooling/Cooling	3
12	Time in Bypass mode	120 min
13	Disconnect timer with occupancy/unoccupancy	10 min
14	Switch on delay for occupancy	0 min
15	State connected sensor on AI1: 0=Internal sensor, 1=External room sensor	0
16	State connected sensor on UI1: 0=None, 1=Change-over digital, 2=Change-over analogue	2
18	State connected sensor on DI2: 1=Window contact, 2=Condensation detector	2
20	State function of signal on UO1: 0=None, 1=Thermal actuator heat, 2=None, 3=Heating actuator 0...10V, 4=None	3
21	State function of signal on UO2: 0=None, 1=None, 2=Thermal actuator cooling, 3=None, 4=Cooling actuator 0...10V	4
29	State output signal range for heating actuator: 0=0...10V, 1=2...10V, 2=10...2V, 3=10...0V	0
30	State output signal range for cooling actuator: 0=0...10V, 1=2...10V, 2=10...2V, 3=10...0V	0
31	Period time for heating actuator with thermal actuator	60 s
32	Period time for cooling actuator with thermal actuator	60 s
33-35	<i>No function for this model</i>	
36	Time in hours between exercise of heating actuator	23

37	Time in hours between exercise of cooling actuator	23
42	Select if setpoint or actual value is to be shown on display, 0=Actual, 1=Heating setpoint, 2=Cooling setpoint, 3=Average value of heating and cooling setpoint, 4=Only setpoint adjustment	0
43	Highest permitted setpoint offset upwards	3°C
44	Highest permitted setpoint offset downwards	3°C
45	Preset operating mode: 1=Unoccupied, 2=Stand-by, 3=Occupied. Forced ventilation is not set in Occupied mode	3
46	State operating mode by depressing Occupancy button for 5 sec: 0=Off, 1=Unoccupied. Forced ventilation is not set in Occupied mode.	1
47	<i>No function for this model</i>	
48	Min. flow at cooling output with regulating state heat/cool when VAV-control is selected	20
49	Max. flow at cooling output with regulating state heat/cool when VAV-control is selected and heating is applied	0
50	Configuration of fan control: 0=No control, 1=The fan is controlled by heating requirement, 2=The fan is controlled by cooling requirement, 3=The fan is controlled by heating and cooling requirement	3
51	Start signal in % for fan speed 1 on heating or cooling control	20
52	Start signal in % for fan speed 2	60
53	Start signal in % for fan speed 3	100
54	Hysteresis for start/stop of fans	5
55	State number of speeds for fan	3
56	Temperature compensation on AI1	0°C
57	Temperature compensation on UI1	0°C
58	Temperature compensation for internal room sensor	0°C
59	Filter factor for analogue temperature inputs	0,2
60	State NO/NC digital input 1: 0=NO (Normally open), 1=NC (Normally closed)	0

61	State NO/NC digital input 2: 0=NO (Normally open), 1=NC (Normally closed)	1
62	State NO/NC universal input 1: 0=NO (Normally open), 1=NC (Normally closed)	0
63	Manual/Auto heating output signal: 0=Off, 1=Manual, 2=Auto	2
64	Manual/Auto cooling output signal: 0=Off, 1=Manual, 2=Auto	2
65	Manual/Auto forced ventilation: 0=Off, 1=On, 2=Auto. Can e.g. be activated from a central system for e.g. night cooling	2
66	Manual/Auto control of change-over mode: 0=Heating control, 1=Cooling control, 2=Automatic change-over depending on analogue temperature sensor or digital input	2
67	Heating output signal in manual mode	0
68	Cooling output signal in manual mode	0
69-72	<i>No function for this model</i>	
73	Selection of heating output function (NO/NC): 0=NC, 1=NO	0
74	Setpoint display at setpoint adjustment: 0=The offset is shown in the display, 1=The active setpoint + offset are shown in the display. HEAT or COOL is shown depending on whether the unit controls according to the heating or cooling setpoint when you enter the menu, 2=The heating setpoint + offset are shown in the display, 3=The cooling setpoint + offset are shown in the display	0



This product carries the CE mark.
For more information, see www.regincontrols.com.

Contact

AB Regin, Box 116, 428 22 Källered, Sweden
Tel: +46 31 720 02 00, Fax: +46 31 720 02 50
www.regin.se, info@regin.se



Läs denna instruktion innan produkten monteras och ansluts

Rumsregulator med fläktnkopplare och display

RC-DFO är en rumsregulator i Regio Mini-serien avsedd att styra värme och kyla i efterbehandlingssystem. Den har omkopplare för styrning av trehastighetsfläkt (fan coil), samt display. Montage sker direkt på vägg eller eldosa. Regulatorn har ej kommunikationsanslutning.

Tekniska data

Matningsspänning	18...30 V AC, 50...60 Hz
Egenförbrukning	2,5 VA
Omgivningstemperatur	0...50°C
Omgivande luftfuktighet	Max 90% RH
Lagringstemperatur	-20...+70°C
Display	Bakgrundsbelyst LCD
Inbyggd temperaturgivare	Typ NTC, mätområde 0...50°C, mätnoggrannhet +/-0,5°C vid 15...30°C
Ingångar och utgångar	Se inkopplingsbilder och tabell nedan
Anslutningsplintar	Av hisstyp för kabelarea max 2,1 mm ²
Skyddsklass	IP20
Material hölje	Polycarbonat, PC
Vikt	110 g
Mått	95 x 95 x 28 mm

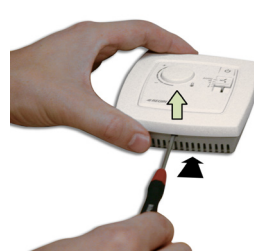


Installation

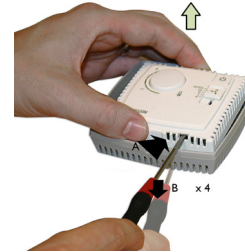
Montera regulatorn på en plats med för rummet representativ temperatur. Lämplig placering är ca 1,6 m över golvet, utan omgivande hinder för luftcirkulation. Ta av ramen genom att trycka in låshaken i

nederkanten av kåpan med en skruvmejsel. Se figur 1.

Plocka därefter ur elektronikassettens med hjälp av de fyra demonteringshålen genom att bända mejseln mot kanten på bottenplattan. Se figur 2. **OBS!** Var försiktig så att du inte kommer åt elektronikerna när du sticker in mejseln i demonteringshålen.



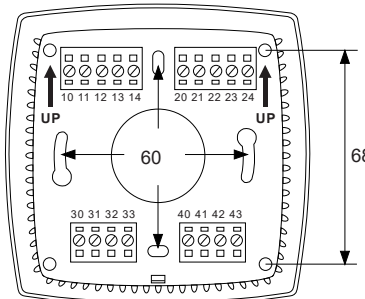
Figur 1



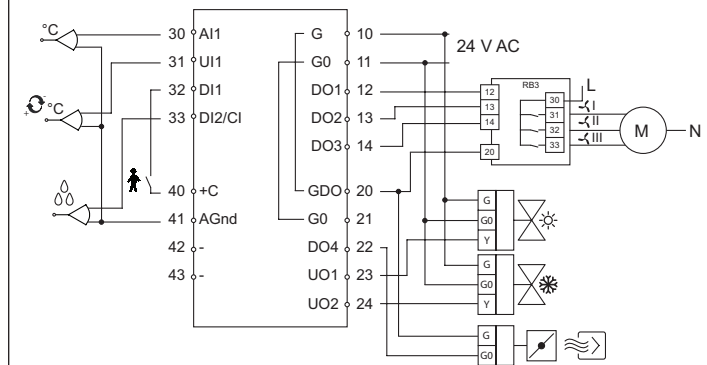
Figur 2

Bottenplattan med anslutningskontakter har ett antal hålbilder. Välj passende hålbild (se figur 3) och skruva fast bottenplattan på vägg eller eldosa, så att pilarna i bottenplattan pekar upp. Dra inte skruvarna för hårt! För utanpåliggande kablage anpassas bottenplattan enligt brottanvisningar i plasten.

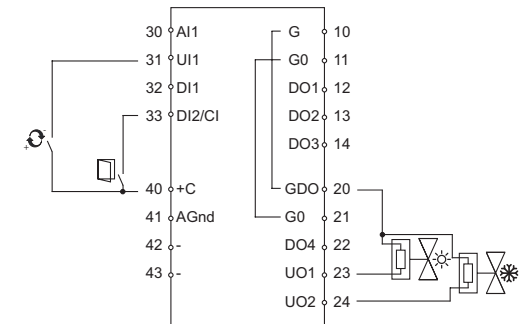
RC-DFO har digitala utgångar för styrning av 3-hastighetsfläkt. Relämodulen RB3 kan användas för att hantera fläktar med 230 V AC matningsspänning. För mer information, se separat produktblad för RB3.



Figur 3. Bottenplatta med monteringsalternativ och plintarnas placering (mått i mm)



Figur 4. Inkopplingschema för RC-DFO



Figur 5. Alternativ inkoppling för plint 31, UI1, plint 33, DI2/CI, plint 23, UO1, och plint 24, UO2.

Följ tabell 1 nedan för inställning. (FI) i texten innebär fabriksinställt värde.

Tabell 1. I/O anslutningsplintar

Plint	Beteckning	Funktion
10	G	Matningsspänning 24 V AC
11	G0	Matningsspänning 0 V
12	DO1	För fläktstyrning, låg hastighet. 24 V AC utgång, max 0,5 A. 24 V AC relä ansluts mellan plint 12 och plint 20, GDO.
13	DO2	För fläktstyrning, medelhastighet. 24 V AC utgång, max 0,5 A. 24 V AC relä ansluts mellan plint 13 och plint 20, GDO.

14	DO3	För fläktstyrning, hög hastighet. 24 V AC utgång, max 0,5 A. 24 V AC relä ansluts mellan plint 14 och plint 20, GDO.
20	GDO	24 V AC ut gemensam för DO. Internt förbunden med plint 10, G.
21	G0	0 V gemensam för UO. Internt förbunden med plint 11, G0.
22	DO4	För forcerad ventilation. 24 V AC utgång, max 0,5 A. 24 V AC ställdon ansluts mellan plint 22 och plint 20, GDO.
23	UO1	Utstyrning värme (FI) eller kyla via change-over. För 0...10 V DC ventilställdon, max 5 mA (FI). Ventilställdonets 0...10 V styrsignalplint ansluts till plint 23 och dess matningsplintar till plint 10 och 11. Notera så att referenspol G0 ansluts på korrekt plint på ställdonet. <i>alternativt</i> För 24 V AC termiskt ställdon, max 2,0 A. Det termiska ställdonet ansluts mellan plint 23 och 20, GDO. Val av ställdon (NO/NC), se parameterlistan, parameter 73. <i>Val av utgångsfunktion, analog eller digital, gå in i parametermenyn och ändra parameter 20 till termiskt ställdon.</i>
24	UO2	Utstyrning värme eller kyla (FI). För 0...10 V DC ventilställdon, max 5 mA (FI). Ventilställdonets 0...10 V styrsignalplint ansluts till plint 24 och dess matningsplintar till plint 10 och 11. Notera så att referenspol G0 ansluts på korrekt plint på ställdonet. <i>alternativt</i> För 24 V AC termiskt ställdon, max 2,0 A. Det termiska ställdonet ansluts mellan plint 24 och 20, GDO. <i>Val av utgångsfunktion, analog eller digital, gå in i parametermenyn och ändra parameter 21 till termiskt ställdon.</i>

30	AI1	För extern rumsgivare, PT1000. Mätområde 0...50°C. Givaren ansluts mellan plint 30 och 41, AGnd.
31	UI1	För växling mellan värme och kyla i tvårörssystem (Change-over). PT1000-givare ansluts mellan plint 31 och 41, AGnd. Mätområde: 0...100°C. <i>alternativt</i> För potentialfri kontakt. Potentialfri kontakt ansluts mellan plint 31 och 40, +C.
32	DI1	Närvarodetektor. Potentialfri kontakt ansluts mellan plint 32 och 40, +C. Sluten kontakt motsvarar närvaro. <i>Se även avsnitt Närvarodetektor nedan.</i>
33	DI2/CI	Regins kondensvakt, KG-A (FI). Givaren ansluts mellan plint 33 och 41, AGnd. <i>alternativt</i> Fönsterkontakt (DI) Potentialfri kontakt ansluts mellan plint 33 och 40, +C. Sluten kontakt indikerar stängt fönster.
40	+C	24 V DC ut gemensam för DI och UI (vid digital funktion)
41	AGnd	Analog jord, referens för AI och UI (vid analog funktion)
42-43		Ingen funktion

Inställningar

Värden som anges med FI kan ändras i parametermenyn i displayen.

Reglerfall

RC-DFO kan konfigureras för olika reglerfall/reglersekvenser:

- Värme
- Värme eller kyla via change-over funktion
- Värme/Värme
- Värme/Kyla
- Värme/Kyla med VAV-reglering och forcering av tilluften
- Värme/Kyla med VAV-reglering
- Kyla
- Kyla/Kyla

Värme/Kyla med VAV-reglering och forcering av tilluften

Värme och Kyla i sekvens där kylning erhålles genom att variera tilluftsflödet. Kylutgången används för att styra ut tilluftspjället vid både värme- och kylbehov. Vid forcerad ventilation sätts kylutstyrningen till full RC-DFO

kyla oavsett vad regulatorutsignalen är.

Värme/Kyla med VAV-reglering

Värme och kyla styrs på motsvarande sätt som i VAV-regleringen ovan. Det går dock inte att forcera spjället. Kylutgången har en ställbar minbegränsning för att säkerställa en minsta grundventilation i rummet. Luftflödet vid värmeutstyrning kan maxbegränsas. Om värmaren inte sitter i tilluftskanalen och man inte vill att spjället skall öppna vid värme-behov sätts maxbegränsningen lika med grundflödet.

Change-over funktion

RC-DFO har ingång för change-over, som automatiskt ställer om utgång UO1 att verka med värme- eller kylfunktion. Ingången kan anslutas till givare typ PT1000 och givaren monteras så att den känner temperaturen på framledning till batteriet.

Då temperaturen överskrider 22°C (FI) ställs utgångsfunktionen till värme och då temperaturen sjunker under 18°C (FI) ställs utgången till kyla.

Alternativt används potentialfri kontakt. Med öppen kontakt arbetar regulatormed med värmefunktion och när den är sluten arbetar den med kylfunktion.

För fullgod funktion med givare skall systemet ha ständig primärkrets-cirkulation. Då change-over funktion ej ska användas lämnas ingången oansluten.

Driftlägen

Det finns fem olika driftlägen. Omkopplingen mellan dessa lägen sker lokalt.

Stand-by: Både värme och kyla är bortkopplade inom ett temperaturintervall runt gällande börvärde (FI = värmebörvärde - 3°C, kylbörvärde + 3°C).

Occupied: Rumstemperaturen regleras efter gällande kylbörvärde (FI = 24°C) eller värmebörvärde (FI = 22°C).

Bypass: Styrs av närvarodetektor eller annan digital kontakt ansluten till regulatorm, slutning aktiverar Bypass. Reglering av rumstemperaturen på samma sätt som i läge Occupied. Bypass styr även forcerad ventilation. Återgång till Förinställt driftläge sker efter viss tids (FI = 10 minuter) frånvaro (ingen signal från närvarodetektor).

Unoccupied: Både värme och kyla är bortkopplade inom ett temperaturintervall med inställbara min-/maxbegränsningar (FI = min 15°C, max 30°C). Detta läge nås då Närvaroknappen hålls intryckt i mer än 5 sekunder.

Off: Värme och kyla är bortkopplade. Dock får ej inställd mintemperatur (FI=8°C) underskridas. Detta läge aktiveras vid öppet fönster (eller då Närvaroknappen hålls intryckt i mer än 5 sekunder, om detta har konfigurerats i parametermenyn).

Förinställt driftläge

Occupied är det förinställda driftläget. Det kan ställas om till Stand-by i parametermenyn, parameter 45.

Närvarodetektor

För lokal styrning av driftläget mellan Förinställt driftläge och Bypass ansluts en närvarodetektor.

Börvärde

I läge Occupied reglerar regulatort utifrån ett värmebörvärde (FI = 22°C), eller ett kylbörvärde (FI = 24°C) som går att ändra mha ÖKA- och MINSKA-knapparna. Genom att trycka på ÖKA ökar man aktuellt börvärde i steg om 0,5°C till maxbegränsningen (+3°C). Genom att trycka på MINSKA minskar man aktuellt börvärde i steg om 0,5°C till minbegränsningen (-3°C). Omkopplingen mellan värme- respektive kylbörvärde sker automatiskt i regulatort beroende på värme- eller kylbehov. Val av börvärdesvisning, se parameter 74.

Fläktstyrning

RC-DFO har en fläktdomkopplare med följande lägen:

AUTO	Automatisk styrning av fläkthastighet för att upprätthålla önskad rumstemperatur.
0	Fläkten avstängd.
I	Manuellt läge med låg hastighet.
II	Manuellt läge med medelhastighet.
III	Manuellt läge med hög hastighet.

Frys skydd

Oavsett driftläge överstyrs värmeutstyrning då rumstemperaturen underskrider 8°C (FI). Återgång till normal reglering sker automatiskt när rumstemperaturen åter överstiger 8°C.

Kondensvakt

Vid kondens blockeras kylutstyrningen. Återgång till normal reglering sker automatiskt när kondensering upphört.

Displayhantering

Indikeringar

Displayen har följande indikeringar:



Knappar

RC-DFO har följande knappar:

- Närvaroknappen
Då man håller inne Närvaroknappen i mer än 5 sekunder ändrar regulatort driftläge till "Shutdown" (Off/Unoccupied) oavsett aktuellt driftläge. Vilket driftläge, Off eller Unoccupied, som aktiveras vid "Shutdown" är konfigurerbart via displayen. Fabriksinställningen är att man kommer till Unoccupied.
Vid ett kort tryck på Närvaroknappen då regulatort befinner sig i driftläge Shutdown eller Förinställt driftläge skiftar regulatort till driftläge Bypass. Vid ett kort tryck då regulatort befinner sig i Bypass ändrar den driftläge till Förinställt driftläge. Efter en viss tid i Bypass (FI = 2 timmar) återgår regulatort till det förinställda driftläget.
- ÖKA-knapp
- MINSKA-knapp

Inställning av parametrar

Ändra parametrar

Det går att ställa in olika parametervärden i en parametermeny. Parametermenyn kommer man till genom att trycka på ÖKA- och MINSKA-knapparna samtidigt under ca 5 s, och därefter trycka på ÖKA-knappen två gånger. Serviceindikering visas.

I parametermenyn visas först bara ett parameternummer (1, 2, 3 osv).

RC-DFO

Man bläddrar mellan parametrarna genom att trycka på ÖKA- eller MINSKA-knappen.

När rätt parameter är vald trycker man på Närvaroknappen. Värdet på parametern visas och parameternumret försvinner. Värdet på parametern kan nu ändras med ÖKA- och MINSKA-knapparna. Håller man en av dessa knappar intryckt ändras värdet i displayen först långsamt. Därefter ökas ändringshastigheten stegvis med 3-4 steg och ca 2-3 sekunder mellan stegen.

Bekräfta/Ångra ändringar

För att bekräfta ändringen av parametern trycker man ännu en gång på Närvaroknappen, varefter displayen återgår till att visa parameternumret. För att få tillbaka ursprungsvärdet, dvs värdet innan man började ändra, trycker man på ÖKA- och MINSKA-knapparna samtidigt. Ursprungsvärdet kommer då att visas i displayen.

Återgå till normal visning

Efter en viss tid, ca 1 min, eller då man trycker på ÖKA- och MINSKA-knapparna samtidigt när man befinner sig i meny, återgår displayen till normal visning.

Efter den sista parametern visas texten Exit i displayen. Genom att trycka på Närvaroknappen när man befinner sig på Exit hoppar man också ur parametermenyn. Genom att trycka på ÖKA kommer man till första parametern och genom att trycka på MINSKA kommer man till sista parametern.

Parameternummer

Följande parametrar är ändringsbara i parametermenyn:

Parameternummer	Beskrivning	FI
1	Grundbörvärde värme	22°C
2	Grundbörvärde kyla	24°C
3	Neutralzon vid Stand-by. Värmebv. = Grundbv. värme - 3. Kylbv. = Grundbv. kyla + 3.	3°C
4	Värmebörvärde vid Unoccupied	15°C
5	Kylbörvärde vid Unoccupied	30°C
6	Frys skydds börvärde	8°C
7	P-band för rumsregulatort	10°C
8	I-tid (s) för rumsregulatort	300 s
9	Vid lägre temperatur på analog ingång för Change-over växlar den till att arbeta med kylfunktion	18
10	Vid högre temperatur på analog ingång för Change-over växlar den till att arbeta med värmefunktion	22

11	Reglerfall: 0=Värme, 1=Värme/Värme, 2=Värme eller kyla via Change-over, 3=Värme/Kyla, 4=Värme/Kyla med forcerad ventilation, 5=Värme/Kyla med VAV-reglering, 6=Kyla, 7=Kyla/Kyla	3
12	Tid i Bypass-läge	120 min
13	Frånslagstimer vid närvaro/ej närvaro	10 min
14	Tillslagsfördröjning för närvaro	0 min
15	Anger ansluten givare på AI1: 0=Intern givare, 1=Extern rumsgivare	0
16	Anger ansluten givare på UI1: 0=Ingen, 1=Change-over digitalt, 2=Change-over analogt	2
18	Anger ansluten givare på DI2: 1=Fönsterkontakt, 2=Kondensvakt	2
20	Anger funktion för signal på UO1: 0=Ingen, 1=Termiskt ställdon värme, 2=Ingen, 3=Värmeställdon 0...10V, 4=Ingen	3
21	Anger funktion för signal på UO2: 0=Ingen, 1=Ingen, 2=Termiskt ställdon kyla, 3=Ingen, 4=Kylställdon 0...10V	4
29	Anger utsignalområde för värmeställdon: 0=0...10V, 1=2...10V, 2=10...2V, 3=10...0V	0
30	Anger utsignalområde för kylställdon: 0=0...10V, 1=2...10V, 2=10...2V, 3=10...0V	0
31	Periodtid för värmeställdonet vid termiska ställdon	60 s
32	Periodtid för kylställdonet vid termiska ställdon	60 s
33-35	<i>Ingen funktion för denna modell</i>	
36	Tid i timmar mellan motionering av värmeställdon	23
37	Tid i timmar mellan motionering av kylställdon	23
42	Väljer om börvärde eller ärvärde skall visas i displayen, 0=Ärvärdet, 1=Värmebörvärdet, 2=Kylbörvärdet, 3=Medelvärdet av värme- och kylbörvärdet, 4=Endast börvärdesjusteringen	0
43	Högsta tillåtna börvärdesförskjutning uppåt	3°C
44	Högsta tillåtna börvärdesförskjutning nedåt	3°C

45	Anger förinställt driftläge: 1=Unoccupied, 2=Stand-by, 3=Occupied. Forcerad ventilation är ej satt i Occupied-läget	3
46	Anger driftläge vid intryckt Närvaroknapp i 5 s: 0=Off, 1=Unoccupied. Forcerad ventilation är ej satt i Occupied-läget.	1
47	<i>Ingen funktion för denna modell</i>	
48	Minflöde på kylutgången då reglerfall värme/kyla med VAV-reglering är vald	20
49	Maxflöde på kylutgången då reglerfall värme/kyla med VAV-reglering är vald och värme styrs ut	0
50	Konfigurering av fläktstyrning: 0=Ingen styrning, 1=Fläkten styrs av värmebehov, 2=Fläkten styrs av kylbehov, 3=Fläkten styrs både av värme- och kylbehov	3
51	Startsignal i % för fläkthastighet 1 vid värme- eller kylutstyrning	20
52	Startsignal i % för fläkthastighet 2	60
53	Startsignal i % för fläkthastighet 3	100
54	Hysteres för start/stopp av fläktarna	5
55	Anger antalet hastigheter för fläkten	3
56	Temperaturkompensation på AI1	0°C
57	Temperaturkompensation på UI1	0°C
58	Temperaturkompensation på intern rumsgivare	0°C
59	Filterfaktor för analoga temperaturgångar	0,2
60	Anger NO/NC digital ingång 1: 0=NO (Normalt öppen), 1=NC (Normalt stängd)	0
61	Anger NO/NC digital ingång 2: 0=NO (Normalt öppen), 1=NC (Normalt stängd)	1
62	Anger NO/NC universell ingång 1: 0=NO (Normalt öppen), 1=NC (Normalt stängd)	0
63	Manuell/Auto värmeutsignal: 0=Från, 1=Manuell, 2=Auto	2
64	Manuell/Auto kylutsignal: 0=Från, 1=Manuell, 2=Auto	2
65	Manuell/Auto forcerad ventilation: 0=Från, 1=Till, 2=Auto. Kan t. ex. aktiveras från ett centralt system vid exempelvis nattkyla	2

66	Manuell/Auto styrning av change-over läget: 0=Värmer reglering, 1=Kylreglering, 2=Automatiskt omslag beroende på analog temperaturgivare eller digital ingång	2
67	Värmeutsignal i manuellt läge	0
68	Kylutsignal i manuellt läge	0
69-72	<i>Ingen funktion för denna modell</i>	
73	Val av funktion för värmeutgång (NO/NC): 0=NC, 1=NO	0
74	Visning av börvärde vid börvärdesjustering: 0=Förskjutning visas i displayen, 1=Reglerande börvärde + förskjutning visas i displayen. HEAT eller COOL visas beroende på om värme eller kyla är reglerande när man går in i menyn, 2=Värmebörvärde + förskjutning visas i displayen, 3=Kylbörvärde + förskjutning visas i displayen	0



Den här produkten är CE-märkt.
För mer information, se www.regincontrols.com.

Teknisk support

Teknisk hjälp och råd på telefon: 031 720 02 30

Kontakt

AB Regin, Box 116, 428 22 Källered
Tel: +46 31 720 02 00, Fax: +46 31 720 02 50
www.regin.se, info@regin.se



Veillez lire cette instruction avant de procéder à l'installation et au raccordement de l'appareil.

Régulateur d'ambiance avec écran et bouton de commande du ventilateur

RC-DFO est un régulateur d'ambiance de la gamme Regio Mini qui permet de réguler le chauffage et le refroidissement dans les systèmes de contrôle de zones. Il est doté d'un écran rétroéclairé et d'un bouton pour le contrôle de la vitesse du ventilateur (3 vitesses possibles). Il peut être monté directement sur le mur ou dans une boîte d'encastrement. Ce modèle n'a pas de port de communication.

Caractéristiques techniques

Tension d'alimentation	18...30 V AC, 50...60 Hz
Puissance consommée	2,5 VA
Température ambiante	0...50 °C
Humidité ambiante	Max. 90 %HR
Température de stockage	-20...+70 °C
Ecran	à cristaux liquides rétroéclairé
Sonde de température intégrée	NTC, plage de mesure 0...50 °C, précision +/-0,5 °C pour 15...30 °C
Entrées et sorties	Voir les schémas de connexion et les tableaux ci-après.
Bornes de raccordement	Pour câble avec une section de 2,1 mm ²
Indice de protection	IP20
Matière, boîtier	Polycarbonate, PC
Poids	110 g
Dimensions	95 x 95 x 28 mm

Installation

Monter le régulateur dans un endroit représentatif de la température dans la pièce et qui ne présente pas d'obstacle à la libre circulation de l'air. La hauteur de montage est de 1,6 m au dessus du sol.

Pour retirer le socle du régulateur, utiliser un tournevis et appuyer sur la languette située à la base de l'appareil (voir figure 1).

Dégager ensuite la partie électronique à l'aide des quatre encoches. Glisser le tournevis dans une des encoches et faire levier contre le bord du socle (voir figure 2).

Note : Attention à ne pas endommager la carte électronique avec le tournevis.

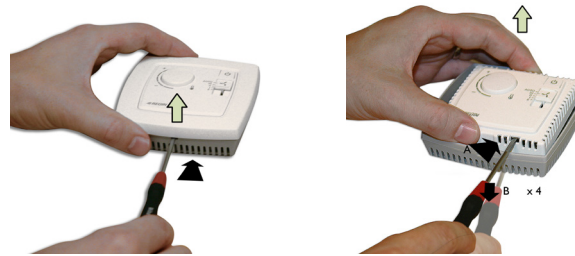


Figure 1

Figure 2

Le socle du régulateur est composé de plusieurs bornes de raccordement ainsi que de plusieurs trous de fixation (entraxe 60 mm). Visser le socle au mur ou dans la boîte d'encastrement de sorte que les flèches pointent vers le haut (voir figure 3). Attention à ne pas serrer les vis trop fort.

Pour le câblage apparent, utiliser les embouts perforables.

RC-DFO est doté de sorties digitales pour le contrôle d'un ventilateur à trois vitesses. Le module relais RB3 peut être utilisé pour gérer les ventilateurs alimentés en 230 V AC. Pour plus d'information sur le module RB3, voir la fiche produit correspondante.

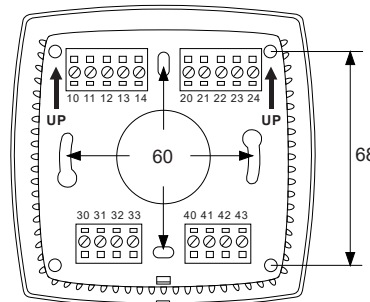


Figure 3. Socle et emplacement des bornes de connexion (dimensions en mm).

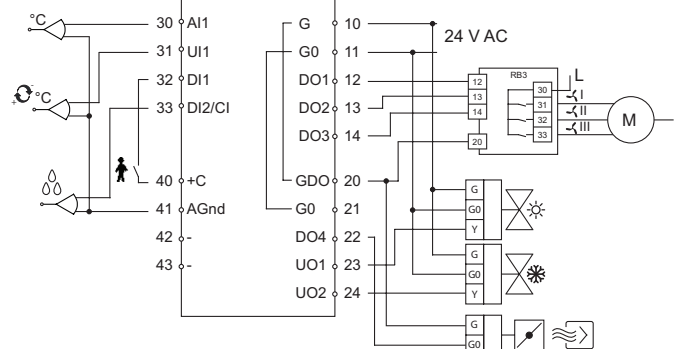


Figure 4. Schéma de connexion de RC-DFO

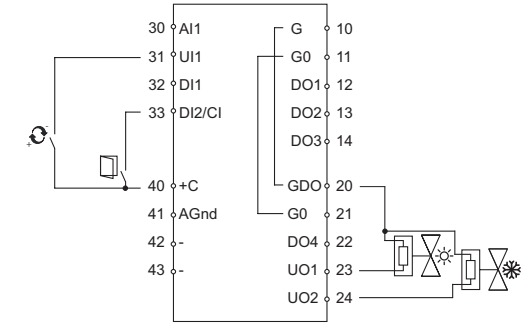


Figure 5. Autres connexions possibles pour les bornes 31 (UI1), 33 (DI2/CI), 23 (UO1) et 24 (UO2).

Voir le tableau 1 pour les raccordements. (RU) indique le réglage usine.

Tableau 1. Bornes de raccordement des E/S.

Borne	Désignation	Fonction
10	G	Alimentation 24 V AC
11	G0	0 V (Neutre)
12	DO1	Contrôle ventilateur : petite vitesse. Sortie 24 V AC, max 0,5 A. Un relais 24 V AC est connecté entre les bornes 12 et 20 (GDO).
13	DO2	Contrôle ventilateur : vitesse moyenne. Sortie 24 V AC, max 0,5 A. Un relais 24 V AC est connecté entre les bornes 13 et 20 (GDO).
14	DO3	Contrôle ventilateur : grande vitesse. Sortie 24 V AC, max 0,5 A. Un relais 24 V AC est connecté entre les bornes 14 et 20 (GDO).
20	GDO	Sortie 24 V AC commune à toutes les sorties digitales (DO). Connectée en interne à la borne 10 (G).
21	G0	0 V commun aux sorties universelles (UO). Connecté en interne à la borne (G0).
22	DO4	Pour la ventilation forcée. Sortie 24 V AC, max 0,5 A. Un actionneur 24 V AC est connecté entre les bornes 22 et 20 (GDO).

23	UO1	<p>Contrôle du chauffage (RU) ou du refroidissement avec fonction change-over.</p> <p>Pour des moteurs de vannes 0...10 V DC, max. 5 mA (RU) : La borne du signal de commande 0...10 V de l'actionneur est branchée à la borne 23 et les bornes d'alimentation électrique sont reliées aux bornes 10 et 11. Attention à bien relier le neutre du régulateur (G0) au neutre de l'actionneur.</p> <p><i>Autre possibilité</i></p> <p>Pour un actionneur thermique 24 V AC, max. 2,0 A : L'actionneur thermique est branché sur les bornes 23 et 20 (GDO).</p> <p>Pour le choix de l'actionneur (NO/NF), reportez-vous à la liste des paramètres (paramètre 73).</p> <p><i>Pour choisir le type de sortie, analogique ou digitale, aller dans le menu paramètre, afficher le paramètre 20 et sélectionner le chiffre correspondant au réglage "actionneur thermique".</i></p>
24	UO2	<p>Sortie de commande du chauffage ou du refroidissement (RU).</p> <p>Pour des moteurs de vannes 0...10 V DC, max. 5 mA (RU) : La borne du signal de commande 0...10 V de l'actionneur est branchée à la borne 24 et les bornes d'alimentation électrique sont reliées aux bornes 10 et 11. Attention à bien relier le neutre du régulateur (G0) au neutre de l'actionneur.</p> <p><i>Autre possibilité</i></p> <p>Pour un actionneur thermique 24 V AC, max. 2,0 A : L'actionneur thermique est branché sur les bornes 24 et 20 (GDO).</p> <p><i>Pour choisir le type de sortie, analogique ou digitale, aller dans le menu paramètre, afficher le paramètre 21 et sélectionner le chiffre correspondant au réglage "actionneur thermique".</i></p>
30	AI1	<p>Entrée pour sonde externe de type PT1000. Plage de mesure 0...50 °C. La sonde est branchée sur les bornes 30 et 41 (AGnd).</p>

31	UI1	<p>Commande pour passer du chauffage au refroidissement dans les installations à deux tubes (fonction change-over). La sonde PT1000 est branchée sur les bornes 31 et 41 (AGnd). Plage de mesure : 0...100 °C.</p> <p><i>Autre possibilité</i></p> <p>Contact libre de potentiel Un contact libre de potentiel peut être connecté entre les bornes 31 et 40 (+C).</p>
32	DI1	<p>Détecteur de présence. Un contact libre de potentiel peut être connecté entre les bornes 32 et 40 (+C). Le contact est fermé en cas de présence. <i>Voir également le paragraphe "Détection de présence" dans la section "Réglages" ci-après.</i></p>
33	DI2/CI	<p>Détecteur de condensation de Regin, KG-A (RU). Le détecteur est branché sur les bornes 33 et 41 (AGnd).</p> <p><i>Autre possibilité</i></p> <p>Contact de fenêtre (DI) Un contact libre de potentiel peut être connecté entre les bornes 33 et 40 (+C). Le contact est fermé lorsque la fenêtre est fermée.</p>
40	+C	Sortie 24 V DC commune pour DI et UI lorsque cette dernière est utilisée comme une entrée digitale.
41	AGnd	Masse analogique pour AI et UI lorsque cette dernière est utilisée comme une entrée analogique.
42-43		Aucune fonction

Réglages

Les valeurs d'usine peuvent être modifiées dans le menu «Paramètres» accessible depuis l'écran.

Modes de régulation

RC-DFO peut être configuré pour fonctionner dans les différents modes suivants :

- Chauffage
- Chauffage ou refroidissement avec fonction change-over.
- Chauffage/ Chauffage
- Chauffage/ Refroidissement
- Chauffage/ Refroidissement avec contrôle à VAV et relance du

- soufflage.
- Chauffage/ Refroidissement avec contrôle à VAV.
- Refroidissement
- Refroidissement/ Refroidissement

Chauffage/ Refroidissement avec contrôle à VAV et relance du soufflage.

Chauffage et refroidissement en séquence, où le refroidissement est obtenu en faisant varier le débit d'air. La sortie refroidissement est utilisée pour contrôler le registre d'air neuf aussi bien pour le chauffage que pour le refroidissement. Lorsque la ventilation est forcée, la sortie refroidissement est réglée sur 100% quel que soit le signal de sortie du régulateur.

Chauffage/ Refroidissement avec contrôle à VAV.

Le chauffage et le refroidissement sont contrôlés de la même façon que précédemment à la différence qu'il n'est pas possible de forcer le registre. La sortie refroidissement peut être configurée avec une limite minimum afin d'assurer une ventilation minimum dans la pièce. Une limite maximum peut être appliquée au débit d'air lorsque le chauffage est actif. Si la batterie chaude n'est pas située sur la gaine d'air neuf et si vous voulez éviter que le registre s'ouvre en fonction de la demande en chauffage alors il faut que la limite max. soit égale au débit normal.

Fonction change-over

RC-DFO est doté d'une entrée pour la fonction change-over. Cette dernière permet d'utiliser la sortie UO1 pour commander soit le chauffage soit le refroidissement, en fonction du besoin.

Cette entrée peut aussi être raccordée à une sonde de type PT1000 montée de façon à indiquer la température d'arrivée d'eau du ventilconvecteur.

Lorsque la température est supérieure 22 °C (RU), la sortie UO1 passe en mode chauffage et lorsque la température est inférieure à 18 °C (RU), elle passe en mode refroidissement.

Une autre solution consiste à utiliser un contact libre de potentiel pour changer de mode de régulation. Lorsque le contact est ouvert, le régulateur fonctionne en mode chauffage et lorsque le contact est fermé, le régulateur fonctionne en mode refroidissement.

Pour garantir des conditions de fonctionnement correctes avec la sonde externe, l'installation doit avoir un circuit primaire continu. Lorsque la fonction change-over n'est pas utilisée il faut laisser l'entrée déconnectée.

Modes de fonctionnement

Il y a cinq modes de fonctionnement. Le changement de l'un à l'autre se fait sur le régulateur.

Confort/Présence (Occupied) : Mode confort. Ce mode est à utiliser lorsque la pièce est occupée. La température de la pièce est régulée en fonction des valeurs de consigne pour le refroidissement (RU = 24 °C) et pour le chauffage (RU = 22 °C).

Eco (Stand-by) : Mode économie d'énergie. Ce mode est à utiliser lorsque la pièce n'est pas occupée pendant une courte période (ex. nuit, week-end, etc.). La régulation sur fait sur une plage de température étendue, c.-à-d. que le chauffage et le refroidissement sont arrêtés dans l'intervalle de température [valeur de la consigne de chauffage - 3 °C ; valeur de la consigne de refroidissement + 3 °C] (RU = [19 °C ; 27 °C]).

By-pass : Mode ventilation forcée. Ce mode est commandé par un détecteur de présence ou tout autre contact digital connecté au régulateur d'ambiance. Lorsque le contact se ferme le régulateur passe en mode By-pass. La régulation de la température de la pièce est la même qu'en mode Confort/Présence avec la ventilation forcée en plus. Ce mode se désactive automatiquement après une certaine période d'inactivité du détecteur de présence (RU = 10 minutes) et le régulateur repasse en mode de fonctionnement par défaut.

Inoccupé (Unoccupied) : Ce mode est à utiliser pour des périodes d'absence longue (par ex. les vacances, week-end prolongés, etc.). Le chauffage et le refroidissement sont arrêtés dans un intervalle de température délimité par une limite min. et une limite max. paramétrables (RU : lim. min = 15 °C, lim. max. = 30 °C). Pour enclencher ce mode, maintenir le bouton de présence appuyé pendant au moins 5 secondes.

Arrêt (Off) : Mode Hors-gel. Le chauffage et le refroidissement sont arrêtés. Cependant la température ne doit pas descendre en dessous de la température minimum réglée (RU = 8 °C) sinon le régulateur enclenche automatiquement le chauffage. Ce mode s'enclenche automatiquement sur ouverture d'un contact de fenêtre. Il est aussi possible de modifier la configuration dans le menu «Paramètres» pour que ce mode s'enclenche lorsque le bouton présence est maintenu appuyé pendant plus de 5 secondes.

Mode de fonctionnement par défaut

Confort/ Présence (Occupied) est le mode de fonctionnement par défaut. Ce paramètre peut être modifié dans le menu «Paramètres» (n°45) et réglé sur «Eco» (stand-by).

Détecteur de présence

Un détecteur de présence permet de contrôler localement le passage entre le mode de fonctionnement préréglé et le mode By-pass.

Valeurs de consigne

En mode Confort/Présence (Occupied), le régulateur utilise les valeurs de consigne de chauffage et de refroidissement par défaut (RU : valeur de consigne de chauffage = 22 °C; valeur de consigne de refroidissement = 24 °C). Ces valeurs de consigne peuvent être modifiées à l'aide des boutons AUGMENTER/ DIMINUER.

Une pression sur la touche AUGMENTER fait augmenter la valeur de consigne par paliers de 0,5 °C, jusqu'à atteindre le maximum de +3 °C.

Une pression sur la touche DIMINUER fait diminuer la valeur de consigne par paliers de 0,5 °C, jusqu'à atteindre la limite de -3 °C.

Le changement du chauffage au refroidissement ou inversement, s'effectue automatiquement en fonction du besoin.

Pour le choix des informations affichées pour les valeurs de consigne, voir la liste des paramètres (n° 74).

Commande de ventilateur

RC-DFO possède un bouton pour la commande du ventilateur avec les choix de réglages suivants :

AUTO	La vitesse du ventilateur est contrôlée automatiquement pour maintenir la température ambiante désirée.
0	Le ventilateur est arrêté.
I	Commande manuelle de la petite vitesse
II	Commande manuelle de la vitesse moyenne
III	Commande manuelle de la grande vitesse.

Protection contre le gel

Indépendamment du mode de fonctionnement choisi, le régulateur force le chauffage lorsque la température de la pièce descend en dessous de 8 °C. Il revient ensuite automatiquement en mode normal dès que la température repasse au dessus de 8 °C.

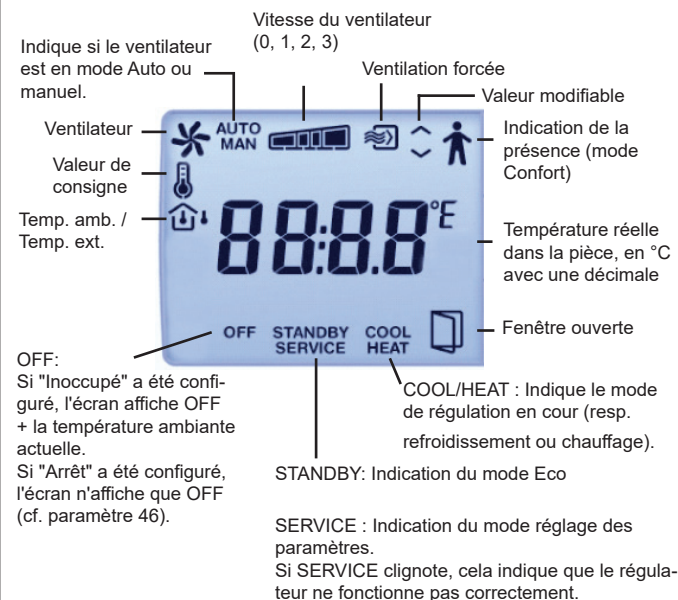
Détecteur de condensation

En cas de condensation, le refroidissement est bloqué. Le retour au mode normal se fait automatiquement lorsque la condensation a disparu.

Gestion de l'affichage

Voyants d'indication

L'écran permet d'afficher les informations suivantes :



Boutons

RC-DFO est doté des boutons suivants :

• Bouton de présence

Lorsque le bouton de présence est maintenu appuyé pendant plus de 5 secondes, le régulateur se met à l'arrêt (Arrêt/ Inoccupé), indépendamment du mode de fonctionnement en cours.

Il y a deux choix possibles pour la configuration de la mise à l'arrêt : soit arrêter la régulation (Off), soit passer en mode inoccupé (Unoccupied). Le réglage se fait via l'écran.

Le réglage par défaut est Inoccupé (Unoccupied).

Lorsque le régulateur est éteint ou en mode par défaut et que vous appuyez brièvement sur le bouton de présence, le régulateur passe en mode By-pass. Lorsque le régulateur est en mode By-pass et que vous appuyez brièvement sur le bouton de présence, le régulateur revient au mode de régulation par défaut.

N.B. :Après un certain temps passé en mode By-pass (paramètre configurable, RU = 2 heures), le régulateur revient automatiquement au mode de fonctionnement par défaut.

- **Bouton AUGMENTER**
- **Bouton DIMINUER**
- **Bouton de commande du ventilateur** (voir page précédente § «Commande de ventilateur»).

Réglage des paramètres

Changer un paramètre

Pour choisir et changer la valeur d'un paramètre, il faut utiliser le menu «Paramètres». Pour cela, appuyer simultanément sur les touches AUGMENTER et DIMINUER pendant au moins 5 secondes puis appuyer deux fois sur la touche AUGMENTER. «SERVICE» s'affiche en bas de l'écran.

L'écran affiche alors le paramètre n°1. Vous pouvez faire défiler les paramètres à l'aide des boutons AUGMENTER et DIMINUER.

Appuyer sur le bouton de présence pour sélectionner le paramètre désiré. Le numéro du paramètre est remplacé par la valeur du paramètre. Pour changer cette valeur, utiliser les boutons AUGMENTER et DIMINUER. Si vous maintenez le bouton appuyé, les valeurs défilent automatiquement, d'abord lentement puis de plus en plus vite.

Valider/ Annuler une modification

Pour valider la nouvelle valeur d'un paramètre, appuyer sur le bouton de présence, l'écran affiche de nouveau le numéro du paramètre.

Pour revenir à la valeur initiale, c.-à-d. la valeur avant le changement, appuyer simultanément sur les boutons AUGMENTER et DIMINUER. L'ancienne valeur s'affiche à l'écran.

Revenir à l'affichage normal

Après un certain délai d'inactivité (environ 1 minute) le régulateur quitte le mode réglage et revient à l'affichage normal. Vous pouvez aussi sortir du mode «Réglage» en appuyant de nouveau simultanément sur les touches AUGMENTER et DIMINUER.

Il est également possible de sortir de la liste des paramètres en utilisant le paramètre EXIT situé en fin de liste. Pour accéder à EXIT, faire défiler les paramètres jusqu'à ce que EXIT s'affiche où bien appuyer sur DIMINUER à partir du paramètre n° 1. Lorsque EXIT est affiché, valider en appuyant sur le bouton de présence. Appuyer sur AUGMENTER pour revenir au paramètre 1, appuyer sur DIMINUER pour revenir au dernier paramètre de la liste.

Numéro de paramètre

Les paramètres suivants peuvent être modifiés dans le menu «Paramètres» :

N°	Description	RU
1	Valeur de consigne de chauffage	22 °C
2	Valeur de consigne de refroidissement	24 °C
3	Zone neutre en mode Eco (veille). Valeur de consigne de chauff. = valeur de consigne Chauff. par défaut - 3. Valeur de consigne de refr. = valeur de consigne Refr. par défaut + 3.	3 °C
4	Valeur de consigne chauffage en mode Inoccupé.	15 °C
5	Valeur de consigne refroidissement en mode Inoccupé.	30 °C

6	Consigne protection contre le gel.	8 °C
7	Bande proportionnelle du régulateur	10 °C
8	Temps d'intégration du régulateur (en s).	300 s
9	Seuil de démarrage du refroidissement par la fonction change-over : Si la température sur l'entrée analogique de la fonction change-over est inférieure à cette température, le régulateur passe en mode refroidissement.	18 °C
10	Seuil de démarrage du chauffage par la fonction change-over : Si la température sur l'entrée analogique de la fonction change-over est supérieure à cette température, le régulateur passe en mode chauffage.	22 °C
11	Modes de régulation : 0 = Chauffage. 1 = Chauffage/Chauffage. 2 = Chauffage ou refroidissement via change-over. 3 = Chauffage/Refroidissement. 4 = Chauffage/Refroidissement avec contrôle VAV et ventilation forcée 5 = Chauffage/Refroidissement avec contrôle VAV. 6 = Refroidissement. 7 = Refroidissement/Refroidissement.	3
12	Durée du mode By-pass	120 min
13	Retard à l'arrêt lorsque le régulateur passe du mode Confort au mode Inoccupé.	10 min
14	Délai pour la mise en route du mode Confort.	0 min
15	Type de sonde raccordé à AI1 : 0 = Sonde interne, 1 = Sonde d'ambiance externe	0
16	Type de sonde raccordé à U11 : 0 = Aucune, 1 = Change-over digital, 2 = Change-over analogique	2
18	Type de sonde raccordé à DI2 : 1 = Contact de fenêtre, 2 = Détecteur de condensation	2
20	Fonction appliquée sur UO1 : 0 = Aucune, 1 = Actionneur de chauffage (thermique), 2 = Aucune, 3 = Actionneur de chauffage (0...10 V), 4 = Aucune	3

21	Fonction appliquée sur UO2 : 0 = Aucune, 1 = Aucune, 2 = Actionneur de refroidissement (thermique) , 3 = Aucune, 4 = Actionneur de refroidissement (0...10 V)	4
29	Type de signal de sortie de l'actionneur de chauffage : 0 = 0...10 V, 1 = 2...10 V, 2 = 10...2 V, 3 = 10...0 V	0
30	Type de signal de sortie de l'actionneur de refroidissement : 0 = 0...10 V, 1 = 2...10 V, 2 = 10...2 V, 3 = 10...0 V	0
31	Temps de cycle de l'actionneur de chauffage lorsqu'un actionneur thermique.est utilisé.	60 s
32	Temps de cycle de l'actionneur de refroidissement lorsqu'un actionneur thermique.est utilisé.	60 s
33-35	Aucune fonction sur ce modèle.	
36	Fréquence (en heure) entre deux tests de fonctionnement de l'actionneur de chauffage.	23
37	Fréquence (en heure) entre deux tests de fonctionnement de l'actionneur de refroidissement.	23
42	Choix de la valeur affichée à l'écran : 0 = Valeur réelle, 1 = Valeur de consigne chauffage, 2 = Valeur de consigne refroidissement, 3 = Valeur moyenne de la consigne pour le chauffage et le refroidissement, 4 = Ajustement de la valeur de consigne.	0
43	Ajustement maximum autorisé de la valeur de consigne vers le haut (augmenter).	3 °C
44	Ajustement maximum autorisé de la valeur de consigne vers le bas (diminuer).	3 °C
45	Mode de fonctionnement par défaut : 1 = Inoccupé, 2 = Eco (veille), 3 = Confort (présence). La ventilation forcée n'est pas enclenchée en mode Confort (Présence).	3

46	Mode de fonctionnement enclenché lorsque le bouton de présence est maintenu appuyé pendant plus de 5 secondes : 0 = Arrêt 1 = Inoccupé La ventilation forcée n'est pas enclenchée en mode Confort (Présence).	1
47	<i>Aucune fonction sur ce modèle.</i>	
48	Limite min. de la sortie refroidissement (en % du débit) lorsque le mode "Chauffage/Refroidissement avec contrôle VAV" est sélectionné (maintien d'un débit de ventilation minimum dans la pièce).	20
49	Limite max. de la sortie refroidissement (en % du débit) lorsque le mode "Chauffage/Refroidissement avec contrôle VAV" est sélectionné et que le chauffage est actif (limitation du débit de ventilation dans la pièce).	0
50	Configuration de la commande du ventilateur : 0 = Aucun contrôle, 1 = Le ventilateur est commandé par la demande en chauffage, 2 = Le ventilateur est commandé par la demande en refroidissement, 3 = Le ventilateur est commandé par la demande en chauffage et en refroidissement.	3
51	Seuil de mise en route du ventilateur en vitesse I lorsque le ventilateur est contrôlé par la demande en chauffage ou en refroidissement (en % du signal).	20
52	Seuil de mise en route du ventilateur en vitesse II (en % du signal).	60
53	Seuil de mise en route du ventilateur en vitesse III (en % du signal).	100
54	Hystérésis pour le démarrage/arrêt des ventilateurs	5
55	Nombre de vitesses du ventilateur	3
56	Compensation de la température sur AI1	0 °C
57	Compensation de la température sur UI1	0 °C
58	Compensation de la température pour la sonde de température ambiante interne	0 °C
59	Facteur de filtre pour les entrées de température analogiques.	0,2
60	Etat de l'entrée digitale 1 (DI1) : 0 = NO (Normalement ouverte), 1 = NF (Normalement fermée)	0

61	Etat de l'entrée digitale 2 (DI2) : 0 = NO (Normalement ouverte), 1 = NF (Normalement fermée)	1
62	Etat de l'entrée universelle 1 (UI1) : 0 = NO (Normalement ouverte), 1 = NF (Normalement fermée)	0
63	Signal de sortie chauffage : 0 = Arrêt, 1 = Manuel, 2 = Auto	2
64	Signal de sortie refroidissement : 0 = Arrêt, 1 = Manuel, 2 = Auto	2
65	Ventilation forcée : 0 = Arrêt, 1 = Manuel, 2 = Auto Peut être activée depuis un système central, par ex. pour la surventilation.	2
66	Fonction change-over : 0 = Chauffage, 1 = Refroidissement, 2 = Changement automatique commandé soit par la sonde de température analogique soit par l'entrée digitale.	2
67	Commande manuelle du signal de sortie chauffage	0
68	Commande manuelle du signal de sortie refroidissement	0
69-72	<i>Aucune fonction sur ce modèle.</i>	
73	Choix de la fonction de sortie chauffage : 0 = NF (normalement fermée) 1 = NO (normalement ouverte).	0
74	Valeur affichée lors de l'ajustement de la valeur de consigne : 0 = Seul l'ajustement est affiché à l'écran, 1 = La consigne + l'ajustement sont affichés à l'écran. HEAT ou COOL s'affiche aussi pour indiquer le mode de régulation en cours, chauffage ou refroidissement, lorsque vous entrez dans le menu. 2 = La consigne chauffage + l'ajustement sont affichés à l'écran, 3 = La consigne refroidissement + l'ajustement sont affichés.	0



Ce produit est marqué CE.
Plus d'informations sont disponibles sur www.regincontrols.com.

Contact

Regin Control SARL, 32 rue Delizy, 93500 Pantin
Tél : 01 41 71 00 34, Fax : 01 41 71 46 46
www.regin.fr, info@regin.fr



Diese Anleitung vor Installation und Verdrahtung des Produktes bitte durchlesen

Raumregler mit Ventilatorschalter und Display

Der RC-DFO ist ein Raumregler aus der Regio Mini-Reihe, der für die Heiz- und Kühlregelung in einem Zonenregelsystem geeignet ist. Er verfügt über einen Schalter für die Ansteuerung eines dreistufigen Ventilators (Fan-Coil) und ein Display. Die Montage erfolgt direkt an die Wand oder an eine Anschlussdose. Der Regler hat keine Kommunikationsmöglichkeit.

Technische Daten

Versorgungsspannung	18...30 V AC, 50...60 Hz
Leistungsaufnahme	2,5 VA
Umgebungstemperatur	0...50 °C
Umgebungsfeuchte	Max. 90 % rF
Lagerungstemperatur	-20...+70 °C
Display	LCD mit Hintergrundbeleuchtung
Eingebauter Temperaturfühler	NTC-Typ, Bereich 0...50 °C, Genauigkeit +/- 0,5 °C bei 15...30 °C
Ein- und Ausgänge	Siehe Anschluss-Abbildungen und Tabelle unten
Anschlussklemmen	Lift-Typ für Kabelquerschnitte bis 2,1 mm ²
Schutzart	IP20
Material, Gehäuse	Polykarbonat, PC
Gewicht	110 g
Maße	95 x 95 x 28 mm



Präsenztaste
ERHÖHEN-Taste
SENKEN-Taste
VENTILATOR-Taste

Montage

Der Regler muss an einem Ort montiert werden, an dem eine für den Raum repräsentative Temperatur herrscht. Eine geeigneter Ort dafür wäre in ca. 1,6 m Höhe über dem Boden an einer Stelle mit ungehinderter Luftzirkulation.

Lösen Sie den Rahmen, indem Sie den Verschlusschaken an der Unterseite des Gehäuses mit einem Schraubendreher eindrücken. Siehe Abb. 1. Lösen Sie danach die Elektronik heraus, indem Sie den Schraubendreher in die viereckigen Aussparungen schieben und gegen die Kante des Sockels drücken. Siehe Abb. 2.

Hinweis: Bitte vorsichtig sein, damit die Elektronik nicht vom Schraubendreher beschädigt wird.



Abb. 1

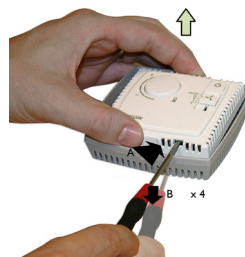


Abb. 2

Der Sockel mit Klemmen hat mehrere Befestigungsbohrungen. Wählen Sie für die Montage die gewünschten Befestigungsbohrungen (siehe Abb. 3) und befestigen Sie den Sockel so an der Wand oder auf der Wanddose, dass die Pfeilmarkierungen nach oben gerichtet sind. Ziehen Sie die Schrauben nicht zu fest an!

Bei aufputzmontierten Kabeln müssen Sie die geeigneten Löcher entsprechend den Markierungen am Sockel herausbrechen. RC-DFO hat Digitalausgänge für die Ansteuerung eines dreistufigen Ventilators. Das Relaismodul RB3 ist für den Einsatz mit Ventilatoren mit einer Versorgungsspannung von 230 V AC geeignet. Weitere Informationen finden Sie auf dem Produktblatt für RB3.

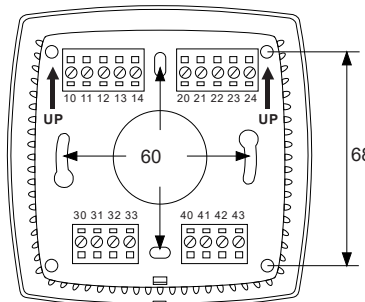


Abb. 3. Sockel mit Montagealternativen und Position der Klemmen (Maße in mm).

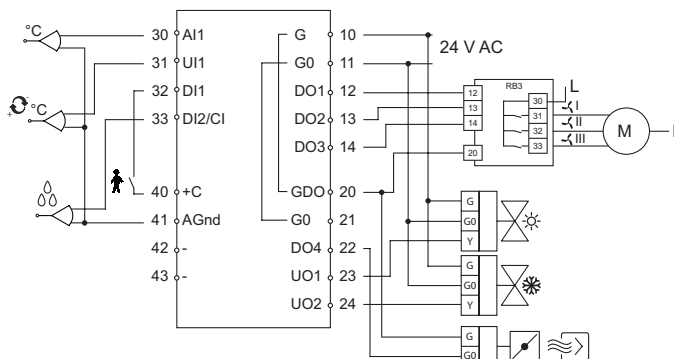


Abb. 4. Anschlussplan für RC-DFO

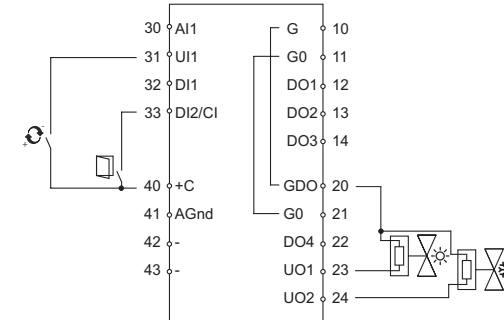


Abb. 5. Alternativer Anschluss für Klemme 31, UI1 und Klemme 33, DI2/CI, Klemme 23, UO1 und Klemme 24, UO2.

Siehe Tabelle 1 unter den Einstellungen. (WE) = Werkseinstellung.

Tabelle 1. E/A-Anschlussklemmen

Klemme	Bezeichnung	Funktion
10	G	Versorgungsspannung 24 V AC
11	G0	Versorgungsspannung 0 V
12	DO1	Für Ventilatoransteuerung, Stufe 1. 24 V AC-Ausgang, max. 0,5 A. Ein 24 V AC-Relais wird zwischen Klemme 12 und Klemme 20 (GDO) angeschlossen.
13	DO2	Für Ventilatoransteuerung, Stufe 2. 24 V AC-Ausgang, max. 0,5 A. Ein 24 V AC-Relais wird zwischen Klemme 13 und Klemme 20 (GDO) angeschlossen.
14	DO3	Für Ventilatoransteuerung, Stufe 3. 24 V AC-Ausgang, max. 0,5 A. Ein 24 V AC-Relais wird zwischen Klemme 14 und Klemme 20 (GDO) angeschlossen.
20	GDO	24 V AC Spannung, gemeinsam für DO. Intern mit Klemme 10 (G) verbunden.
21	G0	0 V Spannung, gemeinsam für UO. Intern mit Klemme 11 (G0) verbunden.
22	DO4	Für Zwangslüftung. 24 V AC-Ausgang, max. 0,5 A. Ein 24 V AC-Stellantrieb wird zwischen Klemme 22 und Klemme 20 (GDO) angeschlossen.

23	UO1	<p>Ausgangssignal Heizen (WE) oder Kühlen mit Change-Over.</p> <p>Für 0...10 V DC-Ventilstellantrieb, max. 5 mA (WE). Die 0...10 V-Eingangsklemme des Stellantriebs wird an Klemme 23, und dessen Spannungsversorgung an Klemme 10 und 11 angeschlossen. Stellen Sie sicher, dass das Bezugspotential G0 an die korrekte Klemme am Stellantrieb angeschlossen ist.</p> <p><i>Alternativ</i></p> <p>Bei einem thermischen Stellantrieb (24 V AC) maximal 2,0 A. Der thermische Stellantrieb wird zwischen die Klemmen 23 und 20 (GDO) angeschlossen.</p> <p>Auswahl des Stellantriebs (NO/NG), siehe Parameterliste, Parameter 73.</p> <p><i>Gehen Sie für die Auswahl der Ausgangsfunktion (analog oder digital) in das Parametermenü und stellen Sie Parameter 20 auf thermischen Stellantrieb.</i></p>
24	UO2	<p>Ausgangssignal Heizen oder Kühlen (WE).</p> <p>Für 0...10 V DC-Ventilstellantrieb, max. 5 mA (WE). Die 0...10 V-Eingangsklemme des Stellantriebs wird an Klemme 24, und dessen Spannungsversorgung an Klemme 10 und 11 angeschlossen. Stellen Sie sicher, dass das Bezugspotential G0 an die korrekte Klemme am Stellantrieb angeschlossen ist.</p> <p><i>Alternativ</i></p> <p>Bei einem thermischen Stellantrieb (24 V AC) maximal 2,0 A. Der thermische Stellantrieb wird zwischen die Klemmen 24 und 20 (GDO) angeschlossen.</p> <p><i>Gehen Sie für die Auswahl der Ausgangsfunktion (analog oder digital) in das Parametermenü und stellen Sie Parameter 21 auf thermischen Stellantrieb.</i></p>
30	AI1	<p>Für externen Raumfühler, PT1000. Messbereich 0...50 °C. Fühler wird zwischen Klemmen 30 und 41 (AGnd) angeschlossen.</p>

31	UI1	<p>Für Umschaltung zwischen Heizen und Kühlen (Change-Over) in 2-Rohr-Systemen. PT1000-Fühler wird zwischen Klemmen 31 und 41 (AGnd) angeschlossen. Bereich: 0...100 °C.</p> <p><i>Alternativ</i></p> <p>Für potentialfreien Kontakt. Ein potentialfreier Kontakt wird zwischen den Klemmen 31 und 40 (+C) angeschlossen.</p>
32	DI1	<p>Präsenzmelder. Ein potentialfreier Kontakt wird zwischen den Klemmen 32 und 40 (+C) angeschlossen. Geschlossener Kontakt entspricht Präsenz.</p> <p><i>Siehe auch nachfolgenden Abschnitt Präsenzmelder.</i></p>
33	DI2/CI	<p>Regin-Kondensationsfühler, KG-A (WE). Der Fühler wird zwischen Klemmen 33 und 41 (AGnd) angeschlossen.</p> <p><i>Alternativ</i></p> <p>Fensterkontakt (DI)</p> <p>Ein potentialfreier Kontakt wird zwischen Klemmen 33 und 40 (+C) angeschlossen. Geschlossener Kontakt entspricht geschlossenem Fenster.</p>
40	+C	<p>24 V DC Spannung, gemeinsam für DI und UI (auf digital gestellt)</p>
41	AGnd	<p>Analoge Masse, Bezugspotential für AI und UI (auf analog gestellt)</p>
42-43		<p>Keine Funktion</p>

Einstellungen

Die WE-Werte können im Parametermenü im Display geändert werden.

Regelmodi

RC-DFO kann für verschiedene Regelmodi/Regelsequenzen konfiguriert werden:

- Heizen
- Heizen oder Kühlen mit Change-Over
- Heizen/Heizen
- Heizen/Kühlen
- Heizen/Kühlen mit VAV-Regelung und Zwangslüftungsfunktion
- Heizen/Kühlen mit VAV-Regelung
- Kühlen
- Kühlen/Kühlen

Heizen/Kühlen mit VAV-Regelung und Zwangslüftungsfunktion
 Heizen und Kühlen in Sequenz, wobei Kühlen durch Verändern des Volumenstroms erfolgt. Durch das Kühlausgangssignal wird die Zuluftklappe sowohl für den Heiz- als auch für den Kühlbedarf geregelt. Bei aktivierter Zwangslüftung wird das Kühlausgangssignal auf 100 % gestellt, unabhängig vom eigentlichen Reglerstellsignal.

Heizen/Kühlen mit VAV-Regelung

Heizen und Kühlen werden nach dem gleichen Prinzip, wie oben, mit VAV-Lüftung, geregelt. Es ist jedoch nicht möglich, die Klappe zwangszuregeln. Für den Kühlausgang kann eine Mindestbegrenzung konfiguriert werden, um eine minimale Grundlüftung für den Raum sicherzustellen. Wenn Heizen aktiviert ist, kann für den Volumenstrom eine Maximalbegrenzung eingestellt werden. Wenn sich die Heizung nicht im Zuluftkanal befindet und die Klappe bei Heizbedarf nicht geöffnet werden soll, müssen Sie die Maximalbegrenzung so einstellen, dass sie gleich dem Grundvolumenstrom ist.

Umschaltfunktion

RC-DFO hat einen Change-Over-Eingang, der den Stellantrieb an UO1 je nach Bedarf automatisch auf Heizen oder Kühlen umstellt. An den Eingang kann ein Fühler vom Typ PT1000 angeschlossen und so montiert werden, dass von ihm die Vorlauftemperatur des Fan-Coils gemessen wird.

Die Ausgangsfunktion wird auf Heizen gestellt, wenn die Vorlauftemperatur 22 °C (WE) über-, und auf Kühlen, wenn sie 18 °C (WE) unterschreitet.

Alternativ kann ein potentialfreier Kontakt verwendet werden. Ist der Kontakt geöffnet, arbeitet der Regler mit der Heizfunktion. Bei geschlossenem Kontakt ist die Kühlfunktion aktiv. Um einen zufriedenstellenden Betrieb mit einem Fühler zu gewährleisten, muss das System über kontinuierliche Primärkreislaufzirkulation verfügen. Bei Nichtverwendung der Umschaltfunktion muss der Eingang offen gelassen werden.

Betriebsart

Es gibt fünf verschiedene Betriebsmodi. Das Umschalten zwischen den Modi erfolgt im Gerät.

Standby: Weder Heizen noch Kühlen sind innerhalb des Temperaturintervalls aktiv, welches von den einstellbaren Sollwerten (WE= Heizsollwert -3 °C, Kühlsollwert +3 °C) gebildet wird.

Belegt: Die Raumtemperatur wird nach dem Sollwert Kühlen (WE = 24 °C) oder Sollwert Heizen (WS = 22 °C) geregelt.

Bypass: Der Regler wird durch einen Präsenzmelder oder einen anderen angeschlossenen Kontakt geregelt. Durch Schließen wird der Bypass aktiviert. Die Raumtemperatur wird wie im Betriebsmodus „Belegt“ geregelt. Im Bypass-Modus wird auch die Zwangslüftung geregelt. Die Rückstellung auf den voreingestellten Betriebsmodus erfolgt nach einer bestimmten Zeit (WS = 10 Minuten) oder bei Nicht-Belegung (kein Signal vom Präsenzmelder).

Nicht belegt: Weder Heizen noch Kühlen sind innerhalb des einstellbaren Temperaturintervalls mit konfigurierbaren Min/Max-Begrenzungen (WE Min = 15 °C, Max = 30 °C) aktiv. Dieser Modus wird aktiviert, wenn die Präsenztaste länger als 5 Sekunden gedrückt wird.

Aus: Heizen und Kühlen sind nicht aktiv. Jedoch darf die Raumtemperatur die eingestellte Mindesttemperatur (WE = 8 °C) nicht unterschreiten. Dieser Modus wird bei offenem Fenster aktiviert (oder wenn die Präsenztaste länger als 5 Sekunden gedrückt wird, sofern das im Parametermenü zuvor konfiguriert wurde).

Voreingestellter Betriebsmodus

„Belegt“ ist der voreingestellte Betriebsmodus. Dieser Modus kann im Parametermenü, Parameter 45, auf Standby umgestellt werden.

Präsenzmelder

Um das Umschalten zwischen Standard-Betriebsmodus und Bypass vor Ort zu steuern, wird ein Präsenzmelder angeschlossen.

Sollwert

Im Belegt-Modus arbeitet der Regler mit einem Sollwert für Heizen (WE = 22 °C) oder Kühlen (WE = 24 °C), der mit den Tasten ERHÖHEN oder SENKEN geändert werden kann.

Mit der ERHÖHEN-Taste wird der aktuelle Sollwert in Schritten von 0,5 °C mit jedem Drücken bis zur Höchstgrenze (+3 °C) erhöht. Mit der SENKEN-Taste wird der aktuelle Sollwert in Schritten von 0,5 °C mit jedem Drücken bis zur Höchstgrenze (-3 °C) gesenkt.

Das Umschalten zwischen Heiz- und Kühlsollwert geschieht je nach Heiz- und Kühlbedarf im Regler automatisch.

Auswahl Sollwert-Display, siehe Parameter 74.

Ventilatorregelung

Der RC-DFO besitzt einen Ventilatorschalter mit den folgenden Positionen:

AUTO	Automatische Regelung der Ventilatorstufe, um die gewünschte Raumtemperatur zu halten.
0	Ventilator abgeschaltet.
I	Niedrigste Stufe, manuelle Einstellung.
II	Mittlere Stufe, manuelle Einstellung.
III	Höchste Stufe, manuelle Einstellung.

Frostschutz

Unabhängig vom Betriebsmodus wird die Heizregelung zwangseingeschaltet, sobald die Raumtemperatur unter 8 °C (WS) fällt. Wenn die Temperatur wieder über 8 °C liegt, wird automatisch zurück in den Normalbetrieb geschaltet.

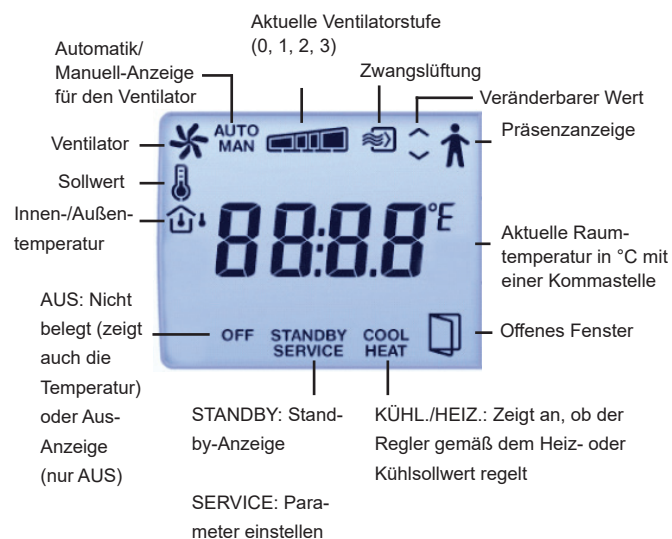
Kondensationsmelder

Bei Kondensation wird die Kühlregelung blockiert. Wenn keine Kondensation mehr vorhanden ist, wird automatisch zurück in den Normalbetrieb geschaltet.

Benutzung des Displays

Anzeigen

Im Display erscheinen folgende Anzeigen:



Tasten

Der RC-DFO hat folgende Tasten:

- **Präsenztaste**
Wird die Präsenztaste hingegen länger als 5 Sekunden gedrückt, schaltet der Regler unabhängig vom aktuellen Betriebsmodus in den Betriebsmodus Aus/Nicht belegt um. Welcher Betriebsmodus beim Ausschalten aktiviert werden soll, Aus oder Nicht belegt, kann über das Display konfiguriert werden. Die Werkseinstellung ist, dass Nicht belegt aktiviert ist.
Wenn die Präsenztaste kürzer als 5 Sekunden gedrückt wird, während der Regler ausgeschaltet oder im Standard-Betriebsmodus ist, schaltet der Regler in den Betriebsmodus Bypass um. Wenn die Präsenztaste kürzer als 5 Sekunden gedrückt wird, während der Regler im Bypass-Modus ist, schaltet er in den Standard-Betriebsmodus zurück. Der Zeitraum, den der Regler sonst vor Umschalten im Bypass-Modus bleibt, kann eingestellt werden (WE = 2 Stunden).
- **ERHÖHEN-Taste**
- **SENKEN-Taste**

Parameter einstellen

Parameter ändern

Im Parametermenü können verschiedene Parameter eingestellt werden. Die Parameterliste wird aufgerufen, indem die ERHÖHEN- und SENKEN-TASTE ca. 5 Sekunden lang und danach zweimal die ERHÖHEN-Taste gedrückt wird, bis SERVICE im Display erscheint. Im Display erscheint zuerst nur Parameternummer 1. Mithilfe der ERHÖHEN- und SENKEN-Tasten kann zwischen den Parametern geblättert werden.

Wenn der gewünschte Parameter erscheint, Präsenztaste zum Auswählen drücken. Anstatt der Parameter-Nummer erscheint die gegenwärtige Einstellung (Wert). Der Wert kann mit den ERHÖHEN- und SENKEN-Tasten geändert werden. Wenn eine der Tasten gedrückt gehalten wird, wird der Wert nach und nach erhöht oder gesenkt, zuerst langsam, und danach in 3er- und 4er-Schritten alle 2 bis 3 Sekunden.

Bestätigen/Rückstellen

Drücken Sie erneut die Präsenztaste, um einen Parameter zu bestätigen und zu speichern. Im Display wird wieder die Parameternummer angezeigt. Drücken Sie die ERHÖHEN und SENKEN-Taste kurz gleichzeitig, um zum Ausgangswert zurückzukommen, d.h. der Wert, bevor er geändert wurde. Der Ausgangswert wird wieder im Display angezeigt.

Rückkehr zum normalen Display

Wenn ein Menü aufgerufen wurde, erscheint die normale Displayanzeige automatisch wieder nach ca. einer Minute oder bei gleichzeitigem Drücken der ERHÖHEN- und SENKEN-Taste.

Am Ende der Liste, nach dem letzten Parameter, steht „Exit“. Die Parameterliste kann ebenfalls verlassen werden, indem die Präsenztaste bei „Exit“ gedrückt wird. Durch Drücken der ERHÖHEN-Taste wird zum ersten, und mit der SENKEN-Taste zum letzten Parameter geblättert.

Parameternummer

Folgende Parameter können im Parametermenü geändert werden:

Parameter-nummer	Beschreibung	WE
1	Basissollwert Heizen	22 °C
2	Basissollwert Kühlen	24 °C
3	Neutrale Zone bei Standby. SW Heizen = Basis-SW Heizen - 3. SW Kühlen = Basis-SW Kühlen + 3.	3 °C
4	Sollwert Heizen bei Nicht belegt	15 °C
5	Sollwert Kühlen bei Nicht belegt	30 °C
6	Sollwert Frostschutz	8 °C
7	P-Band für Raumregler	10 °C
8	I-Zeit (s) für Raumregler	300 s

9	Liegt die Temperatur am analogen Umschalteingang unterhalb dieser Temperatur, wird die Regelung Kühlen aktiviert	18
10	Liegt die Temperatur am analogen Umschalteingang über dieser Temperatur, wird die Regelung Heizen aktiviert	22
11	Regelmodi: 0 = Heizen, 1 = Heizen/Heizen, 2 = Heizen oder Kühlen über Change-Over, 3 = Heizen/Kühlen, 4 = Heizen/Kühlen mit VAV-Regelung und Zwangslüftung, 5 = Heizen/Kühlen mit VAV-Regelung, 6 = Kühlen, 7 = Kühlen/Kühlen	3
12	Dauer Bypass-Betrieb	120 Min
13	Ausschaltverzögerung bei Belegt/Nicht belegt	10 Min
14	Einschaltverzögerung bei Belegt	0 Min
15	Art des an AI1 angeschlossenen Fühlers: 0 = Interner Fühler, 1 = Externer Raumfühler	0
16	Art des an UI1 angeschlossenen Fühlers: 0 = inaktiv, 1 = Change-Over digital, 2 = Change-Over analog	2
18	Art des an DI2 angeschlossenen Fühlers: 1 = Fensterkontakt, 2 = Kondensationsfühler	2
20	Funktion des Signals an UO1: 0 = Inaktiv, 1 = Thermischer Stellantrieb Heizen, 2 = Inaktiv, 3 = Stellantrieb Heizen 0...10V, 4 = Inaktiv	3
21	Funktion des Signals an UO2: 0 = Inaktiv, 1 = Inaktiv, 2 = Thermischer Kühlstellantrieb, 3 = Keiner, 4 = Kühlstellantrieb 0...10V	4
29	Stellsignal für Heizstellantrieb: 0 = 0...10 V, 1 = 2...10 V, 2 = 10...2 V, 3 = 10...0 V	0
30	Stellsignal für Kühlstellantrieb: 0 = 0...10 V, 1 = 2...10 V, 2 = 10...2 V, 3 = 10...0 V	0
31	Pulsdauer für Heizstellantrieb mit thermischem Stellantrieb	60 s
32	Pulsdauer für Kühlstellantrieb mit thermischem Stellantrieb	60 s
33-35	<i>Keine Funktion für dieses Modell</i>	
36	Intervall (in Stunden) für Blockierschutz Heizventil	23

37	Intervall (in Stunden) für Blockierschutz Kühlventil	23
42	Wählen Sie, ob Sollwert oder Istwert im Display angezeigt wird: 0 = Sollwert, 1 = Sollwert Heizen, 2 = Sollwert Kühlen, 3 = Mittelwert Sollwert Heizen/Kühlen, 4 = Nur Sollwertanpassung	0
43	Max. Sollwertanpassung nach oben	3 °C
44	Max. Sollwertanpassung nach unten	3 °C
45	Voreingestellter Betriebsmodus: 1 = Nicht belegt, 2 = Standby, 3 = Belegt. Zwangslüftung ist im Belegt-Modus nicht eingestellt	3
46	Betriebsmodus nach Drücken der Präsenztaste für 5 Sek: 0 = Aus, 1 = Nicht belegt. Zwangslüftung ist im Belegt-Modus nicht eingestellt.	1
47	<i>Keine Funktion für dieses Modell</i>	
48	Mindestzuluftrate am Kühlausgang mit Regelmodus Heizen/Kühlen bei VAV-Regelung	20
49	Max. Zuluftrate am Kühlausgang mit Regelmodus Heizen/Kühlen bei VAV-Regelung und aktivierter Heizregelung	0
50	Konfiguration Ventilatorregelung: 0 = Keine Ansteuerung, 1 = Ansteuerung in Abhängigkeit des Heizbedarfs, 2 = Ansteuerung in Abhängigkeit des Kühlbedarfs, 3 = Ansteuerung in Abhängigkeit des Heiz- & Kühlbedarfs	3
51	Regelsignal in % für Start Ventilatorstufe 1 bei Regelung Heizen oder Kühlen	20
52	Regelsignal in % für Start Ventilatorstufe 2	60
53	Regelsignal in % für Start Ventilatorstufe 3	100
54	Hysterese für Ein-/Ausschalten der Ventilatorstufen	5
55	Anzahl Ventilatorstufen	3
56	Fühlerkorrektur an AI1	0 °C
57	Fühlerkorrektur an UI1	0 °C
58	Temperaturkorrektur am eingebauten Raumfühler	0 °C
59	Filterwert für analoge Temperatureingänge	0,2
60	NO/NG Digitaleingang 1: 0 = NO (Normal offen), 1 = NG (Normal geschlossen)	0

61	NO/NG Digitaleingang 2: 0 = NO (Normal offen), 1 = NG (Normal geschlossen)	1
62	NO/NG Universaleingang 1: 0 = NO (Normal offen), 1 = NG (Normal geschlossen)	0
63	Hand/Automatik Stellsignal Heizen: 0 = Aus, 1 = Hand, 2 = Auto	2
64	Hand/Automatik Stellsignal Kühlen: 0 = Aus, 1 = Hand, 2 = Auto	2
65	Hand/Automatik Zwangslüftung: 0 = Aus, 1 = Ein, 2 = Auto. Kann z. B. von einem zentralen System aus für z. B. Nachtkühlen aktiviert werden	2
66	Hand/Automatik-Regelung Change-Over-Modus: 0 = Regelung Heizen, 1 = Regelung Kühlen, 2 = Automatische Change-Over-Funktion, je nach analogem Temperaturfühler oder Digitaleingang	2
67	Ausgangssignal Heizen in Handbetrieb	0
68	Ausgangssignal Kühlen in Handbetrieb	0
69-72	<i>Keine Funktion für dieses Modell</i>	
73	Auswahl Heizausgangssignal (NO/NG): 0 = NG, 1 = NO	0
74	Anzeige während Sollwertanpassung: 0 = Im Display wird die Anpassung angezeigt. 1 = Im Display wird der aktive SW+Anpassung angezeigt. HEIZEN oder KÜHLEN erscheint, je nachdem, ob der Regler zum Zeitpunkt der Eingabe nach Heiz- oder Kühlsollwert regelt. 2 = Im Display wird SW Heizen+Anpassung angezeigt. 3 = Im Display wird SW Kühlen+Anpassung angezeigt.	0



Dieses Produkt trägt das CE-Zeichen.
Mehr Information können Sie auf www.regincontrols.de finden.

Kontakt

Regin Controls Deutschland GmbH
Tel: +49 30 77 99 40, Fax: +49 30 77 99 479
www.regincontrols.de, info@regincontrols.de