



OM...

Quarter turn valve actuators

90...400 Nm quarter turn valve actuators for control of Regin's BW2 valves (DN200).

- ✓ Simple direct mounting
- ✓ Manual override
- ✓ High functional reliability
- ✓ Protection class IP67
- ✓ 24 V AC/DC or 230 V AC

Function

The actuators are used to control butterfly valves with either 2-point control (on/off), 3-point control or 0-10 V signals.

Manual override

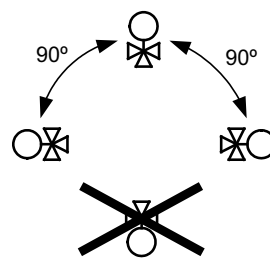
Clutchless manual override makes manual operation possible without any lever, clutch or brake during power outages.

When the electric motor is in operation, the handwheel won't rotate for personal safety purpose.

Installation

Simple direct mounting on the rotary valve with a mounting flange. The mounting position can be selected in 90° steps.

The valve and actuator should never be mounted at an angle of more than 90°.



HEAD OFFICE SWEDEN

Phone: +46 31 720 02 00

Web: www.regincontrols.com

E-mail: info@regincontrols.com

OM...

— | —

Technical data

Manual override	Hand-wheel
Ambient temperature	-30...+65 °C
Ambient humidity	30...95 %RH
Protection class	IP67
Motor insulation class	F
Working angle	0...90°
Duty cycle	30%



This product carries the CE-mark. More information is available at www.regincontrols.com.

Models

Article	Supply voltage	Control signal	Max torque	Speed	Power	Mounting flange	Weight
OM2-24	24 V AC, 50/60 Hz	on-off (open-close) / 3-point	90 Nm	15 s / 90°	40 W	F07	11 kg
OM2-24A	24 V AC/DC, 50/60 Hz	0...10 V	90 Nm	15 s / 90°	40 W	F07	11 kg
OM2-230	230 V AC, 50/60 Hz	on-off (open-close) / 3-point	90 Nm	15 s / 90°	40 W	F07	11 kg
OM3-24	24 V AC, 50/60 Hz	on-off (open-close) / 3-point	150 Nm	22 s / 90°	40 W	F07	11 kg
OM3-24A	24 V AC/DC, 50/60 Hz	0...10 V	150 Nm	22 s / 90°	40 W	F07	11 kg
OM3-230	230 V AC, 50/60 Hz	on-off (open-close) / 3-point	150 Nm	22 s / 90°	40 W	F07	11 kg
OM4-24	24 V AC, 50/60 Hz	on-off (open-close) / 3-point	400 Nm	16 s / 90°	80 W	F10	20 kg
OM4-24A	24 V AC/DC, 50/60 Hz	0...10 V	400 Nm	16 s / 90°	80 W	F10	20 kg
OM4-230	230 V AC, 50/60 Hz	on-off (open-close) / 3-point	400 Nm	16 s / 90°	80 W	F10	20 kg

Accessories

Article	Description
VAR-OM2	Adapter 22 mm / 11 mm, for use with butterfly valve BW2, DN80...DN100.
VAR-OM3	Adapter 22 mm / 14 mm, for use with butterfly valve BW2, DN125...DN150.
VAR-OM4	Adapter 36 mm / 17 mm, for use with butterfly valve BW2, DN200.

HEAD OFFICE SWEDEN

Phone: +46 31 720 02 00

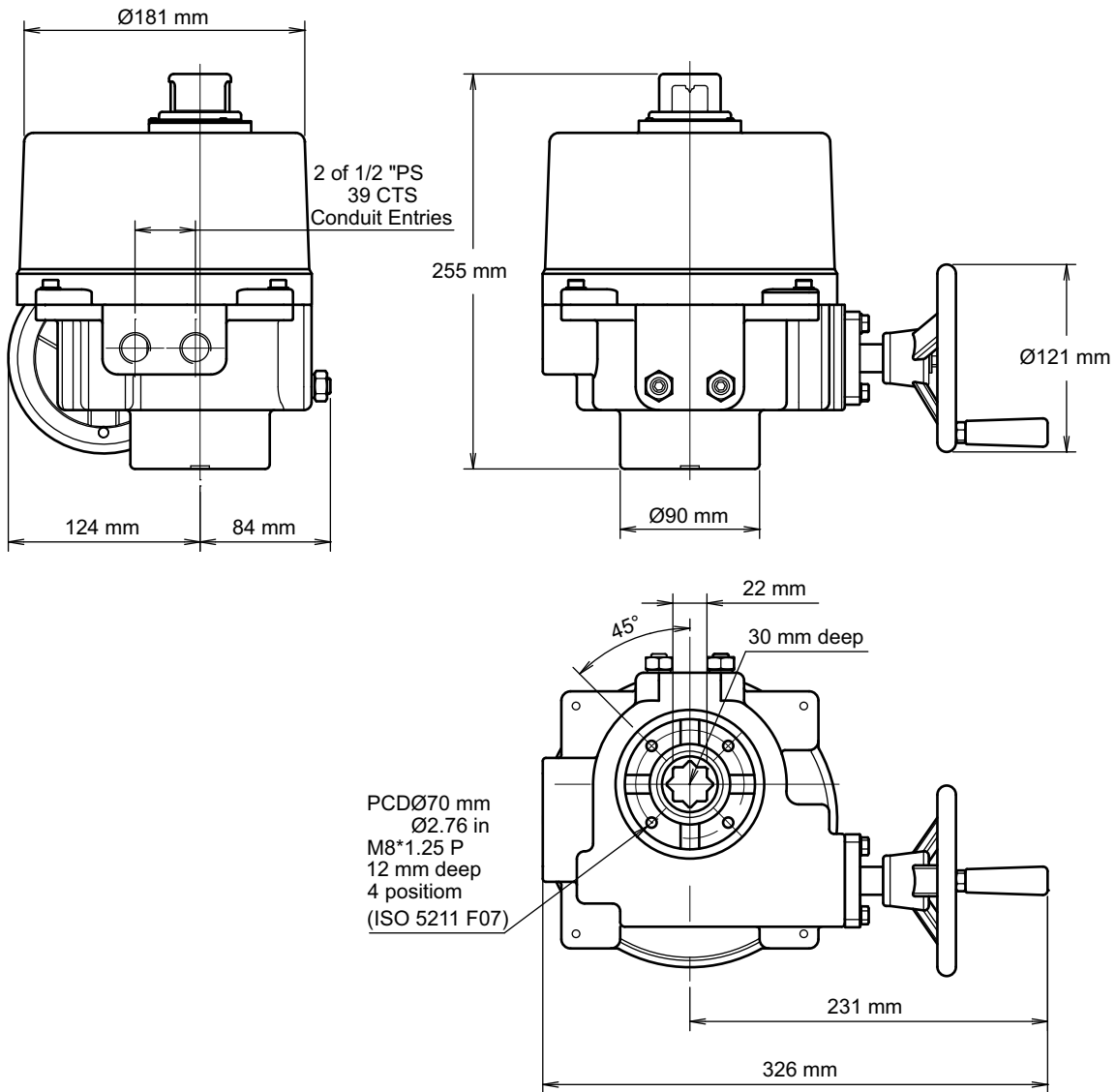
Web: www.regincontrols.com

E-mail: info@regincontrols.com

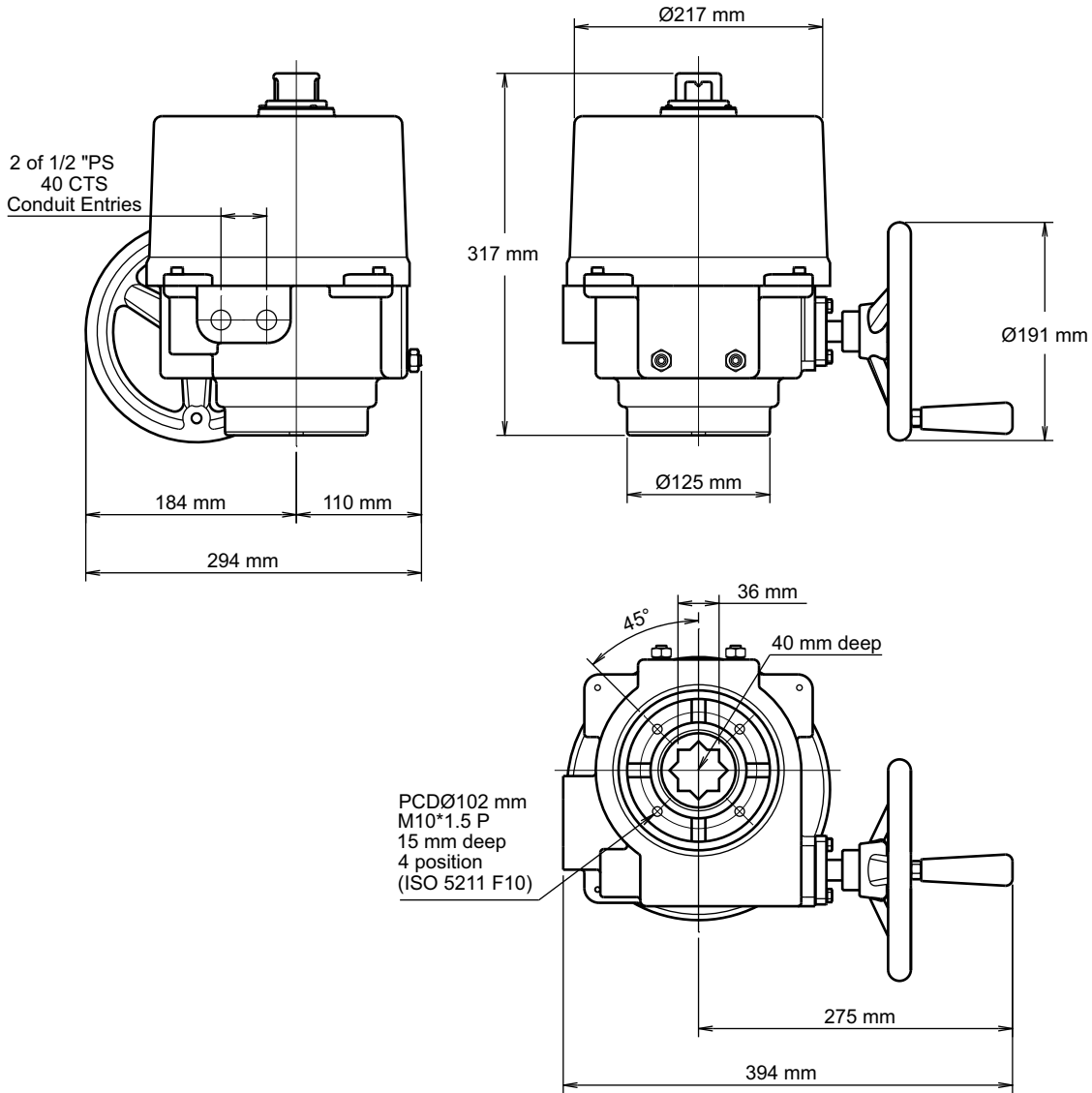
OM...

Dimensions

OM2..., OM3...

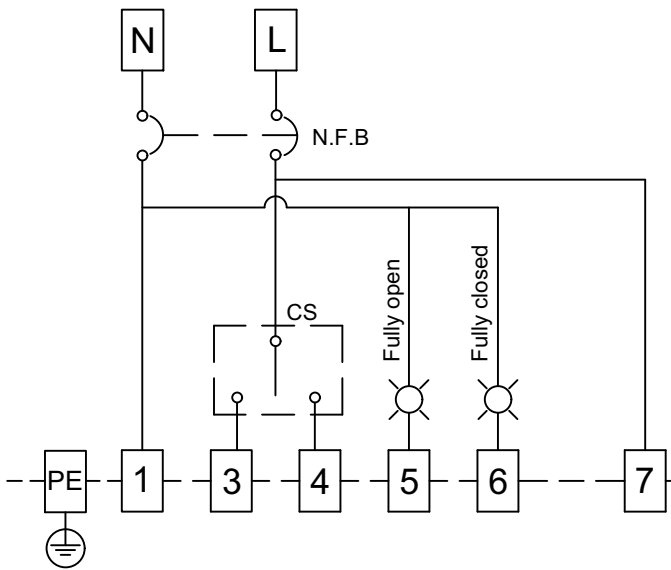


OM4...

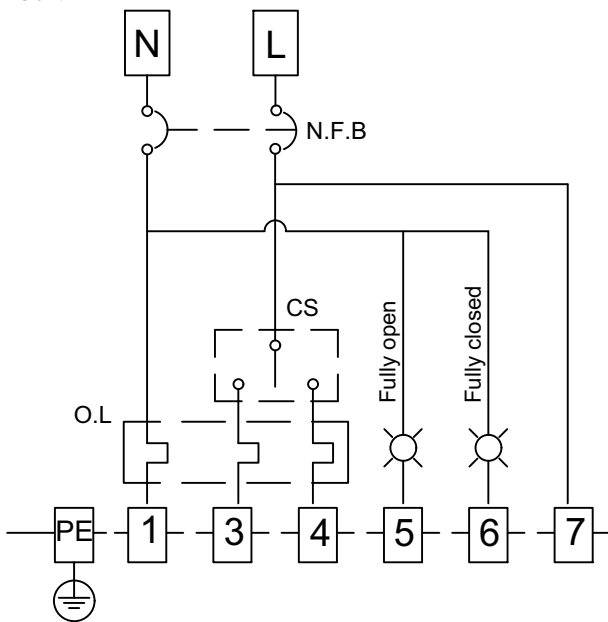


Wiring

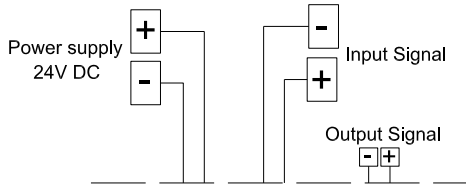
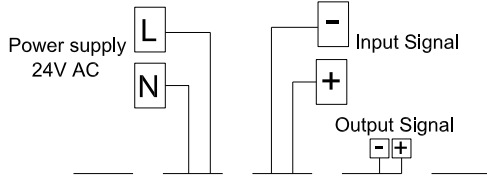
24 V AC



230 V



24 V AC/DC



Product documentation

All documentation can be downloaded from www.regincontrols.com.