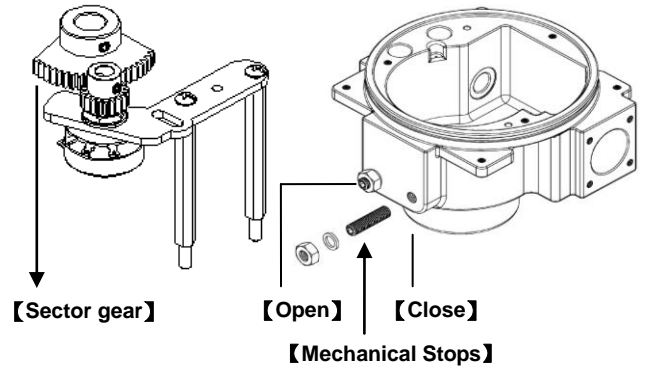


# Operating Instruction

The quarter-turn actuator is provided with a limiting of manual rotation device to avoid over-travel with the hand-wheel. Please follow below adjusting procedures carefully to avoid the damage of the mechanical stops.

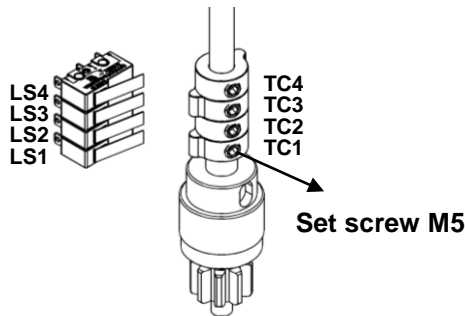
## Mechanical Stops Adjustment **【OM-2~13】**

1. Turn power off then loosen locknut and unwind it a few turns.
2. If actuator installed with VR kit, loosen the set screw on the sector gear.
3. Use manual override to turn the actuator to desire limit position.
4. If actuator installed with VR kit, rotate sector gear clockwise to the end. Then tighten set screw.
5. Tighten the mechanical stop screw until it reaches the shaft, then reverse one cycle.
6. Tighten locknut and check that the electrical limit switches can still be reached.



## Travel Switches Adjustment

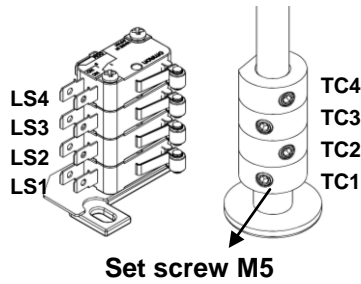
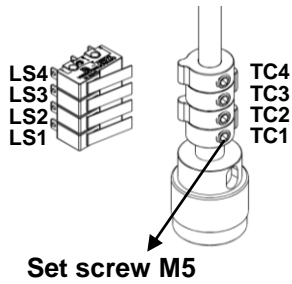
### **【OM-A, OM-A-M】**



TC4 Synchronous turn with TC2 (optional)  
 TC3 Synchronous turn with TC1 (optional)  
 TC2 "CLOSE" ⤴ Clockwise : increase closing degree to fully closed.  
 ⤵ Counter Clockwise : decrease closing degree.  
 TC1 "OPEN" ⤴ Clockwise : decrease opening degree.  
 ⤵ Counter Clockwise : increase opening degree to

### **【OM-1】**

### **【BM-2, OM-2~13, OM-F, OM-G】**



TC4 Synchronous turn with TC2 (optional)  
 TC3 Synchronous turn with TC1 (optional)  
 TC2 "CLOSE" ⤴ Clockwise : decrease closing degree.  
 ⤵ Counter Clockwise : increase closing degree to fully closed.  
 TC1 "OPEN" ⤴ Clockwise : increase opening degree to fully open.  
 ⤵ Counter Clockwise : decrease opening degree.

## Important Notices & Maintenance

1. Check for correct voltage prior to wiring.
2. Turn power off before servicing or for maintenance purpose.
3. Use sealant to seal conduit connections after wiring to prevent dusting or water contamination.
4. The angle of electric actuator installation must be between 0~180 degree. Do not install upside down or below the horizontal.
5. When more than one electric actuator needed to operate simultaneously, please connect with the individual cables or install the coupling board.
6. Not intended for vacuum spaces and avoid installing near explosive atmospheres.
7. Actuators should be placed at clean and dry place for storage, and protected with outer carton from being affected by great temperature difference or serious vibration.
8. To avoid functional failure caused by statics, do not touch any components on the PCB with metal tools or bare hands.
9. Please connect the ground wire to PE inside the electric actuator.
10. The warranty period of our products is one year.