

IRCW

Wireless ceiling mounted motion detector



GO WIRELESS READY STEADY GO

IRCW is a high quality ceiling mounted motion detector within the Regin Go Wireless concept. The detector maintains a stable and highly sensitive level of detection regardless of changes in the environment. It has a communication range of up to 300 meters in open space.

- ✓ 360° detection
- ✓ Covers an area up to 8 meters in diameter
- ✓ Discreet housing
- ✓ Easy to install

Application

IRCW detects motion within an area and sends signals to a receiver to activate for example ventilation or heating. It is designed to work with a Regin wireless receiver with Modbus communication.

The detector comes in a discreet housing and has a tamper-proof design. There is a clearly visible LED indicator that indicates low battery.

Function

The detection is stable and highly sensitive regardless of changes in the environment since it is controlled using advanced Adaptive Digital Signal Processing (ADSP) algorithms.

In normal operation mode the detector will send a signal to the receiver every 30-50 minutes to self test. In order to save battery, it only communicates with the receiver when necessary. If there is a continuous movement in the detection area, the detector will only transmit the information to the receiver once. After that the detector regularly verifies if the state has changed. As long as

nothing changes, no communication takes place between the detector and the receiver.

Installation

The detector is designed for ceiling mounting and is easy to install with a twist-on cover.

The detector has a 360° detection range, and when mounted on a ceiling the detection area diameter can be up to 8 meters. For a detection range of 8 meters, it should be mounted at a height of 4 meters. At a mounting height at 2.7 meters, the detection range is 6 meters. See *Fig. 1. under Detection area.*

HEAD OFFICE SWEDEN

Phone: +46 31 720 02 00
 Web: www.regincontrols.com
 E-mail: info@regincontrols.com

IRCW

— | —

REGIN
 THE CHALLENGER

Technical data

Supply voltage	CR123A 3V lithium battery x 1 (included at delivery)
Battery life	6 years ¹
Frequency	868 MHz
Range, frequency	Over 300 meters in unobstructed space
Ambient temperature	-10...+45 °C
Ambient humidity	Max. 85 % RH, non-condensing
Protection class	IP20
Dimensions, external (WxHxD)	Ø 106 mm x 30,3 mm
Mounting position	2.7 ...4 m above the floor
Range, detection	Ø 6...8 m
Weight, incl. packaging	0.16 kg

1. Battery life is calculated with an average of 20 activations per day



This product carries the CE-mark. More information is available at www.regincontrols.com.

Accessories

Article	Description
RCW-M32	Wireless receiver with Modbus communication, 32 sensors and detectors
RCW-M	Wireless receiver with Modbus communication, 16 sensors and detectors

Detection area

The detection diameter is approximately 6 meters when the detector is mounted on a height of 2.7 meters, and approximately 8 meters when mounted on a height of 4 meters.

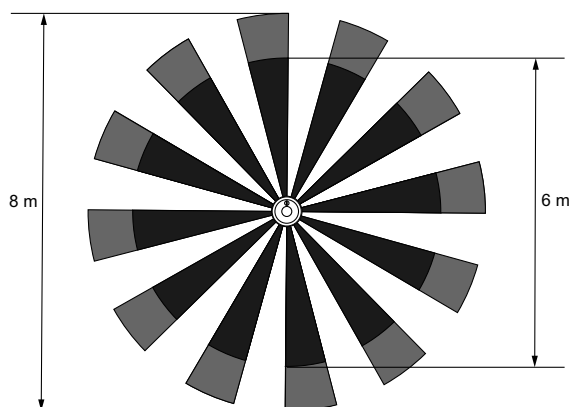
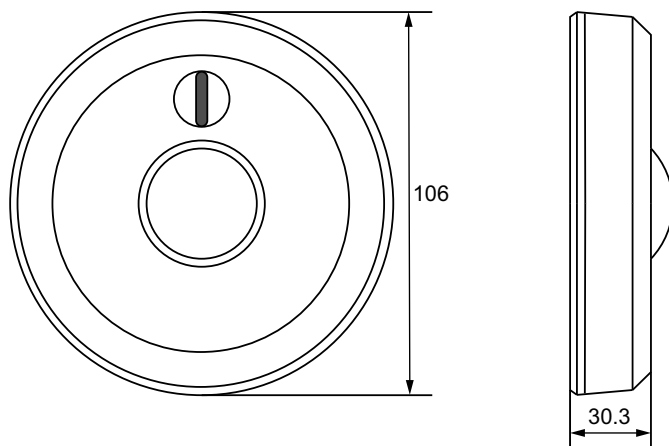


Fig. 1 Detection area at a height of 2.7 meters and 4 meters

Dimensions



[mm]

Documentation

All documentation can be downloaded from www.regincontrols.com.