



IO-RU-10

Distributed I/O:s

Small distributed I/O module for expanding Regin's programmable controllers EXOflex, EXOcompact and EXOdos. Can be addressed and communicate via EXOline.

- ✓ Cost-efficient I/O expansion for EXO controllers
- ✓ I/O distribution via RS485
- ✓ Off-line functions in case of communication loss
- ✓ Can handle pulses on inputs and outputs
- ✓ Built-in temperature sensor
- ✓ Special condensation input available

Function

IO-RU-10 enables quick and easy expansion of a system by 4 additional inputs and 6 additional outputs per controller. Communication takes place via EXOline.

Inputs

The I/O module has one analogue and one universal input, which both support PT1000. One of the two digital inputs can be used as a condensation input by configuring a DIP switch. One additional analogue input is available and is used for the internal temperature sensor.

Outputs

All digital outputs can handle pulses, including the universal outputs when set as digital.

Configuration

IO-RU-10 must be configured by a competent systems integrator knowledgeable in the use of EXOdesigner. It is configured either by adapting the standard I/O function or by writing new program code using EXOL.

DIP switches

In IO-RU-10, only DIP switch 4 has any function. For all other DIP switches, the position of the switch has no effect on the functionality of the unit.

Position	SW1-3	SW 4	SW5-7
ON	Not used	Digital input (DI2)	Not used
OFF	Not used	Condensation detector (CI)	Not used

Connections

Terminal	Designation	Operation
10	G	Supply voltage 24 V AC
11	G0	Supply voltage 0 V
12	DO1	24 V AC output, max 0.5 A. A 24 V AC relay is connected between terminal 12 and terminal 20, GDO.
13	DO2	224 V AC output, max 0.5 A. A 24 V AC relay is connected between terminal 13 and terminal 20, GDO.
14	DO3	24 V AC output, max 0.5 A. A 24 V AC relay is connected between terminal 14 and terminal 20, GDO.
20	GDO	24 V AC out common for DO. Internally connected to terminal 10, G
21	G0	0 V common for UO. Internally connected to terminal 11, G0
22	DO4	24 V AC output, max 0.5 A. A 24 V AC actuator is connected between terminal 22 and terminal 20, GDO.
23	UO1	0...10 V DC, max 5 mA (FS). The 0...10 V signal terminal is connected to terminal 23 and its supply terminals to terminals 10 and 11. Make sure that the reference pole G0 is connected to the correct terminal on connected device. <i>alternatively</i> 24 V AC, max 2.0 A. The output is connected between terminals 23 and 20, GDO.
24	UO2	0...10 V DC, max 5 mA (FS). The 0...10 V signal terminal is connected to terminal 24 and its supply terminals to terminals 10 and 11. Make sure that the reference pole G0 is connected to the correct terminal on connected device. <i>alternatively</i> 24 V AC, max 2.0 A. The output is connected between terminals 24 and 20, GDO.
30	AI1	For an external PT1000 sensor. Measuring range 0...50°C. The sensor is connected between terminals 30 and 41, AGnd.
31	UI1	For an external PT1000 sensor. Measuring range: 0...100°C. The sensor is connected between terminals 31 and 41, AGnd. <i>alternatively</i> For a potential-free contact. A potential-free contact is connected between terminals 31 and 40, +C.
32	DI1	A potential-free contact is connected between terminals 32 and 40, +C.
33	DI2/CI	Regin's condensation detector, KG-A/1 (FS). The sensor is connected between terminals 33 and 41, AGnd. <i>alternatively</i> A potential-free contact is connected between terminals 33 and 40, +C.
40	+C	24 V DC out common for DI and UI (with digital function)
41	AGnd	Analogue ground, reference for AI and UI (with analogue function)
42	A	RS485 communication A
43	B	RS485 communication B

Technical data

Supply voltage	24 V AC, 50 Hz
Internal consumption	2.5 VA
Ambient temperature	0...50°C
Storage temperature	-20...+70°C
Ambient humidity	Max. 90 % RH
Protection class	IP20
Communication	RS485
Communication speed	9600 bps
Built-in temp. sensor	NTC type, measuring range 0...50°C, accuracy ±0.5°C at 15...30°C
Material, casing	Polycarbonate (PC)
Weight	110 g
Colour	Signal white RAL 9003

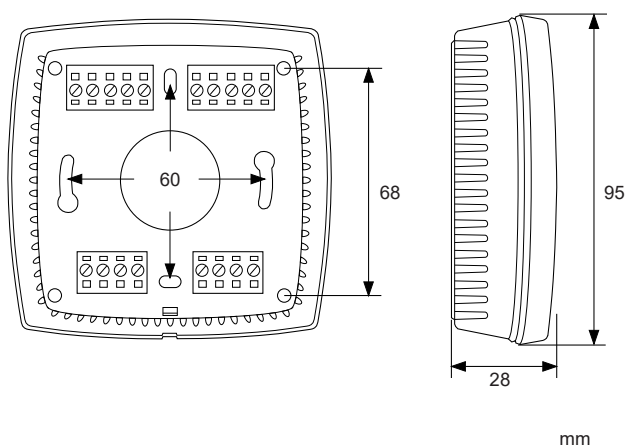
CE

This product carries the CE mark. For more information, see www.regincontrols.com.

Inputs

Inputs	PT1000 sensor, 0...50°C. Suitable sensors are Regin's TG-R5/PT1000, TG-UH/PT1000 and TG-A1/PT1000
Condensation detector	Regin's condensation detector KG-A/1

Dimensions



Product documentation

The manuals can be downloaded from Regin's FTP server. It is intended for our system customers who need to share files with us, e.g. at technical support. Contact one of our sales engineers to get access to the FTP server.