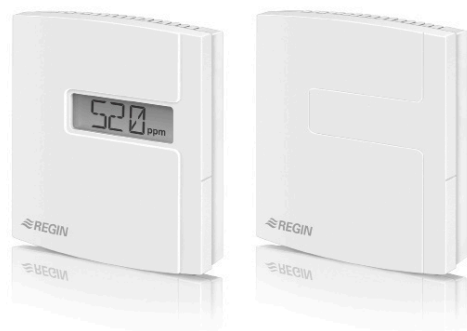


HTRT10A(D)-420

Humidity and temperature transmitters



Wall mounted room transmitters for measuring humidity and temperature in indoor environments.

- ✓ Output signal 4...20 mA
- ✓ With or without display
- ✓ Good long-term stability
- ✓ Humidity range 0...100 % RH
- ✓ Temperature range 0...50°C

Function

The sensor is mounted in the cover-part of the casing. The cover is easy to detach from the back by means of snap-in grips and detachable terminals which makes mounting easy. Furthermore, no cables have to be disconnected, simplifying service and replacement.

Temperature sensor

The transmitter has a built in temperature sensor, which gives output signal 4...20 mA and has a temperature range of 0...50°C.

Relative humidity

The transmitters have a capacitive thin-film element which gives a signal that is proportional to the relative humidity. The measuring signal is converted by the built-in electronics to output signal 4...20 mA (corresponding to 0...100 % RH).

The sensor element has rapid response to changes in humidity, and excellent long-term stability. The element also has good durability in contaminated environments.

Supply voltage

The transmitter uses a supply voltage of max. 28 V DC and min. $11 + (0.02 \times RL)$ V DC. It automatically detects and adapts to the supply voltage connected.

Appearance

The transmitter comes in a discreet white housing.

The display model (D) has a LCD display showing temperature and humidity in an alternating series.

Installation

The transmitter should be mounted in a location with good air circulation where it can be expected to give a representative reading. It can be mounted on a wall box or directly on the wall.

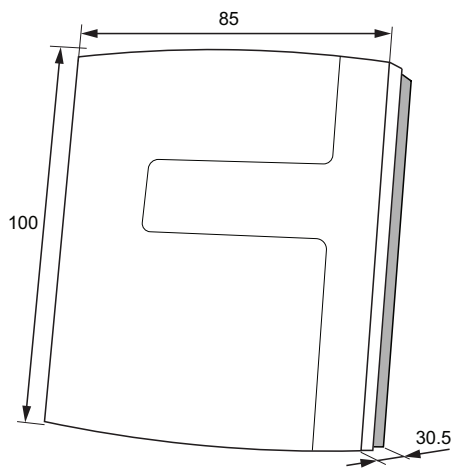
Technical data

Output signal	4...20 mA (2-wire) (T=0...50°C, RH=100 % r.h.)
Supply voltage	Max. 28 V DC, Min. $11+(1.02 \times R_L)$ V DC
Power consumption	1.2 W
DC power supply	Min. 2W
Temperature range	0...50°C
Accuracy, temperature	$\pm 0.5^\circ\text{C}$ at 20 °C
Humidity, working range	0...100 % RH
Accuracy, humidity	± 3 % RH at 20 °C
Protection class	IP30
Dimensions	100 x 85 x 30.5 mm
Colour	Signal white RAL 9003

CE

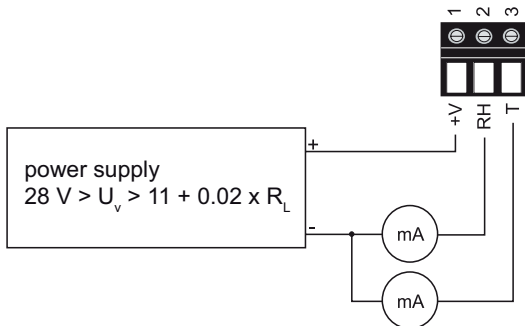
This product carries the CE mark. For more information, see www.regincontrols.com.

Dimensions



Measurements in mm

Wiring



Product documentation

The product documentation can be downloaded from www.regincontrols.com.