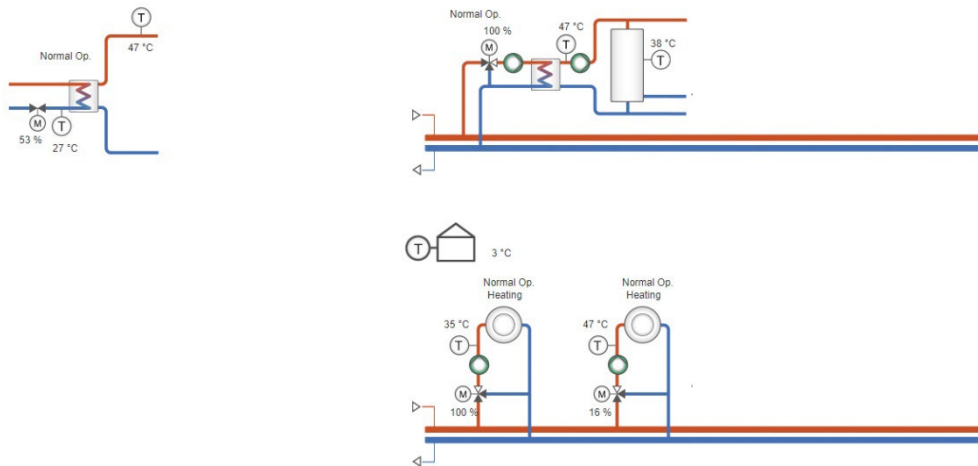


Example 203

Function description: District Heating system (continuous), Hot Water 1 (storage tank + PI-load-supply), mixed Heating system 1 (continuous), mixed Heating system 2 (continuous)



	G	1	G	50	
	G0	2	G0	51	P1 B
	Gnd	3		52	P1 A
	+C	4	+C	53	P1 N
	Gdo	10	G _{Do}	60	P1 E
HS1 pump A	DO1	11	DO1	61	P2 B
HS2 pump A	DO2	12	DO2	62	P2 A
HW1 exch. pump A	DO3	13	DO3	63	P2 N
HW1 tank pump A	DO4	14	DO4		P2 E
	DO5	15	DO5		
	DO6	16	DO6		
	DO7	17	DO7		
	DO7	30	Agnd		Ext D
	Agnd	31	AI1		
Outdoor temperature	AI1	32	AI2	71	DI1
HS1 supply temp.	AI2	33	Agnd	72	DI2
	Agnd	34	AI3	73	DI3
HS2 supply temp.	AI3	35	AI4	74	DI4
HW1 supply temp.	AI4	40	Agnd	75	DI5
	Agnd	41	UI1 :AI5/DI9	76	DI6
HW1 tank middle temp	UI1	42	UI2 :AI6/DI10	77	DI7
DHS supply temp.	UI2	43	Agnd	78	DI8
	Agnd	44	UI3 :AI7/DI11	90	Agnd
DHS primary ret. temp	UI3	45	UI4 :AI8/DI12	91	AO1 HS1 Valve
	UI4			92	AO2 HS2 Valve
				93	AO3 HW1 valve
				94	AO4 DHS valve
	TCP			95	AO5

Terminal connection

Available for: HCA282DW-4, HCA283WM-4, HCA283DWM-4

Application tool - file: 203_HCAxxxxx_HB1S_HWTS_HSco_HSco