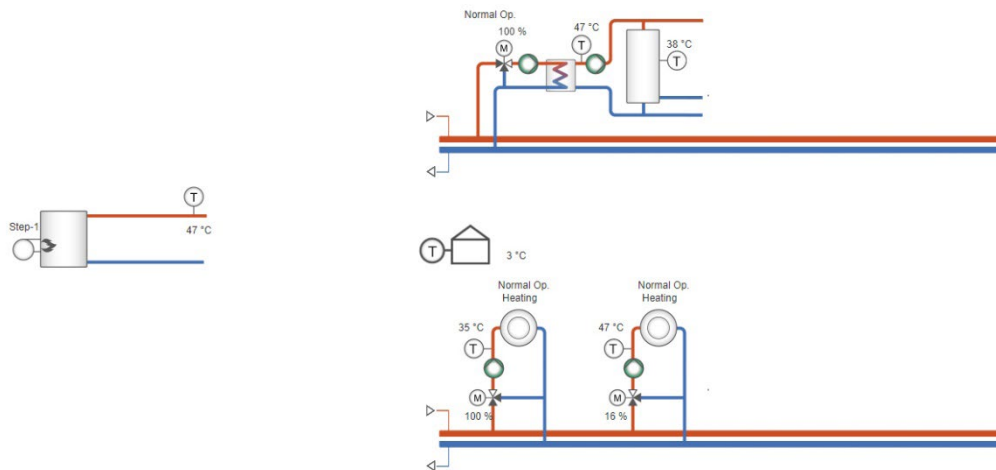


Example 201

Function description: Boiler (1-step + demand), Hot Water 1 (storage tank + PI-load-supply), mixed Heating system 1 (continuous), mixed Heating system 2 (continuous)



	G	1	G	50	
	G0	2	G0	51	P1 B
	Gnd	3		52	P1 A
	+C	4	+C	53	P1 N
	Gdo	10	G _{DO}	54	P1 E
HS1 pump A	DO1	11	DO1	55	P2 B
HS2 pump A	DO2	12	DO2	60	P2 A
HW1 exch. pump A	DO3	13	DO3	61	P2 N
HW1 tank pump A	DO4	14	DO4	62	P2 E
Boiler 1 step 1	DO5	15	DO5	63	
	DO6	16	DO6		
	DO7	17	DO7		
	Agnd	30	Agnd		Ext D
Outdoor temperature	AI1	31	AI1	71	DI1
HS1 supply temp.	AI2	32	AI2	72	DI2
	Agnd	33	Agnd	73	DI3
HS2 supply temp.	AI3	34	AI3	74	DI4
	Agnd	35	AI4	75	DI5
HW1 supply temp.	AI4	40	Agnd	76	DI6
	Agnd	41	UI1 :AI5/DI9	77	DI7
HW1 tank middle temp	UI1	42	UI2 :AI6/DI10	78	DI8
Boiler supply temp.	UI2	43	Agnd	90	Agnd
	Agnd	44	UI3 :AI7/DI11	91	AO1 HS1 Valve
	UI3	45	UI4 :AI8/DI12	92	AO2 HS2 Valve
	UI4			93	AO3 HW1 valve
	TCP			94	AO4 Heat demand
				95	AO5

Terminal connection

Available for: HCA282DW-4, HCA283WM-4, HCA283DWM-4

Application tool - file : 201_HCAxxxxx_HB1S_HWTS_HSco_HSco