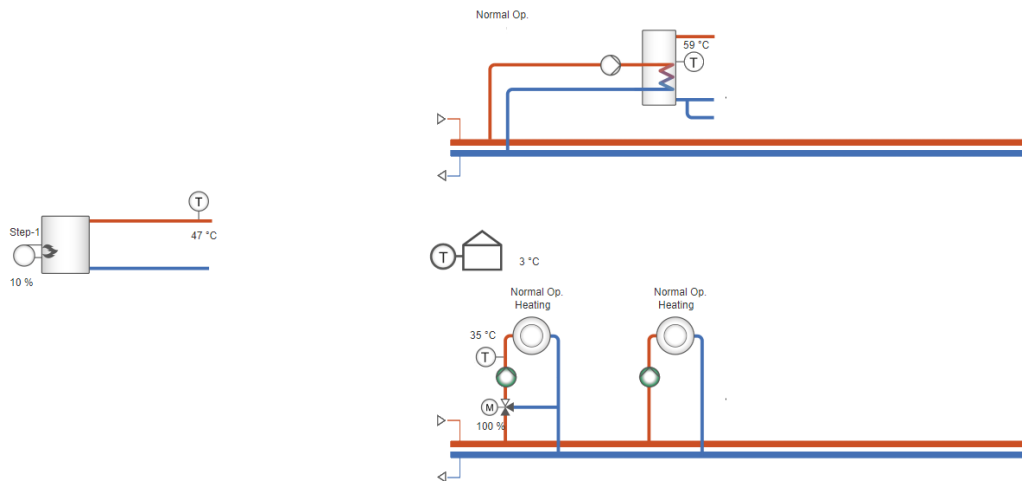


Example 112

Function-description: Boiler (1-step + modulation), Hot Water 1 (storage tank + load pump), mixed Heating system 1 (3-point), unmixed Heating system 2



Outdoor temperature	AI1		N	
HS1 Supply temp.	AI2		L	
	AI3			
HW1 tank middle temp.	AI4			DO7
	UI1			
Boiler supply temp	UI2		DO6	DO6
	UI3		C5-6	
	UI4		DO5	HW1 tank pump A
	DI1			
	DI2		DO4	HS1 Valve decrease
	AO1		C3-4	
Boiler 1 modulation	AO2		DO3	HS1 Valve increase
	Agnd			
	AO3		DO2	HS2 Pump A
	M-B		C1-2	
	M-A		DO1	HS1 Pump A

Terminal connection

Available for: HCV191DW-2, HCV192DW-2, HCV203DWM-2

Application tool - file: 112_HCVxxxxx_Hbmo_HWTP_HS3p_HSpu