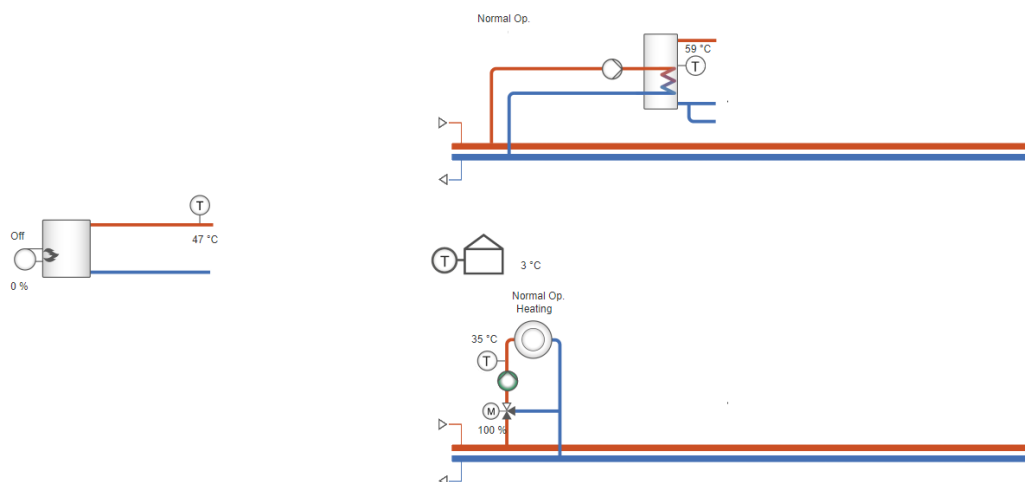


Example 111

Function-description: Boiler (1-step + modulation), Hot Water 1 (storage tank + load pump), mixed Heating system 1 (3-point)



Outdoor temperature	AI1		N			
HS1 Supply temp.	AI2		L			
	AI3					
HW1 tank middle temp.	AI4			DO7	Boiler 1 step 1	
	UI1					
Boiler supply temp	UI2			DO6	DO6	
	UI3				C5-6	
	UI4			DO5	DO5	HW1 tank pump A
	DI1					
	DI2			DO4	DO4	HS1 Valve decrease
	AO1				C3-4	
Boiler 1 modulation	AO2			DO3	DO3	HS1 Valve increase
	Agnd					
	AO3			DO2	DO2	
	M-B				C1-2	
	M-A			DO1	DO1	HS1 Pump A

Terminal connection

Available for: HCV191DW-2, HCV192DW-2, HCV203DWM-2

Application tool - file: 111_HCVxxxxx_Hbmo_HWTP_HS3p