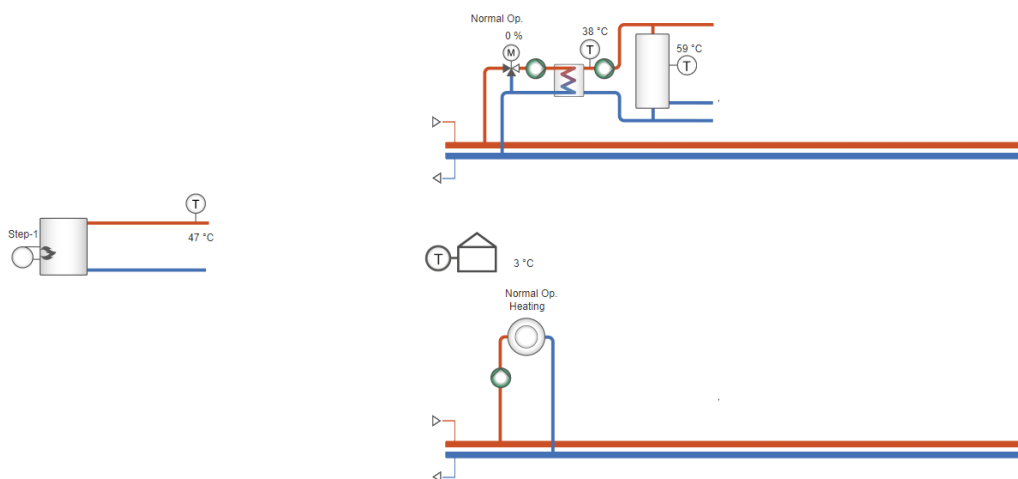


Example 108

Function-description: Boiler (2-step + demand), Hot Water 1 (storage tank + PI-load-supply), unmixed Heating system 1



Outdoor temperature	AI1		N		
	AI2		L		
	AI3				
HW1 tank middle temp.	AI4		DO7	DO7	HW1 tank pump A
HW1 supply temp.	UI1			DO6	Boiler 1 step 2
Boiler supply temp	UI2			C5-6	
	UI3			DO5	Boiler 1 step 1
	UI4				
	DI1			DO4	HW1 valve close
	DI2			C3-4	
Heat demand	AO1			DO3	HW1 valve open
	AO2				
	Agnd			DO2	HW1 exch. pump A
	AO3			C1-2	
	M-B			DO1	HS1 Pump A
	M-A				

Terminal connection

Available for: HCV191DW-2, HCV192DW-2, HCV203DWM-2

Application tool - file : 108_HCVxxxxx_HB2S_HWTS_HSpu