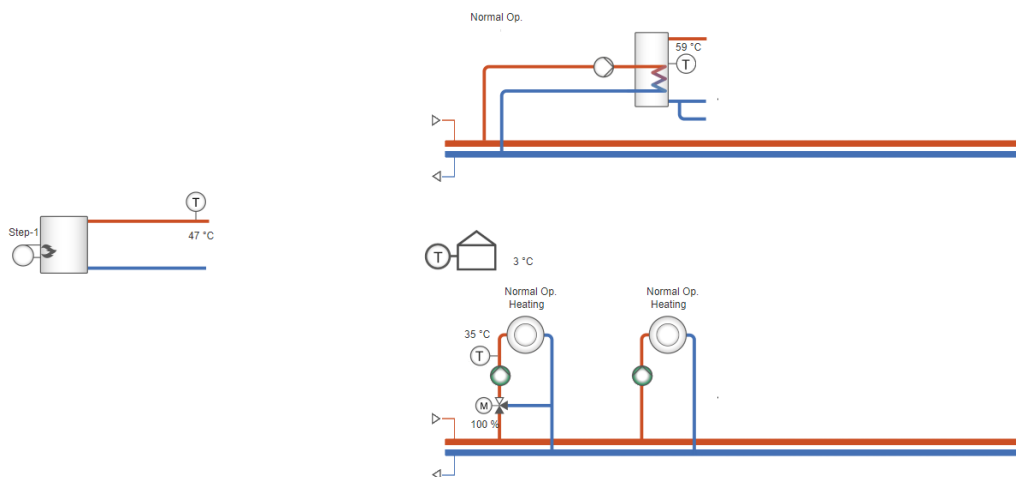


Example 107

Function-description: Boiler (2-step + demand), Hot Water 1 (storage tank + load pump), mixed Heating system 1 (3-point), unmixed Heating system 2



Outdoor temperature	AI1		N		
HS1 supply temp.	AI2		L		
	AI3			C7	
HW1 tank middle temp.	AI4			DO7	HW1 tank pump A
	UI1				
Boiler supply temp	UI2			DO6	Boiler 1 step 2
	UI3			C5-6	
	UI4			DO5	Boiler 1 step 1
	DI1				
	DI2			DO4	HS1 Valve decrease
Heat demand	AO1			C3-4	
	AO2			DO3	HS1 Valve increase
	Agnd				
	AO3			DO2	HS2 Pump A
	M-B			C1-2	
	M-A			DO1	HS1 Pump A

Terminal connection

Available for: HCV191DW-2, HCV192DW-2, HCV203DWM-2

Application tool - file : 107_HCVxxxxx_HB2S_HWTP_HS3p_HSpu