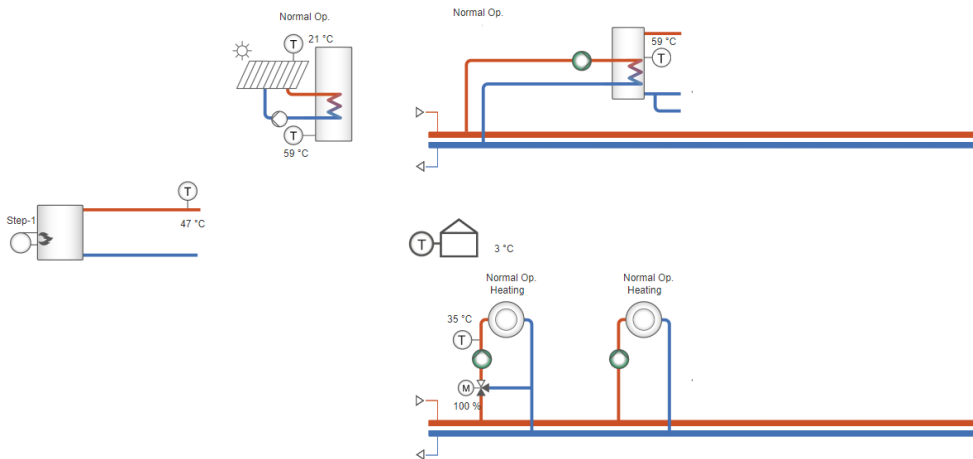


### Example 104

Function-description: Boiler (1-step + demand), Hot Water 1 (storage tank + load pump + solar system), mixed Heating system 1 (3-point), unmixed Heating system 2



Outdoor temperature	AI1		N		
HS1 Supply temp.	AI2		L		
	AI3			C7	
HW1 tank middle temp.	AI4			DO7	Boiler 1 step 1
	UI1				
Boiler supply temp	UI2			DO6	Solar system pump A
	UI3			C5-6	
Solar collector temp.	UI4			DO5	HW1 tank pump A
	DI1				
	DI2			DO4	HS1 valve decrease
Heat demand	AO1			C3-4	
	AO2			DO3	HS1 valve increase
	Agnd				
	AO3			DO2	HS2 Pump A
	M-B			C1-2	
	M-A			DO1	HS1 Pump A

Terminal connection

Available for: HCV191DW-2, HCV192DW-2, HCV203DWM-2

Application tool - file : 104\_HCVxxxxx\_HB1s\_HWTSo\_HS3p\_HSpu