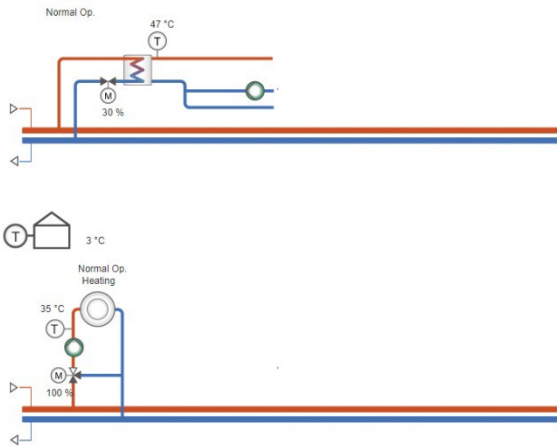


Example 003

Function description: Hot Water 1 (supply), mixed Heating system 1 (continuous)



	G	1	G				
	G0	2	G0				P1 B
	Gnd	3	Gnd				P1 A
	+C	4	+C				P1 N
	Gdo	10	Gdo				P1 E
HS1 pump A	DO1	11	DO1				P2 B
	DO2	12	DO2				P2 A
HW1 circ. pump A	DO3	13	DO3				P2 N
	DO4	14	DO4				P2 E
	DO5	15	DO5				
	DO6	16	DO6				Ext D
	DO7	17	DO7				
	Agnd	30	Agnd				DI1
Outdoor temperature	AI1	31	AI1				DI2
HS1 Supply temp.	AI2	32	AI2				DI3
	Agnd	33	Agnd				DI4
	AI3	34	AI3				DI5
	AI4	35	AI4				DI6
HW1 supply temp.	AI4	40	Agnd				DI7
	Agnd	41	UI1 : AI5/DI9				DI8
	UI1	42	UI2 : AI6/DI10				Agnd
	UI2	43	Agnd				AO1
	Agnd	44	UI3 : AI7/DI11				AO2
	UI3	45	UI4 : AI8/DI12				AO3
	UI4						AO4
	TCP						AO5

Terminal connection

Available for: HCA152W-4, HCA152DW-4, HCA282DW-4, HCA283WM-4, HCA283DWM-4

Application tool - file : 003_HCAxxx_HWSu_HSco