

# DTT(H)4-420

Temperature and humidity measurements in air



*4...20 mA duct transmitter for temperature and humidity measurements in air.*

- ✓ 4...20 mA output
- ✓ IP65
- ✓ Combined sensor elements

## Application

The measurements received from DTT(H)4-420 can be used to control ventilation with high precision and improve the air quality in for example residential and office areas. By increasing the air exchange only when it is necessary, it is possible to minimise energy costs.

## Function

Two different models are available for an optimal adaptation to the application. Both models are calibrated at the factory and do not need to be recalibrated at installation.

## Installation

The transmitters are designed for duct mounting. Cables are simple to connect and the lid is secured with four screws.

## Technical data

<b>Supply voltage</b>	11+(0.02xRL)...30 V DC
<b>Power consumption</b>	< 1 W
<b>Protection class</b>	IP65 (housing)
<b>Ambient humidity</b>	0...95 % RH, non-condensing
<b>Ambient temperature</b>	-20...+50 °C
<b>Storage temperature</b>	-20...+70 °C
<b>Mounting</b>	Duct
<b>Insertion length</b>	60...230 mm
<b>Media</b>	Air, non-combustible and non-aggressive gases
<b>Measuring range, temperature</b>	0...50 °C
<b>Output signal, temperature</b>	4...20 mA (4 mA = 0 °C, 20 mA = 50 °C)
<b>Accuracy, temperature</b>	±1 K at 20 °C
<b>Measuring range, humidity</b>	0...100 % RH
<b>Output signal, humidity</b>	4...20 mA (4 mA = 0 % RH, 20 mA = 100 % RH)
<b>Accuracy, humidity</b>	±3 % RH at 20 °C
<b>Cable gland</b>	1 x M16
<b>Cable connection</b>	Screw terminals max. 0.75 mm <sup>2</sup>
<b>Diameter, probe</b>	12 mm
<b>Dimensions, external (WxHxD)</b>	75 x 266 x 75 mm
<b>Weight (incl. packaging)</b>	0.26 kg



This product carries the CE-mark. More information is available at [www.regincontrols.com](http://www.regincontrols.com).

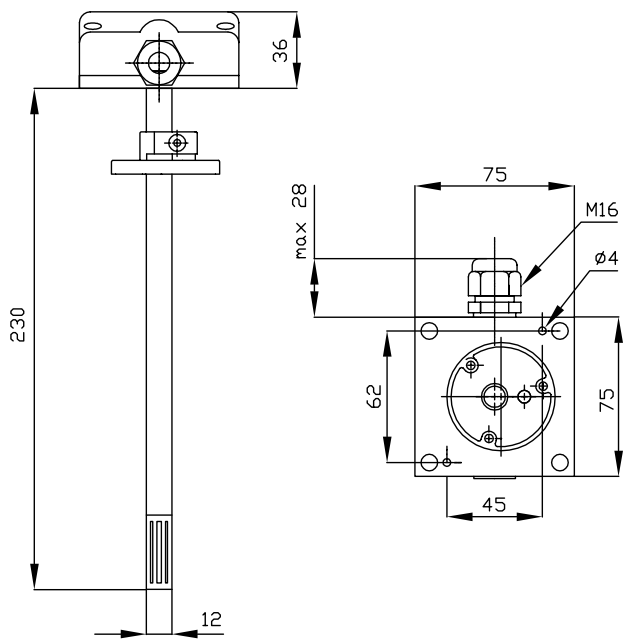
## Material

<b>Material, housing</b>	Polycarbonate (PC)
<b>Material, base</b>	Polycarbonate (PC)
<b>Material, probe</b>	Polycarbonate (PC)

## Models

Article	RH-measurement	Total number of I/Os	Number of AO
DTT4-420	No	1	1
DTTH4-420	Yes	2	2

## Dimensions



[mm]

## Documentation

All documentation can be downloaded from [www.regincontrols.com](http://www.regincontrols.com).