

DR-...

Well for immersion sensors



Well used with TG-IH3 immersion sensors. Available in different lengths.

- ✓ R 1/2" connection, DIN2999
- ✓ Stainless steel, acid-proof
- ✓ Stainless steel
- ✓ Screw locking for TG-IH3

Application

The well is used with an immersion sensor, and is suitable for all environments.

Function

The well is available in different lengths and is used together with TG-IH3 immersion sensor.

Since the well is installed using a threaded connection, it closes tightly against the pipe wall which makes it possible to exchange sensor without any water leakage.

Installation

This product is delivered separately from the immersion sensor. The user needs to install and fasten the well in the pipe, and then mount and secure the sensor with the locking screw on the well. For more information, see the immersion sensor documentation available at www.regincontrols.com.

HEAD OFFICE SWEDEN

Phone: +46 31 720 02 00

Web: www.regincontrols.com

E-mail: info@regincontrols.com

DR-...

— 1 (3) —

Technical data

Connection, well	R1/2"
Diameter, well	8 mm
Pressure rating	PN25

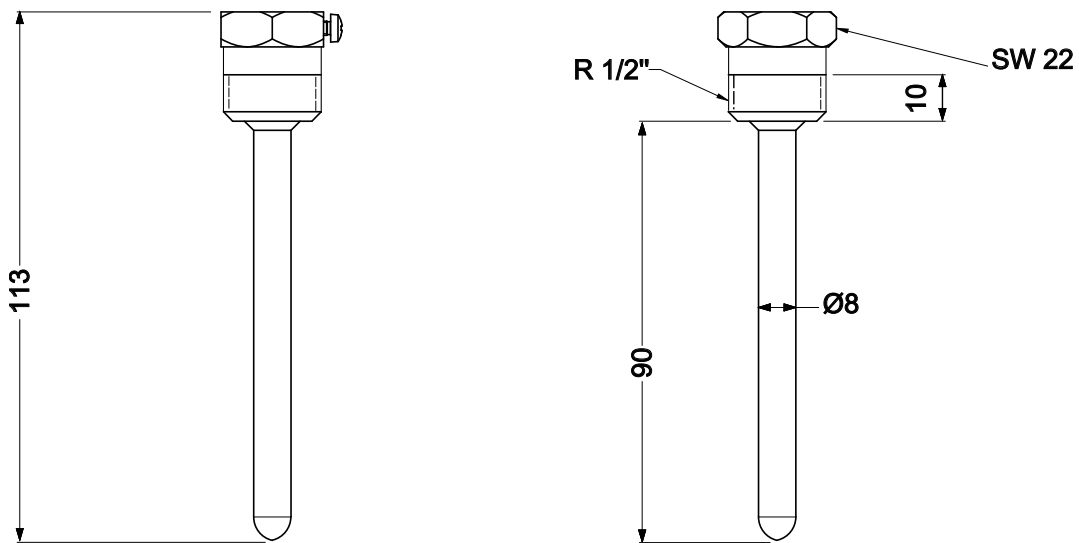


This product carries the CE-mark. More information is available at www.regincontrols.com.

Models

Article	Insertion length	Material	Description
DR-50S	50mm	Stainless steel, EU1.4301 (SUS304)	Well for probe TG-IH3/xxx
DR-90S	90mm	Stainless steel, EU1.4301 (SUS304)	Well for probe TG-IH3/xxx
DR-120S	120mm	Stainless steel, EU1.4301 (SUS304)	Well for probe TG-IH3/xxx
DR-170S	170mm	Stainless steel, EU1.4301 (SUS304)	Well for probe TG-IH3/xxx
DR-310S	310mm	Stainless steel, EU1.4301 (SUS304)	Well for probe TG-IH3/xxx
DR-50WA	50mm	Acid-proof stainless steel, EU1.4401 (SUS316)	Well for probe TG-IH3/xxx
DR-90WA	90mm	Acid-proof stainless steel, EU1.4401 (SUS316)	Well for probe TG-IH3/xxx
DR-120WA	120mm	Acid-proof stainless steel, EU1.4401 (SUS316)	Well for probe TG-IH3/xxx
DR-170WA	170mm	Acid-proof stainless steel, EU1.4401 (SUS316)	Well for probe TG-IH3/xxx
DR-310WA	310mm	Acid-proof stainless steel, EU1.4401 (SUS316)	Well for probe TG-IH3/xxx

Dimensions



[mm], unless otherwise specified

Documentation

All documentation can be downloaded from www.regincontrols.com.