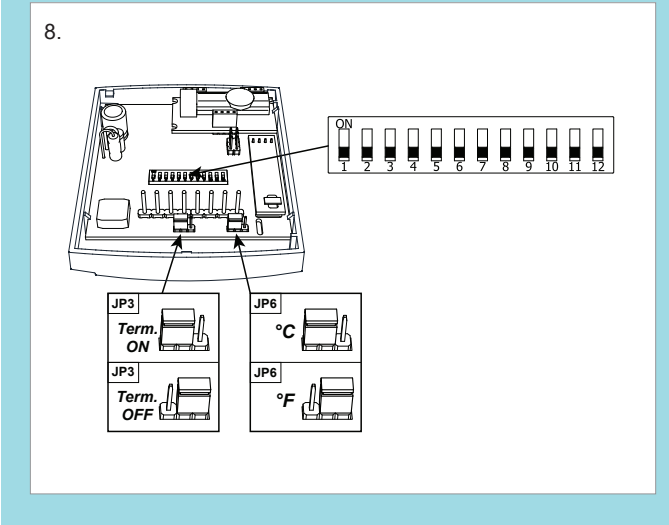
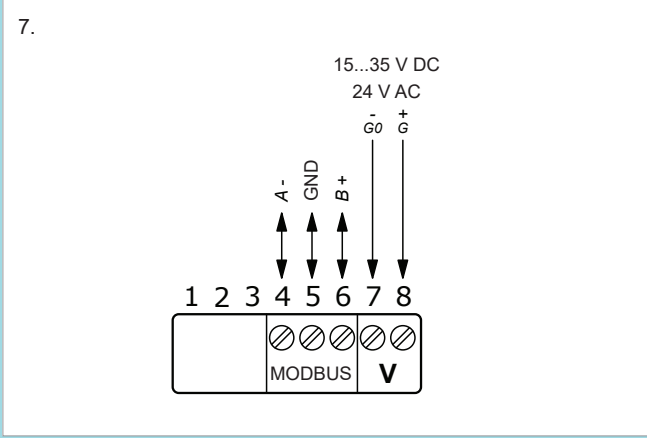
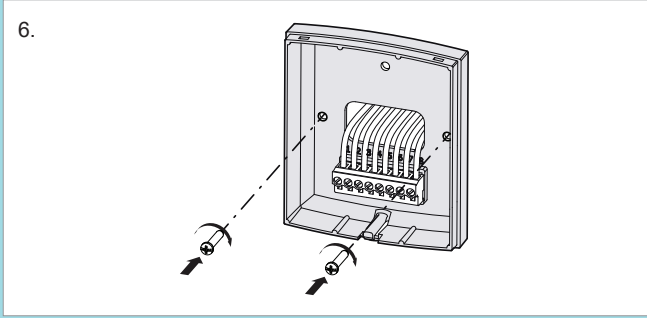
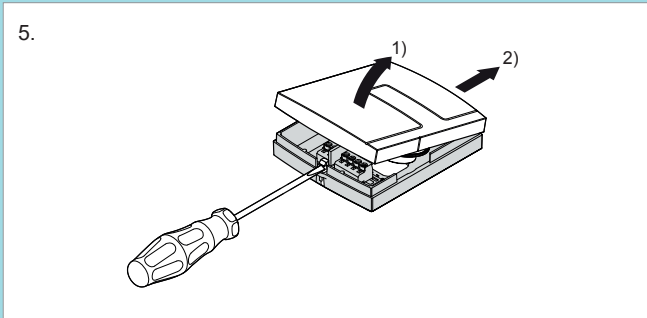
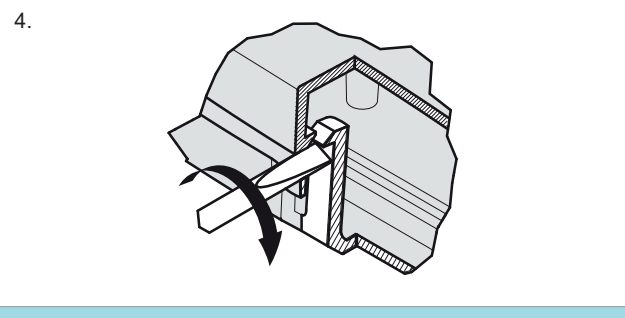
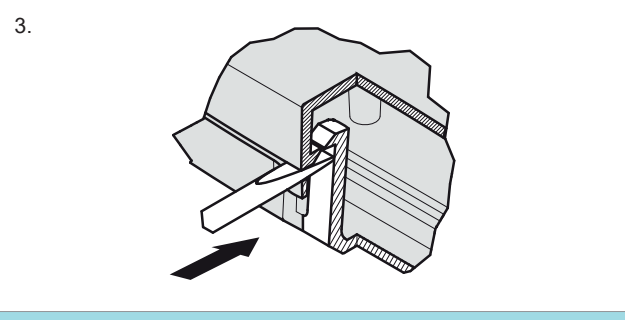
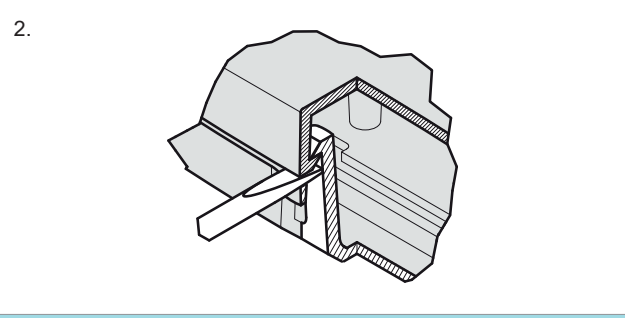
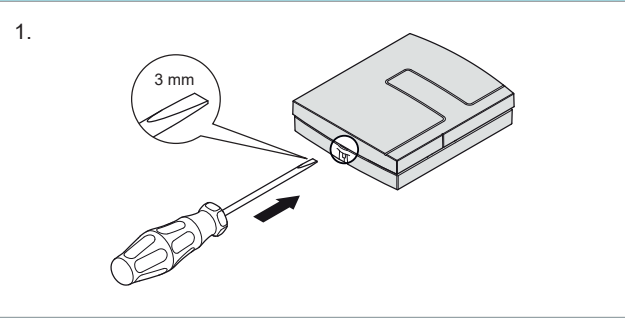


CTRC(-D)



11891F MAY 19 - Valid from May - 2023

Baud rate Baudhastighet		
	11	12
38400	ON	ON
19200	OFF	OFF
9600	ON	OFF
4800	OFF	ON


Parity Paritet		
	9	10
Even / Jämn (1 stop bit)	OFF	OFF
None / Ingen (2 stop bit)	ON	OFF
Odd / Udda (1 stop bit)	OFF	ON
None / Ingen (2 stop bit)	ON	ON

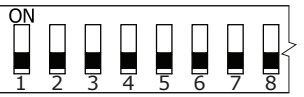
Address Address								
	1	2	3	4	5	6	7	8
1	OFF	OFF	OFF	OFF	OFF	OFF	OFF	OFF
1	ON	OFF	OFF	OFF	OFF	OFF	OFF	OFF
2	OFF	ON	OFF	OFF	OFF	OFF	OFF	OFF
3	ON	ON	OFF	OFF	OFF	OFF	OFF	OFF
4	OFF	OFF	ON	OFF	OFF	OFF	OFF	OFF
5	ON	OFF	ON	OFF	OFF	OFF	OFF	OFF
6	OFF	ON	ON	OFF	OFF	OFF	OFF	OFF
7	ON	ON	ON	OFF	OFF	OFF	OFF	OFF
8	OFF	OFF	OFF	ON	OFF	OFF	OFF	OFF
9	ON	OFF	OFF	ON	OFF	OFF	OFF	OFF
10	OFF	ON	OFF	ON	OFF	OFF	OFF	OFF
11	ON	ON	OFF	ON	OFF	OFF	OFF	OFF
12	OFF	OFF	ON	ON	OFF	OFF	OFF	OFF
13	ON	OFF	ON	ON	OFF	OFF	OFF	OFF
14	OFF	ON	ON	ON	OFF	OFF	OFF	OFF
15	ON	ON	ON	ON	OFF	OFF	OFF	OFF

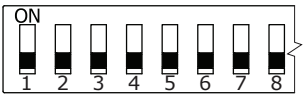
Address Address								
	1	2	3	4	5	6	7	8
16	OFF	OFF	OFF	OFF	ON	OFF	OFF	OFF
17	ON	OFF	OFF	OFF	ON	OFF	OFF	OFF
18	OFF	ON	OFF	OFF	ON	OFF	OFF	OFF
19	ON	ON	OFF	OFF	ON	OFF	OFF	OFF
20	OFF	OFF	ON	OFF	ON	OFF	OFF	OFF
21	ON	OFF	ON	OFF	ON	OFF	OFF	OFF
22	OFF	ON	ON	OFF	ON	OFF	OFF	OFF
23	ON	ON	ON	OFF	ON	OFF	OFF	OFF
24	OFF	OFF	OFF	ON	ON	OFF	OFF	OFF
25	ON	OFF	OFF	ON	ON	OFF	OFF	OFF
26	OFF	ON	OFF	ON	ON	OFF	OFF	OFF
27	ON	ON	OFF	ON	ON	OFF	OFF	OFF
28	OFF	OFF	ON	ON	ON	OFF	OFF	OFF
29	ON	OFF	ON	ON	ON	OFF	OFF	OFF
30	OFF	ON	ON	ON	ON	OFF	OFF	OFF
31	ON	ON	ON	ON	ON	OFF	OFF	OFF
32	OFF	OFF	OFF	OFF	OFF	ON	OFF	OFF
33	ON	OFF	OFF	OFF	OFF	ON	OFF	OFF
34	OFF	ON	OFF	OFF	OFF	ON	OFF	OFF
35	ON	ON	OFF	OFF	OFF	ON	OFF	OFF
36	OFF	OFF	ON	OFF	OFF	ON	OFF	OFF
37	ON	OFF	ON	OFF	OFF	ON	OFF	OFF
38	OFF	ON	ON	OFF	OFF	ON	OFF	OFF
39	ON	ON	ON	OFF	OFF	ON	OFF	OFF
40	OFF	OFF	OFF	ON	OFF	ON	OFF	OFF
41	ON	OFF	OFF	ON	OFF	ON	OFF	OFF
42	OFF	ON	OFF	ON	OFF	ON	OFF	OFF
43	ON	ON	OFF	ON	OFF	ON	OFF	OFF
44	OFF	OFF	ON	ON	OFF	ON	OFF	OFF
45	ON	OFF	ON	ON	OFF	ON	OFF	OFF
46	OFF	ON	ON	ON	OFF	ON	OFF	OFF
47	ON	ON	ON	ON	OFF	ON	OFF	OFF
48	OFF	OFF	OFF	OFF	ON	ON	OFF	OFF
49	ON	OFF	OFF	OFF	ON	ON	OFF	OFF
50	OFF	ON	OFF	OFF	ON	ON	OFF	OFF
51	ON	ON	OFF	OFF	ON	ON	OFF	OFF

Address Address								
	1	2	3	4	5	6	7	8
52	OFF	OFF	ON	OFF	ON	ON	OFF	OFF
53	ON	OFF	ON	OFF	ON	ON	OFF	OFF
54	OFF	ON	ON	OFF	ON	ON	OFF	OFF
55	ON	ON	ON	OFF	ON	ON	OFF	OFF
56	OFF	OFF	OFF	ON	ON	ON	OFF	OFF
57	ON	OFF	OFF	ON	ON	ON	OFF	OFF
58	OFF	ON	OFF	ON	ON	ON	OFF	OFF
59	ON	ON	OFF	ON	ON	ON	OFF	OFF
60	OFF	OFF	ON	ON	ON	ON	OFF	OFF
61	ON	OFF	ON	ON	ON	ON	OFF	OFF
62	OFF	ON	ON	ON	ON	ON	OFF	OFF
63	ON	ON	ON	ON	ON	ON	OFF	OFF
64	OFF	OFF	OFF	OFF	OFF	OFF	ON	OFF
65	ON	OFF	OFF	OFF	OFF	OFF	ON	OFF
66	OFF	ON	OFF	OFF	OFF	OFF	ON	OFF
67	ON	ON	OFF	OFF	OFF	OFF	ON	OFF
68	OFF	OFF	ON	OFF	OFF	OFF	ON	OFF
69	ON	OFF	ON	OFF	OFF	OFF	ON	OFF
70	OFF	ON	ON	OFF	OFF	OFF	ON	OFF
71	ON	ON	ON	OFF	OFF	OFF	ON	OFF
72	OFF	OFF	OFF	ON	OFF	OFF	ON	OFF
73	ON	OFF	OFF	ON	OFF	OFF	ON	OFF
74	OFF	ON	OFF	ON	OFF	OFF	ON	OFF
75	ON	ON	OFF	ON	OFF	OFF	ON	OFF
76	OFF	OFF	ON	ON	OFF	OFF	ON	OFF
77	ON	OFF	ON	ON	OFF	OFF	ON	OFF
78	OFF	ON	ON	ON	OFF	OFF	ON	OFF
79	ON	ON	ON	ON	OFF	OFF	ON	OFF
80	OFF	OFF	OFF	OFF	ON	OFF	ON	OFF
81	ON	OFF	OFF	OFF	ON	OFF	ON	OFF
82	OFF	ON	OFF	OFF	ON	OFF	ON	OFF
83	ON	ON	OFF	OFF	ON	OFF	ON	OFF
84	OFF	OFF	ON	OFF	ON	OFF	ON	OFF
85	ON	OFF	ON	OFF	ON	OFF	ON	OFF
86	OFF	ON	ON	OFF	ON	OFF	ON	OFF
87	ON	ON	ON	OFF	ON	OFF	ON	OFF

11891F MAY 19 - Valid from May - 2023

Address Address								
	1	2	3	4	5	6	7	8
88	OFF	OFF	OFF	ON	ON	OFF	ON	OFF
89	ON	OFF	OFF	ON	ON	OFF	ON	OFF
90	OFF	ON	OFF	ON	ON	OFF	ON	OFF
91	ON	ON	OFF	ON	ON	OFF	ON	OFF
92	OFF	OFF	ON	ON	ON	OFF	ON	OFF
93	ON	OFF	ON	ON	ON	OFF	ON	OFF
94	OFF	ON	ON	ON	ON	OFF	ON	OFF
95	ON	ON	ON	ON	ON	OFF	ON	OFF
96	OFF	OFF	OFF	OFF	OFF	ON	ON	OFF
97	ON	OFF	OFF	OFF	OFF	ON	ON	OFF
98	OFF	ON	OFF	OFF	OFF	ON	ON	OFF
99	ON	ON	OFF	OFF	OFF	ON	ON	OFF
100	OFF	OFF	ON	OFF	OFF	ON	ON	OFF
101	ON	OFF	ON	OFF	OFF	ON	ON	OFF
102	OFF	ON	ON	OFF	OFF	ON	ON	OFF
103	ON	ON	ON	OFF	OFF	ON	ON	OFF
104	OFF	OFF	OFF	ON	OFF	ON	ON	OFF
105	ON	OFF	OFF	ON	OFF	ON	ON	OFF
106	OFF	ON	OFF	ON	OFF	ON	ON	OFF
107	ON	ON	OFF	ON	OFF	ON	ON	OFF
108	OFF	OFF	ON	ON	OFF	ON	ON	OFF
109	ON	OFF	ON	ON	OFF	ON	ON	OFF
110	OFF	ON	ON	ON	OFF	ON	ON	OFF
111	ON	ON	ON	ON	OFF	ON	ON	OFF
112	OFF	OFF	OFF	OFF	ON	ON	ON	OFF
113	ON	OFF	OFF	OFF	ON	ON	ON	OFF
114	OFF	ON	OFF	OFF	ON	ON	ON	OFF
115	ON	ON	OFF	OFF	ON	ON	ON	OFF
116	OFF	OFF	ON	OFF	ON	ON	ON	OFF
117	ON	OFF	ON	OFF	ON	ON	ON	OFF
118	OFF	ON	ON	OFF	ON	ON	ON	OFF
119	ON	ON	ON	OFF	ON	ON	ON	OFF
120	OFF	OFF	OFF	ON	ON	ON	ON	OFF
121	ON	OFF	OFF	ON	ON	ON	ON	OFF
122	OFF	ON	OFF	ON	ON	ON	ON	OFF
123	ON	ON	OFF	ON	ON	ON	ON	OFF

Address Address								
	1	2	3	4	5	6	7	8
124	OFF	OFF	ON	ON	ON	ON	ON	OFF
125	ON	OFF	ON	ON	ON	ON	ON	OFF
126	OFF	ON	ON	ON	ON	ON	ON	OFF
127	ON	ON	ON	ON	ON	ON	ON	OFF
128	OFF	OFF	OFF	OFF	OFF	OFF	OFF	ON
129	ON	OFF	OFF	OFF	OFF	OFF	OFF	ON
130	OFF	ON	OFF	OFF	OFF	OFF	OFF	ON
131	ON	ON	OFF	OFF	OFF	OFF	OFF	ON
132	OFF	OFF	ON	OFF	OFF	OFF	OFF	ON
133	ON	OFF	ON	OFF	OFF	OFF	OFF	ON
134	OFF	ON	ON	OFF	OFF	OFF	OFF	ON
135	ON	ON	ON	OFF	OFF	OFF	OFF	ON
136	OFF	OFF	OFF	ON	OFF	OFF	OFF	ON
137	ON	OFF	OFF	ON	OFF	OFF	OFF	ON
138	OFF	ON	OFF	ON	OFF	OFF	OFF	ON
139	ON	ON	OFF	ON	OFF	OFF	OFF	ON
140	OFF	OFF	ON	ON	OFF	OFF	OFF	ON
141	ON	OFF	ON	ON	OFF	OFF	OFF	ON
142	OFF	ON	ON	ON	OFF	OFF	OFF	ON
143	ON	ON	ON	ON	OFF	OFF	OFF	ON
144	OFF	OFF	OFF	OFF	ON	OFF	OFF	ON
145	ON	OFF	OFF	OFF	ON	OFF	OFF	ON
146	OFF	ON	OFF	OFF	ON	OFF	OFF	ON
147	ON	ON	OFF	OFF	ON	OFF	OFF	ON
148	OFF	OFF	ON	OFF	ON	OFF	OFF	ON
149	ON	OFF	ON	OFF	ON	OFF	OFF	ON
150	OFF	ON	ON	OFF	ON	OFF	OFF	ON
151	ON	ON	ON	OFF	ON	OFF	OFF	ON
152	OFF	OFF	OFF	ON	ON	OFF	OFF	ON
153	ON	OFF	OFF	ON	ON	OFF	OFF	ON
154	OFF	ON	OFF	ON	ON	OFF	OFF	ON
155	ON	ON	OFF	ON	ON	OFF	OFF	ON
156	OFF	OFF	ON	ON	ON	OFF	OFF	ON
157	ON	OFF	ON	ON	ON	OFF	OFF	ON
158	OFF	ON	ON	ON	ON	OFF	OFF	ON
159	ON	ON	ON	ON	ON	OFF	OFF	ON

Address Address								
	1	2	3	4	5	6	7	8
160	OFF	OFF	OFF	OFF	OFF	ON	OFF	ON
161	ON	OFF	OFF	OFF	OFF	ON	OFF	ON
162	OFF	ON	OFF	OFF	OFF	ON	OFF	ON
163	ON	ON	OFF	OFF	OFF	ON	OFF	ON
164	OFF	OFF	ON	OFF	OFF	ON	OFF	ON
165	ON	OFF	ON	OFF	OFF	ON	OFF	ON
166	OFF	ON	ON	OFF	OFF	ON	OFF	ON
167	ON	ON	ON	OFF	OFF	ON	OFF	ON
168	OFF	OFF	OFF	ON	OFF	ON	OFF	ON
169	ON	OFF	OFF	ON	OFF	ON	OFF	ON
170	OFF	ON	OFF	ON	OFF	ON	OFF	ON
171	ON	ON	OFF	ON	OFF	ON	OFF	ON
172	OFF	OFF	ON	ON	OFF	ON	OFF	ON
173	ON	OFF	ON	ON	OFF	ON	OFF	ON
174	OFF	ON	ON	ON	OFF	ON	OFF	ON
175	ON	ON	ON	ON	OFF	ON	OFF	ON
176	OFF	OFF	OFF	OFF	ON	ON	OFF	ON
177	ON	OFF	OFF	OFF	ON	ON	OFF	ON
178	OFF	ON	OFF	OFF	ON	ON	OFF	ON
179	ON	ON	OFF	OFF	ON	ON	OFF	ON
180	OFF	OFF	ON	OFF	ON	ON	OFF	ON
181	ON	OFF	ON	OFF	ON	ON	OFF	ON
182	OFF	ON	ON	OFF	ON	ON	OFF	ON
183	ON	ON	ON	OFF	ON	ON	OFF	ON
184	OFF	OFF	OFF	ON	ON	ON	OFF	ON
185	ON	OFF	OFF	ON	ON	ON	OFF	ON
186	OFF	ON	OFF	ON	ON	ON	OFF	ON
187	ON	ON	OFF	ON	ON	ON	OFF	ON
188	OFF	OFF	ON	ON	ON	ON	OFF	ON
189	ON	OFF	ON	ON	ON	ON	OFF	ON
190	OFF	ON	ON	ON	ON	ON	OFF	ON
191	ON	ON	ON	ON	ON	ON	OFF	ON
192	OFF	OFF	OFF	OFF	OFF	OFF	ON	ON
193	ON	OFF	OFF	OFF	OFF	OFF	ON	ON
194	OFF	ON	OFF	OFF	OFF	OFF	ON	ON
195	ON	ON	OFF	OFF	OFF	OFF	ON	ON

11891F MAY 19 - Valid from May - 2023

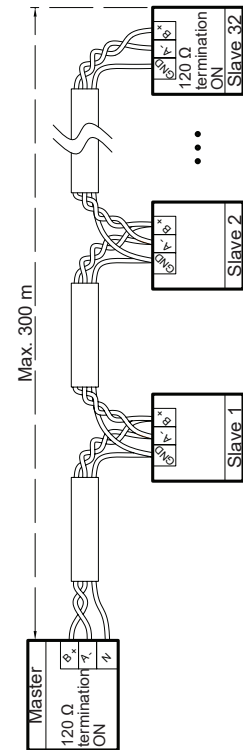
Address Address								
	1	2	3	4	5	6	7	8
196	OFF	OFF	ON	OFF	OFF	OFF	ON	ON
197	ON	OFF	ON	OFF	OFF	OFF	ON	ON
198	OFF	ON	ON	OFF	OFF	OFF	ON	ON
199	ON	ON	ON	OFF	OFF	OFF	ON	ON
200	OFF	OFF	OFF	ON	OFF	OFF	ON	ON
201	ON	OFF	OFF	ON	OFF	OFF	ON	ON
202	OFF	ON	OFF	ON	OFF	OFF	ON	ON
203	ON	ON	OFF	ON	OFF	OFF	ON	ON
204	OFF	OFF	ON	ON	OFF	OFF	ON	ON
205	ON	OFF	ON	ON	OFF	OFF	ON	ON
206	OFF	ON	ON	ON	OFF	OFF	ON	ON
207	ON	ON	ON	ON	OFF	OFF	ON	ON
208	OFF	OFF	OFF	OFF	ON	OFF	ON	ON
209	ON	OFF	OFF	OFF	ON	OFF	ON	ON
210	OFF	ON	OFF	OFF	ON	OFF	ON	ON
211	ON	ON	OFF	OFF	ON	OFF	ON	ON
212	OFF	OFF	ON	OFF	ON	OFF	ON	ON
213	ON	OFF	ON	OFF	ON	OFF	ON	ON
214	OFF	ON	ON	OFF	ON	OFF	ON	ON
215	ON	ON	ON	OFF	ON	OFF	ON	ON
216	OFF	OFF	OFF	ON	ON	OFF	ON	ON
217	ON	OFF	OFF	ON	ON	OFF	ON	ON
218	OFF	ON	OFF	ON	ON	OFF	ON	ON
219	ON	ON	OFF	ON	ON	OFF	ON	ON
220	OFF	OFF	ON	ON	ON	OFF	ON	ON
221	ON	OFF	ON	ON	ON	OFF	ON	ON
222	OFF	ON	ON	ON	ON	OFF	ON	ON
223	ON	ON	ON	ON	ON	OFF	ON	ON
224	OFF	OFF	OFF	OFF	OFF	ON	ON	ON
225	ON	OFF	OFF	OFF	OFF	ON	ON	ON
226	OFF	ON	OFF	OFF	OFF	ON	ON	ON
227	ON	ON	OFF	OFF	OFF	ON	ON	ON
228	OFF	OFF	ON	OFF	OFF	ON	ON	ON
229	ON	OFF	ON	OFF	OFF	ON	ON	ON
230	OFF	ON	ON	OFF	OFF	ON	ON	ON
231	ON	ON	ON	OFF	OFF	ON	ON	ON

Address Address								
	1	2	3	4	5	6	7	8
232	OFF	OFF	OFF	ON	OFF	ON	ON	ON
233	ON	OFF	OFF	ON	OFF	ON	ON	ON
234	OFF	ON	OFF	ON	OFF	ON	ON	ON
235	ON	ON	OFF	ON	OFF	ON	ON	ON
236	OFF	OFF	ON	ON	OFF	ON	ON	ON
237	ON	OFF	ON	ON	OFF	ON	ON	ON
238	OFF	ON	ON	ON	OFF	ON	ON	ON
239	ON	ON	ON	ON	OFF	ON	ON	ON
240	OFF	OFF	OFF	OFF	ON	ON	ON	ON
241	ON	OFF	OFF	OFF	ON	ON	ON	ON
242	OFF	ON	OFF	OFF	ON	ON	ON	ON
243	ON	ON	OFF	OFF	ON	ON	ON	ON
244	OFF	OFF	ON	OFF	ON	ON	ON	ON
245	ON	OFF	ON	OFF	ON	ON	ON	ON
246	OFF	ON	ON	OFF	ON	ON	ON	ON
247*	ON	ON	ON	OFF	ON	ON	ON	ON
247*	OFF	OFF	OFF	ON	ON	ON	ON	ON
247*	ON	OFF	OFF	ON	ON	ON	ON	ON
247*	OFF	ON	OFF	ON	ON	ON	ON	ON
247*	ON	ON	OFF	ON	ON	ON	ON	ON
247*	OFF	OFF	ON	ON	ON	ON	ON	ON
247*	ON	OFF	ON	ON	ON	ON	ON	ON
247*	OFF	ON	ON	ON	ON	ON	ON	ON
247*	ON	ON	ON	ON	ON	ON	ON	ON

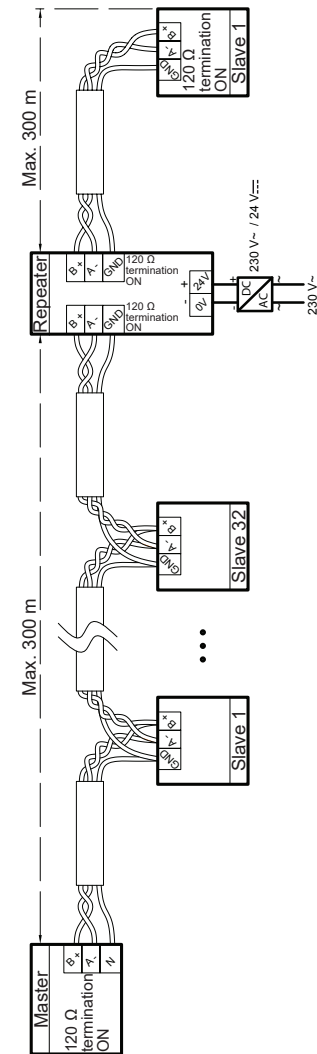
* Maximum selectable address = 247
Högsta valbara adress = 247

11891F MAY 19 - Valid from May - 2023

Connection without repeater / Anslutning utan repeater



Connection with repeater / Anslutning med repeater





INSTRUCTION CTRC(-D)



Read this instruction before installation and wiring of the product. Subject to change without notice.

CO₂ and temperature transmitter for Modbus communication for wall mounting

Room transmitters for measuring carbon dioxide concentration in indoor environments. The transmitter has a built-in CO₂ sensor with measuring range 0...2000 ppm, as well as a built-in temperature sensor.

-D models have an LCD display showing CO₂ concentration and temperature.



Caution! The CO₂ sensor must not be subjected to any kind of mechanical impact as this may cause the sensor to give faulty readings.

Technical data

Output signal	Modbus
Supply voltage	24 V AC/DC (21.6...26.4 V AC / 15...35 V DC)
Power consumption	< 2.5 W
Energy consumption	< 0.5 Wh
Transformer power	5 VA
Electrical connection	Screw terminals max. 1.5 mm ² (AWG 16)
Ambient temperature	0...50°C
Ambient humidity	10...90 % RH non-condensing
Storage temperature	-25...+60°C
Protection class	IP30
Dimensions (WxHxD)	85 x 100 x 30.5 mm

CO₂

Measuring range	0...2000 ppm
Accuracy at 20°C	< ± (50 ppm + 2 % of the measured value)
Temp. influence	Typically 5 ppm / K
Long term stability	Typically 20 ppm / year
Time constant	< 90 s
Warmup time	< 5 min

Temperature

Measuring range	0...50°C
Accuracy at 20°C	±0.2°C

Communication

Type	Modbus RTU
Factory settings	
Baud rate	19200 bits/s
Parity	Even
Address of unit	1

Installation

The transmitter should be mounted in a location with good air circulation where it can be expected to give a representative reading. It may be mounted on a wallbox or directly on the wall.

To remove the front cover, depress the locking tongue in the lower part of the casing using a 3 mm flat-blade screwdriver (**figure 1**). Press and twist the screwdriver and at the same time pull the bottom part of the front outwards (**figure 2-4**). When the bottom end of the front is free from the bottom part of the casing, slide the cover towards the top of the casing to free the hooks holding the upper edge of the front cover (**figure 5**).

Perform the connections according to the electrical wiring diagram (**figure 7**).

Screw the bottom part of the casing to the wall.

Regin CO₂ Background Calibration (RCBC)

The Regin CO₂ Background Calibration function, or RCBC, is a function to get a more stable CO₂ level in a room that is not used for parts of a day.

The lowest reading each day is saved, and every 7 days these readings are checked and may be adjusted up or down depending on the CO₂ level.

In order for the function to work properly, the room must be well ventilated and should be empty for at least 4 hours per day.

The RCBC function should not be used for rooms that are in use 24 hours a day, like greenhouses and hospital rooms.

Communication settings

The transmitter can communicate with a Modbus master unit. All parameters and variables are accessible as holding registers and R/W operations are implemented with function codes (FC=03, 06, 16). Select a suitable timeout between readings, in relation to the baud rate. A minimum timeout of one second is suitable for 19200 and 9600 baud. For other baud rates, increase the timeout value (2 s for 4800 baud). To modify the factory settings (listed under Technical data), see **page 2-4**.

The RS485-Modbus line has a principal bus to which the various devices are connected (max. 32 devices). Use twisted pair cables + 1 ground wire + shield. Use the twisted pair cable to connect A+ and B- and a single wire for GND, this must be connected to each device. Connect the shield to ground at a single point, preferably near the master. The cable must be of the Modbus RS485 data

transmission type. The ends of the cable must be connected to a 120 Ω termination resistance. To fit the 120 Ω to the transmitter (JP3), see **figure 8**.

The maximum length of the bus depends on the baud rate and the cable itself. For a baud rate of 9600, the cable (AVG26 type) can be up to 1000 m. Any branch lines must not be over 20 m. If a multiport tap is used for n branches, each branch can be up to 40 m divided by n. To increase the number of devices on the line or increase the length of the cables, a signal repeater must be installed. Add a signal repeater for each group of 32 connected devices.

RCBC

When not using the RCBC function, the value in register 4002 is read.

When using the RCBC function:

- Write to register address 4020:
 - Turn on RCBC = Write 10608
 - Turn off RCBC = Write 13608
 - Reset RCBC = Write 21217
- Read value of register 4002.

Address*	Description	Min.	Max.	R/W
4000	Temperature**	0°C	500°C	R
4001	CO ₂ ***	0	2000	R
4020	RCBC action	-	-	R/W
4024	Temperature correction****	-90	90	R/W
4025	CO ₂ correction****	-200	200	R/W

*) Holding register address

***) The displayed value for temperature and humidity is multiplied by 10 (example: value read by transmitter = 21.3°C → value read by Modbus = 213).

****) The CO₂ value read from the sensor and corrected.

*****) The parameter is added to the sensor value.

If the sensor is broken, the temperature displayed corresponds to the values in the table below:

Broken sensor	Modbus value	Corresponding value
Temperature	-20 °C	-2.0°C
CO ₂	0	0

11891F MAY 19 - Valid from May - 2023

Startup

After applying power to the transmitter, it will be a few minutes before it starts to show correct CO₂ values.

Calibration

The transmitter is calibrated before delivery and does not need to be calibrated at installation. It is calibrated automatically, which means that manual recalibration is not required during the lifetime of the transmitter.



This product carries the CE mark.

More information is available at www.regincontrols.com.

Contact

AB Regin, Box 116, 428 22 Kålleröd, Sweden

Tel: +46 31 720 02 00, Fax: +46 31 720 02 50

www.regincontrols.com, info@regin.se



INSTRUKTION CTRC(-D)



Läs denna instruktion innan produkten monteras och ansluts. Kan ändras utan föregående notis.

CO₂- och temperaturtransmitter för Modbuskommunikation för väggmontage

Rumstransmittrar för mätning av koldioxidhalt i inomhusluft. Transmittern har en inbyggd CO₂-givare med mätområde 0...2000 ppm, samt inbyggd temperaturgivare. -D-modellerna har LCD-display som visar CO₂-koncentration och temperatur.



Observera! CO₂-givaren får inte utsättas för mekanisk påverkan av något slag då detta kan göra att givaren ger felaktiga mätvärden.

Tekniska data

Utsignal	Modbus
Matningsspänning	24 V AC/DC (21.6...26.4 V AC / 15...35 V DC)
Strömförbrukning	< 2,5 W
Energiförbrukning	< 0,5 Wh
Transformatorkapacitet	5 VA
Elektrisk anslutning	Skruvplintar max. 1,5 mm ² (AWG 16)
Omgivningstemperatur	0...50°C
Omgivande luftfuktighet	10...90 % RH icke-kondenserande
Lagringstemperatur	-25...+60°C
Skyddsklass	IP30
Dimensioner (BxHxD)	85 x 100 x 30,5 mm
CO₂	
Mätområde	0...2000 ppm
Noggrannhet vid 20°C	< ± (50 ppm + 2 % av mätvärdet)
Temperaturavvikelse	Typiskt 5 ppm / K
Långtidsstabilitet	Typiskt 20 ppm / år
Tidskonstant	< 90 s
Uppvärmningstid	< 5 min
Temperatur	
Mätområde	0...50°C
Noggrannhet vid 20°C	±0,2°C

11891F MAY 19 - Valid from May - 2023

CTRC(-D)

Kommunikation

Typ	Modbus RTU
Fabriksinställningar	
Baudhastighet	19200 bitar/s
Paritet	Jämn
Enhetens adress	1

Installation

Transmittern ska monteras på en plats med god luftcirkulation där den kan förväntas ge representativa mätvärden. Den kan monteras antingen på väggdosa eller direkt på vägg.

Ta av locket genom att trycka in plasttungan i kåpans nedre gavel med en 3 mm bred mejsel (**bild 1**). Vrid mejseln och dra samtidigt locket lite utåt (**bild 2-4**). När lockets nedre gavel går fritt från botten, skjut locket i riktning mot den övre gaveln för att frigöra hakarna i lockets övre ände (**bild 5**).

Koppla in enheten enligt inkopplingsdiagrammet (**bild 7**). Skruva fast enheten i väggen.

Regin CO₂ Background Calibration (RCBC)

Funktionen Regin CO₂ Background Calibration, eller RCBC, är en funktion för att få en mer stabil CO₂-nivå i ett rum som inte används under delar av dygnet.

Det lägsta uppmätta värdet varje dag sparas, och var 7:e dag kontrolleras dessa värden och kan justeras upp eller ned beroende på rummets CO₂-nivå.

För att funktionen ska fungera, måste rummet ha god ventilation och vara tomt minst 4 timmar per dygn.

RCBC-funktionen ska inte användas i rum som används dygnet runt, som växthus eller sjukhusrum.

Kommunikationsinställningar

Transmittern kan kommunicera med en Modbusmasterenhet. Alla parametrar och variabler är tillgängliga som holding register och vad som ska läsas/skrivas (R/W) definieras i funktionskoder (FC=03, 06, 16). Välj en lämplig timeout mellan läsningarna, i förhållande till baudhastigheten. En minimumtimeout på en sekund är lämplig för 19200 och 9600 baud. Öka timeoutvärdet för andra baudhastigheter (2 s för 4800 baud). För att justera fabriksinställningarna (som finns under Tekniska data), se **sida 2-4**. RS485-Modbus-linjen har en huvudbuss till vilken de olika enheterna ansluts (max. 32 enheter). Använd partvinnade kablar + 1 jordledning + skärm. Använd den partvinnade kabeln för att ansluta A+ och B- och en enkel ledare för GND, denna måste anslutas till varje enhet. Anslut skärmen till jord vid ett ställe, helst nära mastern. Kabeln måste vara av dataöverföringstypen Modbus RS485. Kabelns ändrar måste anslutas till ett 120 Ω termineringsmotstånd. För att koppla 120 Ω till transmittern (JP3), se **bild 8**.

Bussens maximala längd är beroende av baudhastigheten och själva kabeln. För en baudhastighet på 9600 kan kabeln (AVG26-typ) vara upp till 1000 m. Eventuella avgreningsledningar får inte vara längre än 20 m. Om en multiport tap används för n avgreningar kan varje avgrening vara upp till 40 m delat med n. För att öka antalet enheter på ledningen eller öka kabellängden måste en signalrepeater installeras. Lägg till en signalrepeater för varje grupp av 32 anslutna enheter.

RCBC

När RCBC-funktionen är inaktiverad, läses värdet i register 4002.

När RCBC-funktionen är aktiverad:

1. Skriv till register 4020:
 - Aktivera RCBC = Skriv 10608
 - Inaktivera RCBC = Skriv 13608
 - Nollställ RCBC = Skriv 21217
2. Läs värdet i register 4002.

Adress*	Beskrivning	Min.	Max.	R/W
4000	Temperatur**	0°C	500°C	R
4001	CO ₂ ***	0	2000	R
4020	RCBC-åtgärd	-	-	R/W
4024	Temperaturjustering****	-90	90	R/W
4025	CO ₂ -justering****	-200	200	R/W

*) Adress Holding Register

**) Temperatur- och fuktighetsvärdena som visas multipliceras med 10 (exempel: värde från transmittern = 21.3°C → värde från Modbus = 213).

***) CO₂-värdet läses från givaren och korrigeras.

****) Parametern adderas till givarvärdet.

Om givaren är trasig motsvarar temperaturen som visas värdena i tabellen nedan:

Trasig givare	Modbusvärde	Motsvarande värde
Temperatur	-20°C	-2.0°C
CO ₂	0	0

Uppstart

Efter spänningstillslag dröjer det några minuter innan transmittern ger rättvisande CO₂-värden.

Kalibrering

Transmittern är fabrikskalibrerad och behöver inte kalibreras vid installation. Den har automatisk kalibreringsfunktion, vilket innebär att manuell omkalibrering ej behövs under transmitterns livstid.



Produkten är CE-märkt.

Mer information finns på www.regincontrols.com.

Teknisk support

Teknisk hjälp och råd på telefon: 031 720 02 30

Kontakt

AB Regin, Box 116, 428 22 Kålleröd

Tel: +46 31 720 02 00, Fax: +46 31 720 02 50

www.regincontrols.com, info@regin.se

11891F MAY 19 - Valid from May - 2023

Baudrate		
	11	12
38400	AN	AN
19200	AUS	AUS
9600	AN	AUS
4800	AUS	AN

Parität		
	9	10
Gerade (1 Stoppbit)	AUS	AUS
Nicht belegt (2 Stoppbit)	AN	AUS
Ungerade (1 Stoppbit)	AUS	AN
Nicht belegt (2 Stoppbit)	AN	AN

Adresse								
	1	2	3	4	5	6	7	8
1	AUS	AUS	AUS	AUS	AUS	AUS	AUS	AUS
1	AN	AUS	AUS	AUS	AUS	AUS	AUS	AUS
2	AUS	AN	AUS	AUS	AUS	AUS	AUS	AUS
3	AN	AN	AUS	AUS	AUS	AUS	AUS	AUS
4	AUS	AUS	AN	AUS	AUS	AUS	AUS	AUS
5	AN	AUS	AN	AUS	AUS	AUS	AUS	AUS
6	AUS	AN	AN	AUS	AUS	AUS	AUS	AUS
7	AN	AN	AN	AUS	AUS	AUS	AUS	AUS
8	AUS	AUS	AUS	AN	AUS	AUS	AUS	AUS
9	AN	AUS	AUS	AN	AUS	AUS	AUS	AUS
10	AUS	AN	AUS	AN	AUS	AUS	AUS	AUS
11	AN	AN	AUS	AN	AUS	AUS	AUS	AUS
12	AUS	AUS	AN	AN	AUS	AUS	AUS	AUS
13	AN	AUS	AN	AN	AUS	AUS	AUS	AUS
14	AUS	AN	AN	AN	AUS	AUS	AUS	AUS
15	AN	AN	AN	AN	AUS	AUS	AUS	AUS

Adresse								
	1	2	3	4	5	6	7	8
16	AUS	AUS	AUS	AUS	AN	AUS	AUS	AUS
17	AN	AUS	AUS	AUS	AN	AUS	AUS	AUS
18	AUS	AN	AUS	AUS	AN	AUS	AUS	AUS
19	AN	AN	AUS	AUS	AN	AUS	AUS	AUS
20	AUS	AUS	AN	AUS	AN	AUS	AUS	AUS
21	AN	AUS	AN	AUS	AN	AUS	AUS	AUS
22	AUS	AN	AN	AUS	AN	AUS	AUS	AUS
23	AN	AN	AN	AUS	AN	AUS	AUS	AUS
24	AUS	AUS	AUS	AN	AN	AUS	AUS	AUS
25	AN	AUS	AUS	AN	AN	AUS	AUS	AUS
26	AUS	AN	AUS	AN	AN	AUS	AUS	AUS
27	AN	AN	AUS	AN	AN	AUS	AUS	AUS
28	AUS	AUS	AN	AN	AN	AUS	AUS	AUS
29	AN	AUS	AN	AN	AN	AUS	AUS	AUS
30	AUS	AN	AN	AN	AN	AUS	AUS	AUS
31	AN	AN	AN	AN	AN	AUS	AUS	AUS
32	AUS	AUS	AUS	AUS	AUS	AN	AUS	AUS
33	AN	AUS	AUS	AUS	AUS	AN	AUS	AUS
34	AUS	AN	AUS	AUS	AUS	AN	AUS	AUS
35	AN	AN	AUS	AUS	AUS	AN	AUS	AUS
36	AUS	AUS	AN	AUS	AUS	AN	AUS	AUS
37	AN	AUS	AN	AUS	AUS	AN	AUS	AUS
38	AUS	AN	AN	AUS	AUS	AN	AUS	AUS
39	AN	AN	AN	AUS	AUS	AN	AUS	AUS
40	AUS	AUS	AUS	AN	AUS	AN	AUS	AUS
41	AN	AUS	AUS	AN	AUS	AN	AUS	AUS
42	AUS	AN	AUS	AN	AUS	AN	AUS	AUS
43	AN	AN	AUS	AN	AUS	AN	AUS	AUS
44	AUS	AUS	AN	AN	AUS	AN	AUS	AUS
45	AN	AUS	AN	AN	AUS	AN	AUS	AUS
46	AUS	AN	AN	AN	AUS	AN	AUS	AUS
47	AN	AN	AN	AN	AUS	AN	AUS	AUS
48	AUS	AUS	AUS	AUS	AN	AN	AUS	AUS
49	AN	AUS	AUS	AUS	AN	AN	AUS	AUS
50	AUS	AN	AUS	AUS	AN	AN	AUS	AUS
51	AN	AN	AUS	AUS	AN	AN	AUS	AUS

Adresse								
	1	2	3	4	5	6	7	8
52	AUS	AUS	AN	AUS	AN	AN	AUS	AUS
53	AN	AUS	AN	AUS	AN	AN	AUS	AUS
54	AUS	AN	AN	AUS	AN	AN	AUS	AUS
55	AN	AN	AN	AUS	AN	AN	AUS	AUS
56	AUS	AUS	AUS	AN	AN	AN	AUS	AUS
57	AN	AUS	AUS	AN	AN	AN	AUS	AUS
58	AUS	AN	AUS	AN	AN	AN	AUS	AUS
59	AN	AN	AUS	AN	AN	AN	AUS	AUS
60	AUS	AUS	AN	AN	AN	AN	AUS	AUS
61	AN	AUS	AN	AN	AN	AN	AUS	AUS
62	AUS	AN	AN	AN	AN	AN	AUS	AUS
63	AN	AN	AN	AN	AN	AN	AUS	AUS
64	AUS	AUS	AUS	AUS	AUS	AUS	AN	AUS
65	AN	AUS	AUS	AUS	AUS	AUS	AN	AUS
66	AUS	AN	AUS	AUS	AUS	AUS	AN	AUS
67	AN	AN	AUS	AUS	AUS	AUS	AN	AUS
68	AUS	AUS	AN	AUS	AUS	AUS	AN	AUS
69	AN	AUS	AN	AUS	AUS	AUS	AN	AUS
70	AUS	AN	AN	AUS	AUS	AUS	AN	AUS
71	AN	AN	AN	AUS	AUS	AUS	AN	AUS
72	AUS	AUS	AUS	AN	AUS	AUS	AN	AUS
73	AN	AUS	AUS	AN	AUS	AUS	AN	AUS
74	AUS	AN	AUS	AN	AUS	AUS	AN	AUS
75	AN	AN	AUS	AN	AUS	AUS	AN	AUS
76	AUS	AUS	AN	AN	AUS	AUS	AN	AUS
77	AN	AUS	AN	AN	AUS	AUS	AN	AUS
78	AUS	AN	AN	AN	AUS	AUS	AN	AUS
79	AN	AN	AN	AN	AUS	AUS	AN	AUS
80	AUS	AUS	AUS	AUS	AN	AUS	AN	AUS
81	AN	AUS	AUS	AUS	AN	AUS	AN	AUS
82	AUS	AN	AUS	AUS	AN	AUS	AN	AUS
83	AN	AN	AUS	AUS	AN	AUS	AN	AUS
84	AUS	AUS	AN	AUS	AN	AUS	AN	AUS
85	AN	AUS	AN	AUS	AN	AUS	AN	AUS
86	AUS	AN	AN	AUS	AN	AUS	AN	AUS
87	AN	AN	AN	AUS	AN	AUS	AN	AUS


11891F MAY 19 - Valid from May - 2023

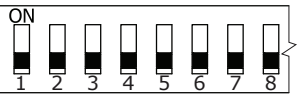
Adresse								
	1	2	3	4	5	6	7	8
88	AUS	AUS	AUS	AN	AN	AUS	AN	AUS
89	AN	AUS	AUS	AN	AN	AUS	AN	AUS
90	AUS	AN	AUS	AN	AN	AUS	AN	AUS
91	AN	AN	AUS	AN	AN	AUS	AN	AUS
92	AUS	AUS	AN	AN	AN	AUS	AN	AUS
93	AN	AUS	AN	AN	AN	AUS	AN	AUS
94	AUS	AN	AN	AN	AN	AUS	AN	AUS
95	AN	AN	AN	AN	AN	AUS	AN	AUS
96	AUS	AUS	AUS	AUS	AUS	AN	AN	AUS
97	AN	AUS	AUS	AUS	AUS	AN	AN	AUS
98	AUS	AN	AUS	AUS	AUS	AN	AN	AUS
99	AN	AN	AUS	AUS	AUS	AN	AN	AUS
100	AUS	AUS	AN	AUS	AUS	AN	AN	AUS
101	AN	AUS	AN	AUS	AUS	AN	AN	AUS
102	AUS	AN	AN	AUS	AUS	AN	AN	AUS
103	AN	AN	AN	AUS	AUS	AN	AN	AUS
104	AUS	AUS	AUS	AN	AUS	AN	AN	AUS
105	AN	AUS	AUS	AN	AUS	AN	AN	AUS
106	AUS	AN	AUS	AN	AUS	AN	AN	AUS
107	AN	AN	AUS	AN	AUS	AN	AN	AUS
108	AUS	AUS	AN	AN	AUS	AN	AN	AUS
109	AN	AUS	AN	AN	AUS	AN	AN	AUS
110	AUS	AN	AN	AN	AUS	AN	AN	AUS
111	AN	AN	AN	AN	AUS	AN	AN	AUS
112	AUS	AUS	AUS	AUS	AN	AN	AN	AUS
113	AN	AUS	AUS	AUS	AN	AN	AN	AUS
114	AUS	AN	AUS	AUS	AN	AN	AN	AUS
115	AN	AN	AUS	AUS	AN	AN	AN	AUS
116	AUS	AUS	AN	AUS	AN	AN	AN	AUS
117	AN	AUS	AN	AUS	AN	AN	AN	AUS
118	AUS	AN	AN	AUS	AN	AN	AN	AUS
119	AN	AN	AN	AUS	AN	AN	AN	AUS
120	AUS	AUS	AUS	AN	AN	AN	AN	AUS
121	AN	AUS	AUS	AN	AN	AN	AN	AUS
122	AUS	AN	AUS	AN	AN	AN	AN	AUS
123	AN	AN	AUS	AN	AN	AN	AN	AUS

Adresse								
	1	2	3	4	5	6	7	8
124	AUS	AUS	AN	AN	AN	AN	AN	AUS
125	AN	AUS	AN	AN	AN	AN	AN	AUS
126	AUS	AN	AN	AN	AN	AN	AN	AUS
127	AN	AN	AN	AN	AN	AN	AN	AUS
128	AUS	AUS	AUS	AUS	AUS	AUS	AUS	AN
129	AN	AUS	AUS	AUS	AUS	AUS	AUS	AN
130	AUS	AN	AUS	AUS	AUS	AUS	AUS	AN
131	AN	AN	AUS	AUS	AUS	AUS	AUS	AN
132	AUS	AUS	AN	AUS	AUS	AUS	AUS	AN
133	AN	AUS	AN	AUS	AUS	AUS	AUS	AN
134	AUS	AN	AN	AUS	AUS	AUS	AUS	AN
135	AN	AN	AN	AUS	AUS	AUS	AUS	AN
136	AUS	AUS	AUS	AN	AUS	AUS	AUS	AN
137	AN	AUS	AUS	AN	AUS	AUS	AUS	AN
138	AUS	AN	AUS	AN	AUS	AUS	AUS	AN
139	AN	AN	AUS	AN	AUS	AUS	AUS	AN
140	AUS	AUS	AN	AN	AUS	AUS	AUS	AN
141	AN	AUS	AN	AN	AUS	AUS	AUS	AN
142	AUS	AN	AN	AN	AUS	AUS	AUS	AN
143	AN	AN	AN	AN	AUS	AUS	AUS	AN
144	AUS	AUS	AUS	AUS	AN	AUS	AUS	AN
145	AN	AUS	AUS	AUS	AN	AUS	AUS	AN
146	AUS	AN	AUS	AUS	AN	AUS	AUS	AN
147	AN	AN	AUS	AUS	AN	AUS	AUS	AN
148	AUS	AUS	AN	AUS	AN	AUS	AUS	AN
149	AN	AUS	AN	AUS	AN	AUS	AUS	AN
150	AUS	AN	AN	AUS	AN	AUS	AUS	AN
151	AN	AN	AN	AUS	AN	AUS	AUS	AN
152	AUS	AUS	AUS	AN	AN	AUS	AUS	AN
153	AN	AUS	AUS	AN	AN	AUS	AUS	AN
154	AUS	AN	AUS	AN	AN	AUS	AUS	AN
155	AN	AN	AUS	AN	AN	AUS	AUS	AN
156	AUS	AUS	AN	AN	AN	AUS	AUS	AN
157	AN	AUS	AN	AN	AN	AUS	AUS	AN
158	AUS	AN	AN	AN	AN	AUS	AUS	AN
159	AN	AN	AN	AN	AN	AUS	AUS	AN

Adresse								
	1	2	3	4	5	6	7	8
160	AUS	AUS	AUS	AUS	AUS	AN	AUS	AN
161	AN	AUS	AUS	AUS	AUS	AN	AUS	AN
162	AUS	AN	AUS	AUS	AUS	AN	AUS	AN
163	AN	AN	AUS	AUS	AUS	AN	AUS	AN
164	AUS	AUS	AN	AUS	AUS	AN	AUS	AN
165	AN	AUS	AN	AUS	AUS	AN	AUS	AN
166	AUS	AN	AN	AUS	AUS	AN	AUS	AN
167	AN	AN	AN	AUS	AUS	AN	AUS	AN
168	AUS	AUS	AUS	AN	AUS	AN	AUS	AN
169	AN	AUS	AUS	AN	AUS	AN	AUS	AN
170	AUS	AN	AUS	AN	AUS	AN	AUS	AN
171	AN	AN	AUS	AN	AUS	AN	AUS	AN
172	AUS	AUS	AN	AN	AUS	AN	AUS	AN
173	AN	AUS	AN	AN	AUS	AN	AUS	AN
174	AUS	AN	AN	AN	AUS	AN	AUS	AN
175	AN	AN	AN	AN	AUS	AN	AUS	AN
176	AUS	AUS	AUS	AUS	AN	AN	AUS	AN
177	AN	AUS	AUS	AUS	AN	AN	AUS	AN
178	AUS	AN	AUS	AUS	AN	AN	AUS	AN
179	AN	AN	AUS	AUS	AN	AN	AUS	AN
180	AUS	AUS	AN	AUS	AN	AN	AUS	AN
181	AN	AUS	AN	AUS	AN	AN	AUS	AN
182	AUS	AN	AN	AUS	AN	AN	AUS	AN
183	AN	AN	AN	AUS	AN	AN	AUS	AN
184	AUS	AUS	AUS	AN	AN	AN	AUS	AN
185	AN	AUS	AUS	AN	AN	AN	AUS	AN
186	AUS	AN	v	AN	AN	AN	AUS	AN
187	AN	AN	AUS	AN	AN	AN	AUS	AN
188	AUS	AUS	AN	AN	AN	AN	AUS	AN
189	AN	AUS	AN	AN	AN	AN	AUS	AN
190	AUS	AN	AN	AN	AN	AN	AUS	AN
191	AN	AN	AN	AN	AN	AN	AUS	AN
192	AUS	AUS	AUS	AUS	AUS	AUS	AN	AN
193	AN	AUS	AUS	AUS	AUS	AUS	AN	AN
194	AUS	AN	AUS	AUS	AUS	AUS	AN	AN
195	AN	AN	AUS	AUS	AUS	AUS	AN	AN

11891F MAY 19 - Valid from May - 2023

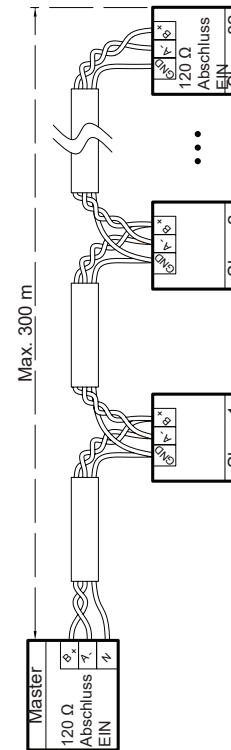
Adresse								
	1	2	3	4	5	6	7	8
196	AUS	AUS	AN	AUS	AUS	AUS	AN	AN
197	AN	AUS	AN	AUS	AUS	AUS	AN	AN
198	AUS	AN	AN	AUS	AUS	AUS	AN	AN
199	AN	AN	AN	AUS	AUS	AUS	AN	AN
200	AUS	AUS	AUS	AN	AUS	AUS	AN	AN
201	AN	AUS	AUS	AN	AUS	AUS	AN	AN
202	AUS	AN	AUS	AN	AUS	AUS	AN	AN
203	AN	AN	AUS	AN	AUS	AUS	AN	AN
204	AUS	AUS	AN	AN	AUS	AUS	AN	AN
205	AN	AUS	AN	AN	AUS	AUS	AN	AN
206	AUS	AN	AN	AN	AUS	AUS	AN	AN
207	AN	AN	AN	AN	AUS	AUS	AN	AN
208	AUS	AUS	AUS	AUS	AN	AUS	AN	AN
209	AN	AUS	AUS	AUS	AN	AUS	AN	AN
210	AUS	AN	AUS	AUS	AN	AUS	AN	AN
211	AN	AN	AUS	AUS	AN	AUS	AN	AN
212	AUS	AUS	AN	AUS	AN	AUS	AN	AN
213	AN	AUS	AN	AUS	AN	AUS	AN	AN
214	AUS	AN	AN	AUS	AN	AUS	AN	AN
215	AN	AN	AN	AUS	AN	AUS	AN	AN
216	AUS	AUS	AUS	AN	AN	AUS	AN	AN
217	AN	AUS	AUS	AN	AN	AUS	AN	AN
218	AUS	AN	AUS	AN	AN	AUS	AN	AN
219	AN	AN	AUS	AN	AN	AUS	AN	AN
220	AUS	AUS	AN	AN	AN	AUS	AN	AN
221	AN	AUS	AN	AN	AN	AUS	AN	AN
222	AUS	AN	AN	AN	AN	AUS	AN	AN
223	AN	AN	AN	AN	AN	AUS	AN	AN
224	AUS	AUS	AUS	AUS	AUS	AN	AN	AN
225	AN	AUS	AUS	AUS	AUS	AN	AN	AN
226	AUS	AN	AUS	AUS	AUS	AN	AN	AN
227	AN	AN	AUS	AUS	AUS	AN	AN	AN
228	AUS	AUS	AN	AUS	AUS	AN	AN	AN
229	AN	AUS	AN	AUS	AUS	AN	AN	AN
230	AUS	AN	AN	AUS	AUS	AN	AN	AN
231	AN	AN	AN	AUS	AUS	AN	AN	AN

Adresse								
	1	2	3	4	5	6	7	8
232	AUS	AUS	AUS	AN	AUS	AN	AN	AN
233	AN	AUS	AUS	AN	AUS	AN	AN	AN
234	AUS	AN	AUS	AN	AUS	AN	AN	AN
235	AN	AN	AUS	AN	AUS	AN	AN	AN
236	AUS	AUS	AN	AN	AUS	AN	AN	AN
237	AN	AUS	AN	AN	AUS	AN	AN	AN
238	AUS	AN	AN	AN	AUS	AN	AN	AN
239	AN	AN	AN	AN	AUS	AN	AN	AN
240	AUS	AUS	AUS	AUS	AN	AN	AN	AN
241	AN	AUS	AUS	AUS	AN	AN	AN	AN
242	AUS	AN	AUS	AUS	AN	AN	AN	AN
243	AN	AN	AUS	AUS	AN	AN	AN	AN
244	AUS	AUS	AN	AUS	AN	AN	AN	AN
245	AN	AUS	AN	AUS	AN	AN	AN	AN
246	AUS	AN	AN	AUS	AN	AN	AN	AN
247*	AN	AN	AN	AUS	AN	AN	AN	AN
247*	AUS	AUS	AUS	AN	AN	AN	AN	AN
247*	AN	AUS	AUS	AN	AN	AN	AN	AN
247*	AUS	AN	AUS	AN	AN	AN	AN	AN
247*	AN	AN	AUS	AN	AN	AN	AN	AN
247*	AUS	AUS	AN	AN	AN	AN	AN	AN
247*	AN	AUS	AN	AN	AN	AN	AN	AN
247*	AUS	AN	AN	AN	AN	AN	AN	AN
247*	AN	AN	AN	AN	AN	AN	AN	AN

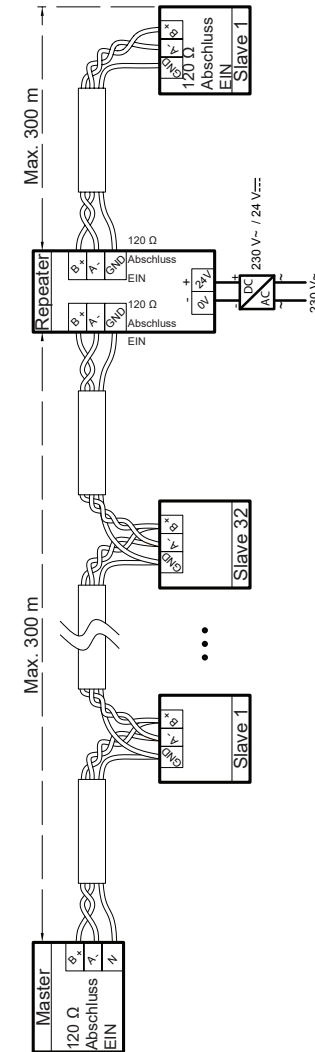
11891F MAY 19 - Valid from May - 2023

* Maximale wählbare Adresse = 247

Verbindung ohne Repeater



Verbindung mit Repeater





Lesen Sie diese Montageanleitung vor Installation und Verdrahtung des Produktes bitte durch. Änderungen der Informationen in diesem Dokument sind vorbehalten.

CO₂- und Temperaturtransmitter mit Modbus-Kommunikation für die Wandmontage

Eine Serie von Raumtransmittern zur Messung der Kohlendioxid-Konzentration in der Luft in geschlossenen Räumen. Der Transmitter verfügt über einen integrierten CO₂-Fühler mit einem Arbeitsbereich von 0...2000 ppm sowie einen eingebauten Temperaturfühler.

"-D"-Modelle haben ein LCD-Display und zeigen abwechselnd die CO₂-Konzentration und die Temperatur an.



ACHTUNG! Der CO₂ Fühler darf auf keinen Fall mechanischen Kräften ausgesetzt sein, da er sonst falsche Messwerte liefert.

Technische Daten

Ausgangssignal Modbus	
Versorgungsspannung	24 V AC/DC (21.6...26.4 V AC / 15...35 V DC)
Leistungsaufnahme	< 2.5 W
Energieverbrauch	< 0.5 Wh
Transformatorgröße	5 VA
Elektronischer Anschluss	Schraubklemmen, max. 1,5 mm ² (AWG 16)
Umgebungstemperatur	0...50 °C
Umgebungsfeuchte	10...90 % rF (nicht kondensierend)
Lagerungstemperatur	-25...+60°C
Schutzart	IP30
Abmessungen (B x H x T)	85 x 100 x 30.5 mm

CO₂

Arbeitsbereich	0...2000 ppm
Genauigkeit bei 20°C	< ± (50 ppm + 2 % des gemessenen Wertes)
Temperaturabhängigkeit	typischerweise 5 ppm / K
Langzeitstabilität	typischerweise 20 ppm / Jahr
Zeitkonstante	< 90 s
Aufwärmzeit	< 5 min

Temperatur

Arbeitsbereich	0...50°C
Genauigkeit bei 20 °C	±0.2°C

Kommunikation

Typ	Modbus RTU
Werkseinstellungen:	
Baudrate	19200 Baud
Parität	Gerade
Geräteadresse	1

Installation

Der Transmitter sollte an eine Stelle montiert werden, an dem eine gute Luftzirkulation stattfindet und repräsentative Messergebnisse zu erwarten sind. Der Transmitter kann direkt an der Wand oder auf einer Wanddose angebracht werden.

Benutzen Sie zum Entfernen der Frontabdeckung einen Schlitzschraubendreher (3 mm), um die Rastzunge im Gehäuseunterteil herunterzudrücken (**Abbildung 1**). Drücken und Drehen Sie den Schraubendreher und ziehen Sie gleichzeitig dabei das Unterteil der Frontabdeckung nach außen (**Abbildungen 2 – 4**). Wenn das Unterteil der Frontabdeckung vom Unterteil des Gehäuses gelöst wurde, muss die Abdeckung Richtung Gehäuseoberteil geschoben werden, um sie aus den oberen Befestigungshaken zu lösen (**Abbildung 5**).

Führen Sie die Anschlüsse dem elektrischen Schaltplan entsprechend aus. (**Abbildung 7**).

Schrauben Sie das Gehäuseunterteil an die Wand.

Regin CO₂ Hintergrund-Kalibrierung (RCBC)

Regin CO₂ Hintergrund-Kalibrierung (RCBC) ist eine Funktion, die ein stabiles CO₂ Niveau in Räumen gewährleistet, die nicht den ganzen Tag besetzt sind.

Die niedrigsten Messwerte werden für jeden Tag gespeichert. Jeden siebenten Tag werden diese Werte geprüft und können (nach oben oder nach unten) abhängig vom CO₂ Niveau angepasst werden. Damit die Funktion ordentlich arbeiten kann, müssen die Räume gut belüftet werden und mindestens 4 Stunden pro Tag ungenutzt bleiben.

Die „RCBC“ Funktion sollte nicht in Räumen benutzen werden, die 24 Stunden pro Tag genutzt werden, zum Beispiel in Gewächshäusern und in Krankenzimmern.

Kommunikationseinstellungen

Der Transmitter kann mit einem Modbus Master kommunizieren. Alle Parameter und Variablen sind über "Holding"-Register erreichbar. Lese/Schreibfunktion sind möglich über Funktionscodes (FC=03, 06, 16). Wählen Sie eine angemessene Auszeit zwischen den Lesezyklen in Relation zu der Baudrate. Eine minimale Auszeit von

einer Sekunde ist passend für 19200 und 9200 Baud. Ergöhen Sie die Baudrate bei anderen Baudraten (z.B. 2s bei 4800 Baud). Um die Werkseinstellung (aufgelistet in den Technischen Daten) zu verändern, siehe Seite 2-4.

Der RS-485-Modbus ist ein Kommunikationsbus, auf dem unterschiedlichste Geräte aufgeschaltet werden können (max. 32 Geräte). Verwenden Sie folgendes Kabel: Twisted Pair + 1 x Ground + Schutzmantel Verwenden Sie Twisted-Pair-Kabel für die Verbindung A+ und B- und einen einzelnen Draht für GND. Dies muss mit jedem Gerät verbunden sein. Verbinden Sie den Schutzmantel mit der Erde (GND) an einem Punkt, vorzugsweise möglichst nahe am Master. Das Kabel sollte den Spezifikationen für Modbus RS485 entsprechen. Die Enden der Kabellleitung sollten mit einem 120 Ω Widerstand abgeschlossen werden. Für die Installation des 120 Ω Widerstandes siehe Abbildung 8. Die Maximale Länge des Busses hängt von der Baudrate und den Kabeltyp ab. Bei einer Baudrate von 9600 kann mit dem Kabel AVG26 eine Länge von bis zu 1000m erreicht werden. Jeder Abzweig sollte nicht länger als 20m sein. Wird für n Abzweige ein Multiport verwendet, dann kann jeder Abzweig maximal 40m dividiert durch n lang sein. Um die Anzahl der Geräte pro Buslinie oder die Länge des Kabels zu erhöhen muss ein Repeater verwendet werden. Fügen Sie für jede Gruppe von 32 Geräten einen Repeater hinzu.

RCBC

Wenn die RCBC Funktion nicht verwendet wird, wird der Wert aus Register 4002 ausgelesen.

Wenn Sie die Funktion „RCBC“ benutzen möchten:

- Schreiben Sie in die Registeradresse 4020 folgende Werte:
 - Schalte RCBC ein= Schreibe 10608
 - Schalte RCBC aus= Schreibe 13608
 - Rückstellung „Reset“ RCBC= Schreibe 21217
- Lese den Wert des aus Register 4002 aus.

Adresse*	Beschreibung	Min.	Max.	L/S
4000	Temperatur**	0 °C	500°C	L
4001	CO ₂ ***	0	2000	L
4020	RCBC Aktion	-	-	RW
4024	Temperaturkorrektur ****	-90	90	L/S
4025	CO ₂ -Korrektur****	-200	200	L/S

*) Adresse des Holding Register

***) Der angezeigte Wert für Temperatur und Feuchte ist mit 10 multipliziert (Beispiel: Der vom Transmitter gelesene Wert = 21,3°C > Der Wert, der von Modbus gelesen wird = 213).

****) Die CO₂ Angaben des Fühlers sind abgelesen und korrigiert.

*****) Der Parameter wird zum Fühlerwert addiert.

Falls der Fühler kaputt ist, wird ein Temperaturwert gemäß der unten stehenden Tabelle angezeigt:

Fühlerbruch	Modbus-Wert	Entsprechender Wert
Temperatur	-20°C	-2.0°C
CO ₂	0	0

Inbetriebnahme

Nach dem Einschalten des Transmitters dauert es ein paar Minuten, bis die korrekten CO₂-Werte angezeigt werden.

Kalibrierung

Der Transmitter ist bei Lieferung werksmäßig kalibriert und braucht deshalb nicht bei der Installation kalibriert zu werden. Der Transmitter wird automatisch kalibriert, d. h., dass für die gesamte Fühlerlebensdauer keine manuelle Rekalibrierung notwendig ist.



Dieses Produkt trägt das CE-Zeichen.

Mehr Information können Sie auf www.regincontrols.com finden.

Vertriebskontakt

DEOS.AG

Birkenallee 76, 48432 Rheine, Germany

Tel.: +49 5971 91133-0, Fax: +49 5971 91133-2999

www.deos-ag.com, info@deos-ag.com

11891F MAY 19 - Valid from May -
2023