

CABINET CAB-STD2 - CAB-STD3

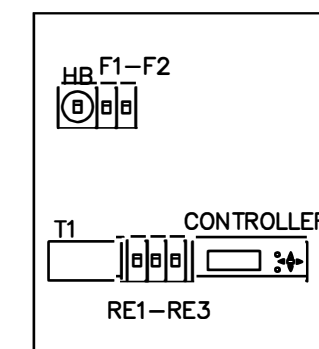
STANDARD DRAWING CAB-STD2 - CAB-STD3, Exigo Ardo 4.3

TITLE	DRAWING NO.	NUMBER OF SHEETS
LIST OF DOCUMENTS	1505C-1-01	1
PARTS LIST / ASSEMBLY DRAWING	1505C-2-01	1
CIRCUIT DIAGRAM	1505C-3-01	2
EXTERNAL CONNECTIONS	1505C-4-01	3

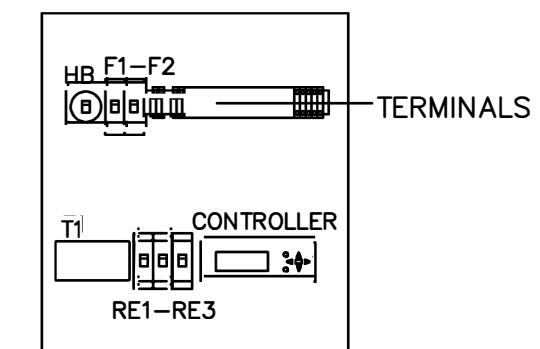
				REGIN	CAB-STD2 - CAB-STD3 CABINET LIST OF DOCUMENTS	Work No. 1505C-1-01	Drawing No. 1505C	
						Handled by AB REGIN	Drawn by CGJ	Designer CGJ
						Date 2016-04-26	Sheet 1-01	Cont. on 2-01
REV.	REVISION RECORD	SIGN.	DATE					

REF.	QUANTITY	DESIGNATION	TYPE / ARTICLE NUMBER	MANUFACTURER	NOTES
CAB-STD(X)	1	CABINET	DIN-RAIL CABINET KV9236	HENSEL	
HB	1	MAINS POWER SWITCH	KS3.40	ENSTO/MODERN ELTEKNIK	
T1	1	TRANSFORMER	PDS63-21224-M6P 230/2*12VAC 63VA	NORATEL	
(T1)	(1)	TRANSFORMER (ALT. TYPE)	RDS63-21224-M6P 230/24VAC 63VA	-"-	
101-102	2	TERMINAL	STS 2,5 (3036398)	PHOENIX	
103-104	2	-"-	STS 2,5	PHOENIX	
201-208	8	-"-	STS 2,5	-"-	
209-217	9	-"-	STS 2,5	-"-	ONLY IN CAB-STD3
218-226	9	-"-	STS 2,5	-"-	
227-232	6	-"-	STS 2,5	-"-	ONLY IN CAB-STD3
233-240	8	-"-	STS 2,5	-"-	ONLY IN CAB-STD2
233-240	4	-"-	STTB 2,5 (3031270)	-"-	ONLY IN CAB-STD3
241-248	4	-"-	STTB 2,5	-"-	ONLY IN CAB-STD3
249-250	2	-"-	STS 2,5	-"-	
	2	TERMINAL END COVER	D-STS 2.5 (3031762)	PHOENIX	FOR STS 2,5
	1	TERMINAL END COVER	D-STTB 2.5 (3030459)	PHOENIX	FOR D-STTB 2,5
	3	TERMINAL END SUPPORT	CLIPFIX-5 (3022276)	PHOENIX	
CONTROLLER	1	CONTROLLER	EXIGO ARDO XXX	REGIN	
F1-F2	2	CIRCUIT BREAKER	C60/C E 21 122 12 (REGIN #7381)	MERLIN GERIN/MODERN ELTEKNIK	
RE1-RE2	2	RELAY	GY1620B5 H-O-A 24VAC	SCHNEIDER	
RE3	1	RELAY	GY1620B5 H-O-A 24VAC	SCHNEIDER	ONLY IN CAB-STD3

CABINET	CONTROLLER	ETHERNET PORT	COM. PORT 1	COM. PORT 2	PLINT	RE1-2	RE3
	TO BE ORDERED SEPARATELY						
CAB-STD2	HCA152W-4	X	RS485	-	101-104,201-208	X	-
	HCA152DW-4	X	RS485	-	218-226,233-240 249,250	X	-
CAB-STD3	HCA282DW-4	X	RS485	-	101-104,201-250	X	X
	HCA283WM-4	X	RS485	M-BUS		X	X
	HCA283DWM-4	X	RS485	M-BUS		X	X

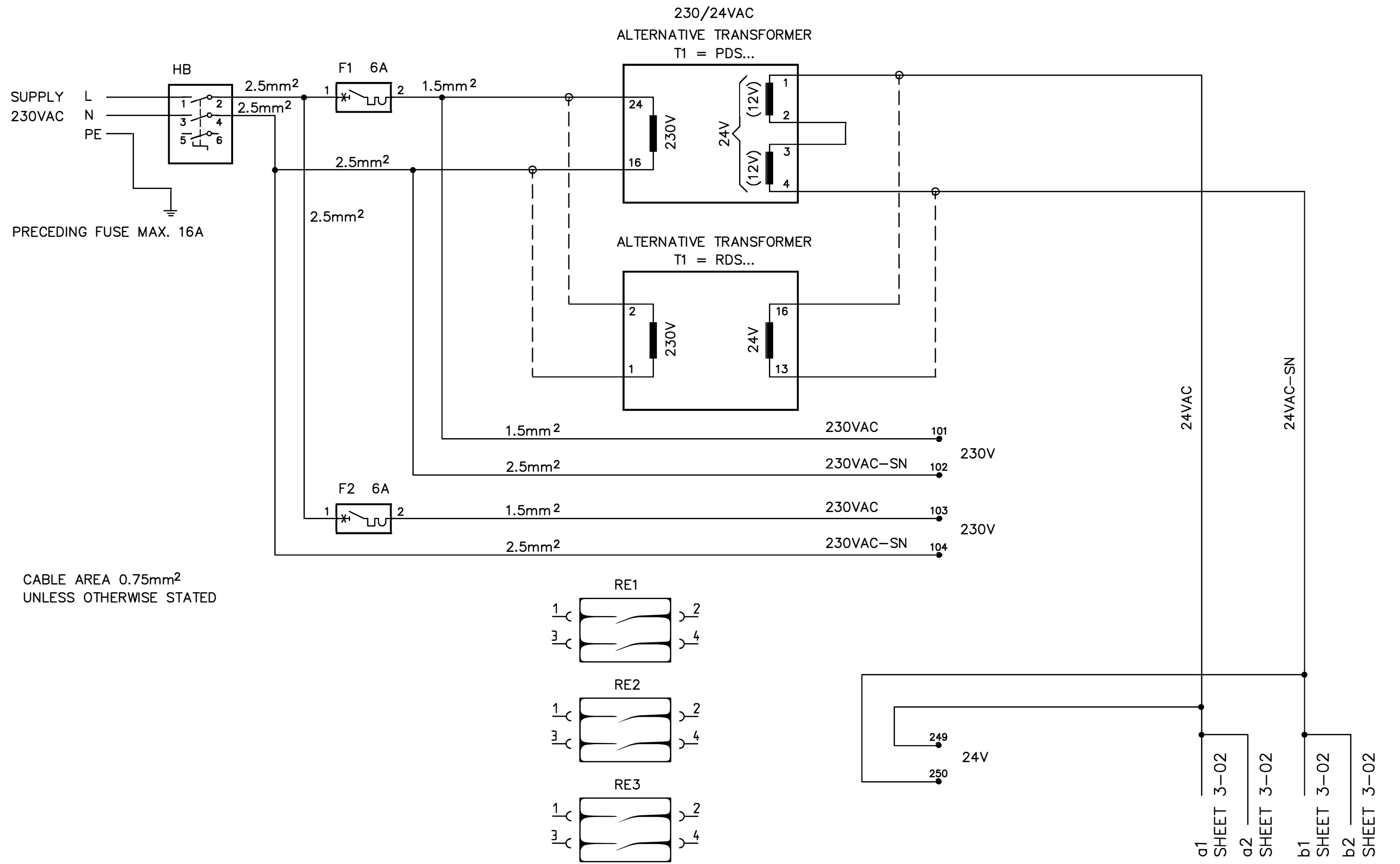


FRONT



ASSEMBLY DRAWING

				REGIN	CAB-STD2 - CAB-STD3 CABINET PARTS LIST / ASSEMBLY DRAWING	Work No. 1505C-2-01	Drawing No. 1505C	
						Handled by AB REGIN	Drawn by CGJ	Designer CGJ
						Date 2016-04-26	Sheet 2-01	Cont. on 3-01
REV.	REVISION RECORD	SIGN.	DATE					

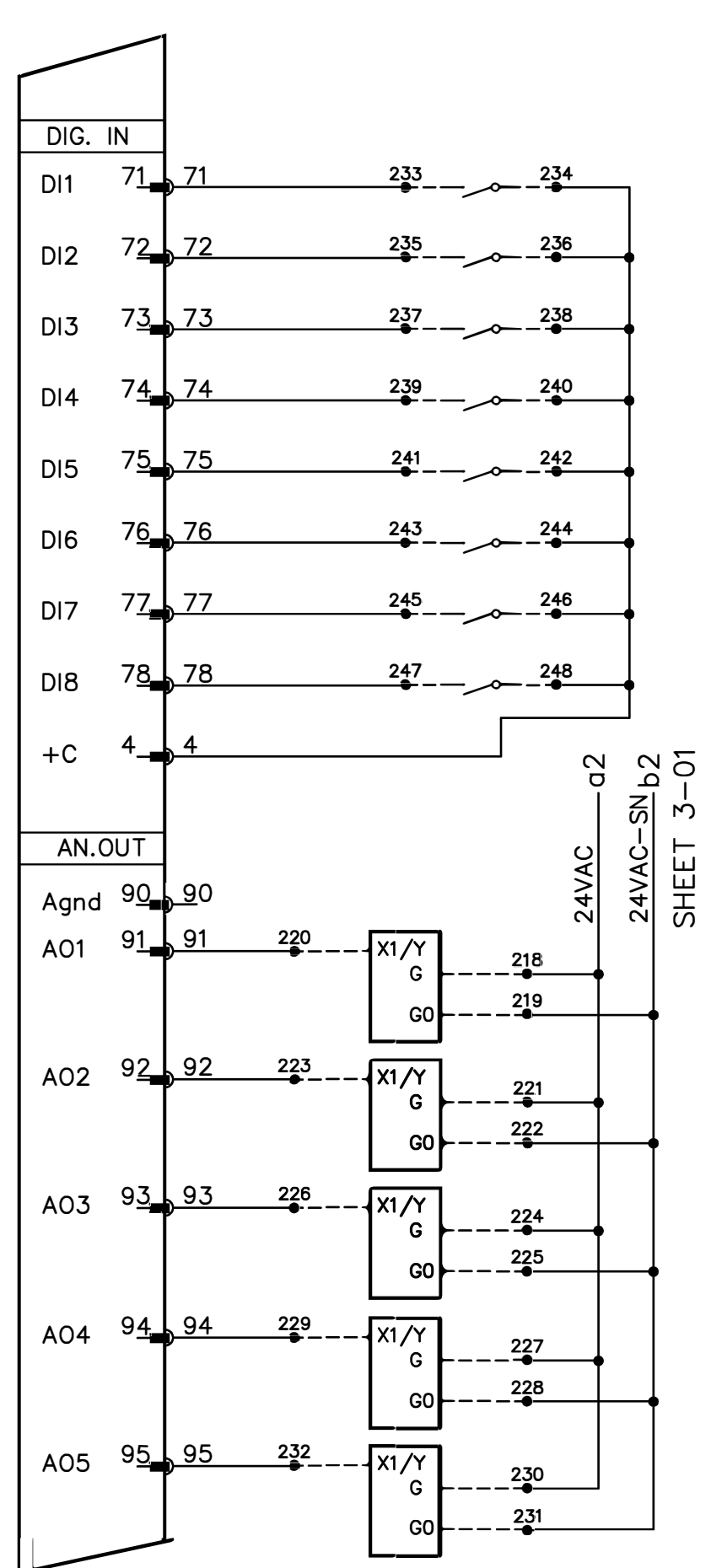
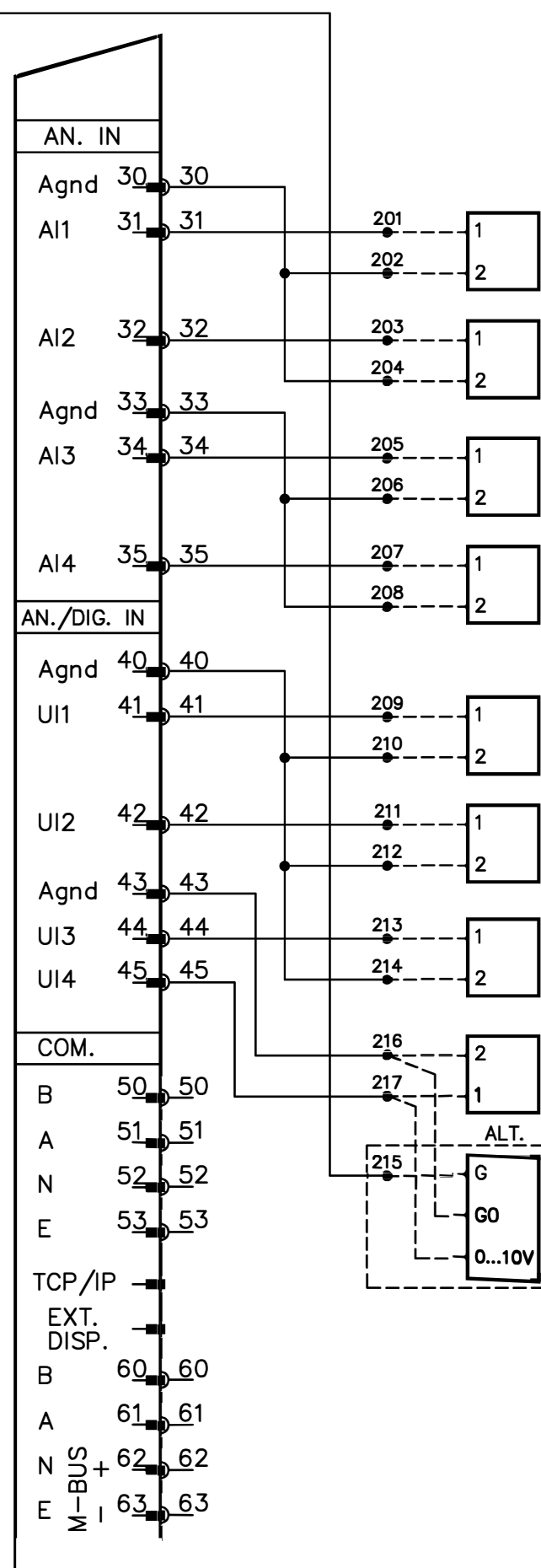
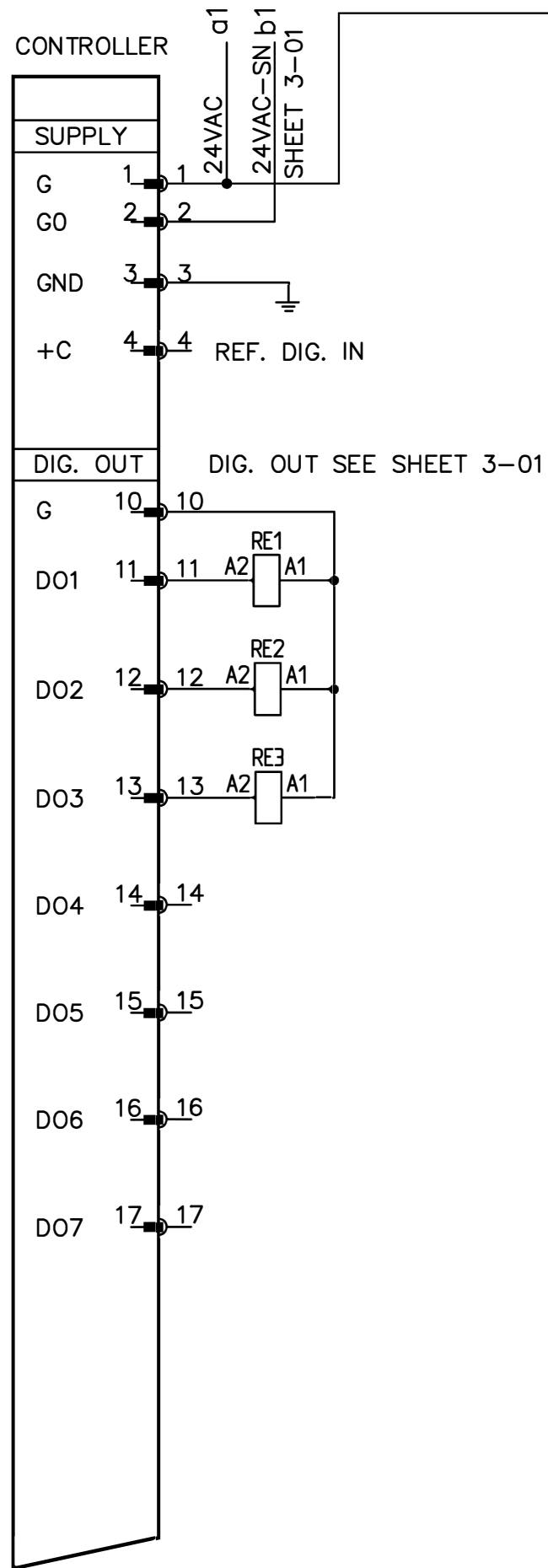


REV.	REVISION RECORD	SIGN.	DATE

REGIN

CAB-STD2 - CAB-STD3
CABINET
CIRCUIT DIAGRAM

Work No. 1505C-3-01	Drawing No. 1505C	
Handled by AB REGIN	Drawn by CGJ	Designer CGJ
Date 2016-04-26	Sheet 3-01	Cont. on 3-02

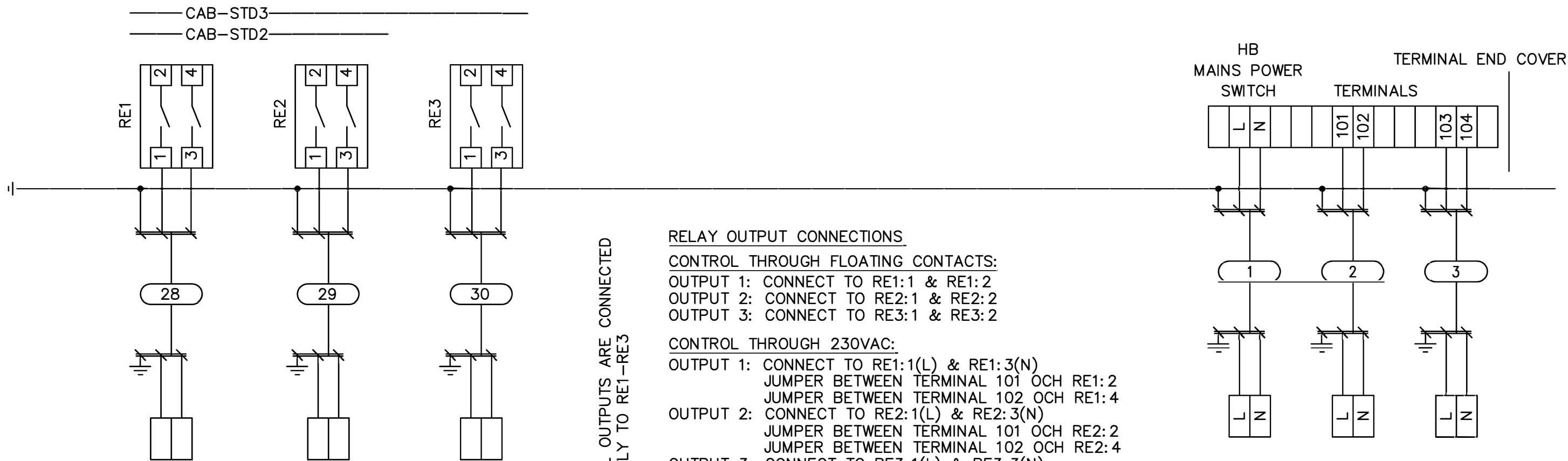


REV.	REVISION RECORD	SIGN.	DATE

REGIN

CAB-STD2 - CAB-STD3
 CABINET
 CIRCUIT DIAGRAM

Work No. 1505C-3-02	Drawing No. 1505C	
Handled by AB REGIN	Drawn by CGJ	Designer CGJ
Date 2016-04-26	Sheet 3-02	Cont. on 4-01



DIGITAL OUTPUTS ARE CONNECTED DIRECTLY TO RE1-RE3

RELAY OUTPUT CONNECTIONS

CONTROL THROUGH FLOATING CONTACTS:

- OUTPUT 1: CONNECT TO RE1:1 & RE1:2
- OUTPUT 2: CONNECT TO RE2:1 & RE2:2
- OUTPUT 3: CONNECT TO RE3:1 & RE3:2

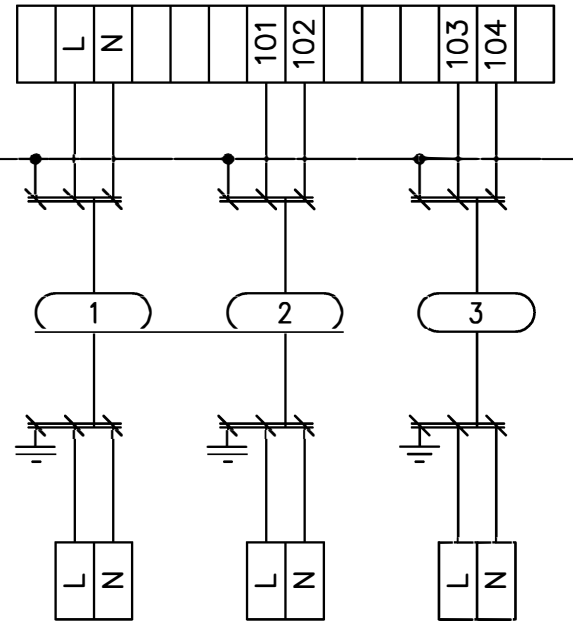
CONTROL THROUGH 230VAC:

- OUTPUT 1: CONNECT TO RE1:1(L) & RE1:3(N)
 JUMPER BETWEEN TERMINAL 101 OCH RE1:2
 JUMPER BETWEEN TERMINAL 102 OCH RE1:4
- OUTPUT 2: CONNECT TO RE2:1(L) & RE2:3(N)
 JUMPER BETWEEN TERMINAL 101 OCH RE2:2
 JUMPER BETWEEN TERMINAL 102 OCH RE2:4
- OUTPUT 3: CONNECT TO RE3:1(L) & RE3:3(N)
 JUMPER BETWEEN TERMINAL 101 OCH RE3:2
 JUMPER BETWEEN TERMINAL 102 OCH RE3:4

CONTROL THROUGH 24VAC:

- OUTPUT 1: CONNECT TO RE1:1(L) & RE1:3(N)
 JUMPER BETWEEN TERMINAL 249 OCH RE1:2
 JUMPER BETWEEN TERMINAL 250 OCH RE1:4
- OUTPUT 2: CONNECT TO RE2:1(L) & RE2:3(N)
 JUMPER BETWEEN TERMINAL 249 OCH RE2:2
 JUMPER BETWEEN TERMINAL 250 OCH RE2:4
- OUTPUT 3: CONNECT TO RE3:1(L) & RE3:3(N)
 JUMPER BETWEEN TERMINAL 249 OCH RE3:2
 JUMPER BETWEEN TERMINAL 250 OCH RE3:4

HB MAINS POWER SWITCH TERMINALS



INPUT MAINS POWER TO CABINE
 230V
 PRECEDING FUSE MAX 16A

OUTPUT 230V SUPPLY
 FOR EXTERNAL EQUIPMENT
 (230V MAX 6A)

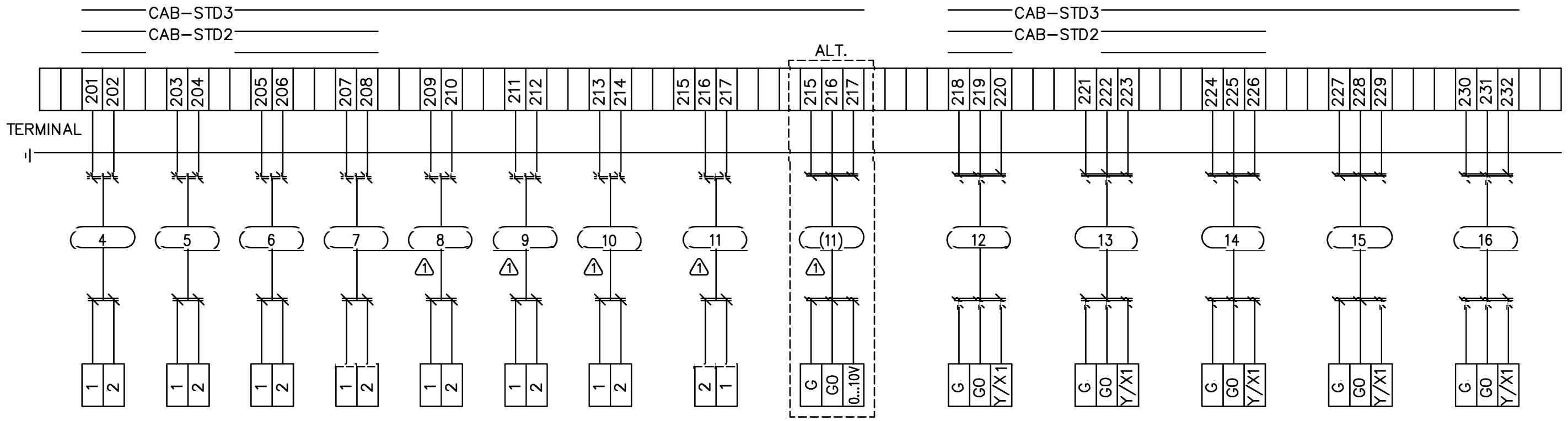
OUTPUT 230V SUPPLY
 FOR EXTERNAL EQUIPMENT
 (230V MAX 6A)

REV.	REVISION RECORD	SIGN.	DATE

REGIN

CAB-STD2 - CAB-STD3
 CABINET
 EXTERNAL CONNECTIONS

Work No. 1505C-4-01	Drawing No. 1505C	
Handled by AB REGIN	Drawn by CGJ	Designer CGJ
Date 2016-04-26	Sheet 4-01	Cont. on 4-02

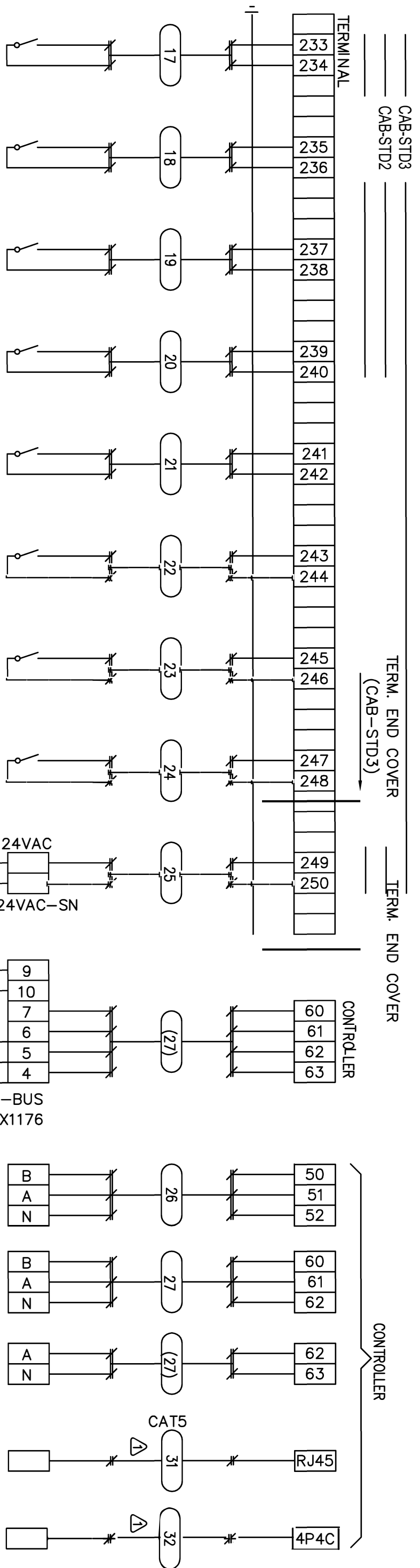


REGIN

CAB-STD2 - CAB-STD3
 CABINET
 EXTERNAL CONNECTIONS

Work No. 1505C-4-02	Drawing No. 1505C	
Handled by AB REGIN	Drawn by CGJ	Designer CGJ
Date 2016-04-26	Sheet 4-02	Cont. on 4-03

REV.	REVISION RECORD	SIGN.	DATE



OUTPUT 24VAC
FOR EXTERNAL EQUIPMENT
(MAX. 15VA)

OPTIONAL EXTERNAL
M-BUS CONVERTER
(NOT AVAILABLE IN CORRIGO)

M-BUS
METER

EXTERNAL M-BUS
CONVERTER X1176

OPTIONAL COMMUNICATION
EXOLINE/MODBUS PORT 1
(TO BE CONNECTED DIRECTLY TO THE CONTROLLER)

OPTIONAL COMMUNICATION
EXOLINE/MODBUS PORT 2
(TO BE CONNECTED DIRECTLY TO THE CONTROLLER)

OPTIONAL COMMUNICATION: BUILT IN M-BUS
(TO BE CONNECTED DIRECTLY TO THE CONTROLLER)
(NOT AVAILABLE IN CORRIGO)

OPTIONAL COMMUNICATION
ETHERNET (TCP/IP) RJ45
(TO BE CONNECTED DIRECTLY TO THE CONTROLLER)

OPTIONAL EXTERNAL DISPLAY
(TO BE CONNECTED DIRECTLY TO THE CONTROLLER)

REV.	REVISION RECORD	SIGN.	DATE

REGIN

CAB-STD2 - CAB-STD3
CABINET
EXTERNAL CONNECTIONS

Work No.	1505C-4-03	Drawing No.	1505C
Handled by	AB REGIN	Drawn by	CGJ
Date	2016-04-26	Sheet	4-03
		Designer	CGJ
		Conf. on	---