

CABINET CAB-STD2 - CAB-STD3

STANDARD DRAWING CAB-STD2 - CAB-STD3, CORRIGO ARDO 3.6

TITLE	DRAWING NO.	NUMBER OF SHEETS
LIST OF DOCUMENTS	1505C-1-01	1
PARTS LIST / ASSEMBLY DRAWING	1505C-2-01	1
CIRCUIT DIAGRAM	1505C-3-01	2
EXTERNAL CONNECTIONS	1505C-4-01	3

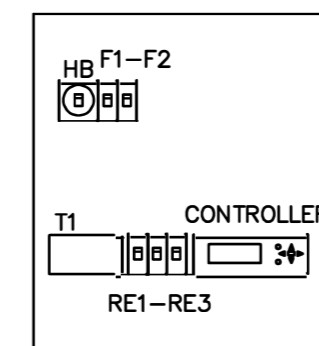
							Work No. 1505C-1-01	Drawing No. 1505C	
							Handled by AB REGIN	Drawn by CGJ	Designer CGJ
							Date 2016-04-26	Sheet 1-01	Cont. on 2-01
1	Removed CAB-STD1	KAR	20200825						
REV.	REVISION RECORD	SIGN.	DATE						

REGIN

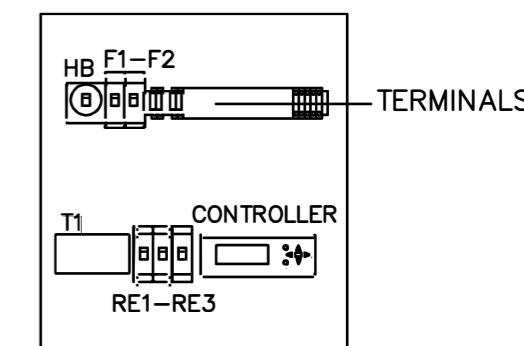
CAB-STD2 - CAB-STD3
CABINET
LIST OF DOCUMENTS

REF.	QUANTITY	DESIGNATION	TYPE / ARTICLE NUMBER	MANUFACTURER	NOTES
CAB-STD(X)	1	CABINET	DIN-RAIL CABINET KV9236	HENSEL	
HB	1	MAINS POWER SWITCH	KS3.40	ENSTO/MODERN ELTEKNIK	
T1	1	TRANSFORMER	PDS63-21224-M6P 230/2*12VAC 63VA	NORATEL	
(T1)	(1)	TRANSFORMER (ALT. TYPE)	RDS63-21224-M6P 230/24VAC 63VA	-"-	
101-102	2	TERMINAL	STS 2,5 (3036398)	PHOENIX	
103-104	2	-"-	STS 2,5	PHOENIX	
201-208	8	-"-	STS 2,5	-"-	
209-217	9	-"-	STS 2,5	-"-	ONLY IN CAB-STD3
218-226	9	-"-	STS 2,5	-"-	
227-232	6	-"-	STS 2,5	-"-	ONLY IN CAB-STD3
233-240	8	-"-	STS 2,5	-"-	ONLY IN CAB-STD2
233-240	4	-"-	STTB 2,5 (3031270)	-"-	ONLY IN CAB-STD3
241-248	4	-"-	STTB 2,5	-"-	ONLY IN CAB-STD3
249-250	2	-"-	STS 2,5	-"-	
	2	TERMINAL END COVER	D-STS 2.5 (3031762)	PHOENIX	FOR STS 2,5
	1	TERMINAL END COVER	D-STTB 2.5 (3030459)	PHOENIX	FOR D-STTB 2,5
	3	TERMINAL END SUPPORT	CLIPFIX-5 (3022276)	PHOENIX	
CONTROLLER	1	CONTROLLER	CORRIGO ARDO	REGIN	
F1-F2	2	CIRCUIT BREAKER	C60/C E 21 122 12 (REGIN #7381)	MERLIN GERIN/MODERN ELTEKNIK	
RE1-RE2	2	RELAY	GY1620B5 H-O-A 24VAC	SCHNEIDER	
RE3	1	RELAY	GY1620B5 H-O-A 24VAC	SCHNEIDER	ONLY IN CAB-STD3

CABINET	CONTROLLER	ETHERNET PORT	COM. PORT 1	COM. PORT 2	PLINT	RE1-2	RE3
	TO BE ORDERED SEPARATELY						
							-
CAB-STD2	E152DW-3	X	RS485	-	101-104,201-208	X	-
	E151DW-3	X	-	-	218-226,233-240	X	-
	E152W-3	X	RS485	-	249,250	X	-
	E151W-3	X	-	-		X	
CAB-STD3	E283DW-3	X	RS485	RS485	101-104,201-250	X	X
	E282DW-3	X	RS485	-		X	X
	E281DW-3	X	-	-		X	X
	E283W-3	X	RS485	RS485		X	X
	E282W-3	X	RS485	-		X	X
	E281W-3	X	-	-		X	X



FRONT



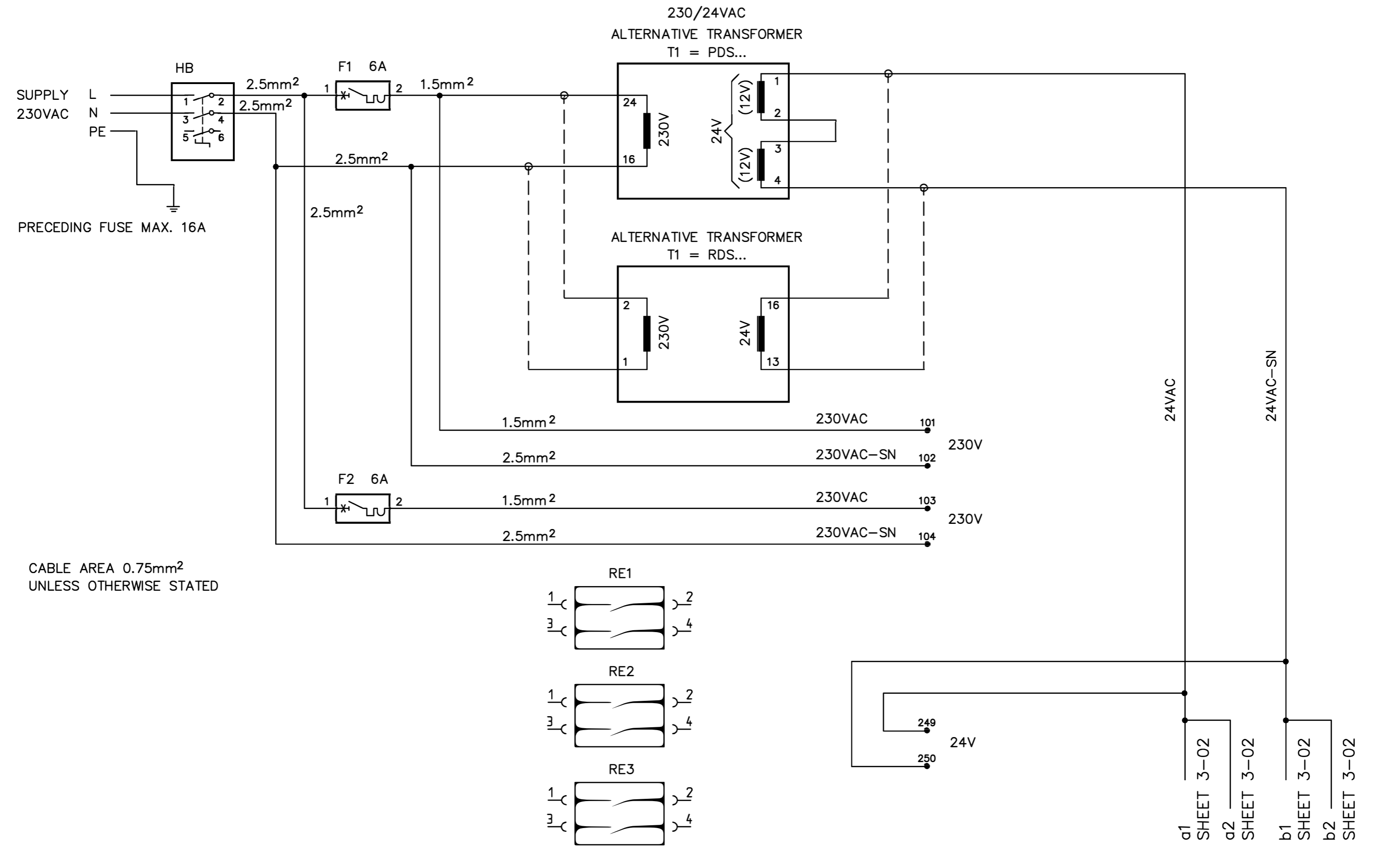
ASSEMBLY DRAWING

REV.	REVISION RECORD	SIGN.	DATE
1	Updated models and manufacturers	KAR	20200825
	Removed CAB-STD1		

REGIN

CAB-STD2 - CAB-STD3
CABINET
PARTS LIST / ASSEMBLY DRAWING

Work No. 1505C-2-01	Drawing No. 1505C	
Handled by AB REGIN	Drawn by CGJ	Designer CGJ
Date 2016-04-26	Sheet 2-01	Cont. on 3-01

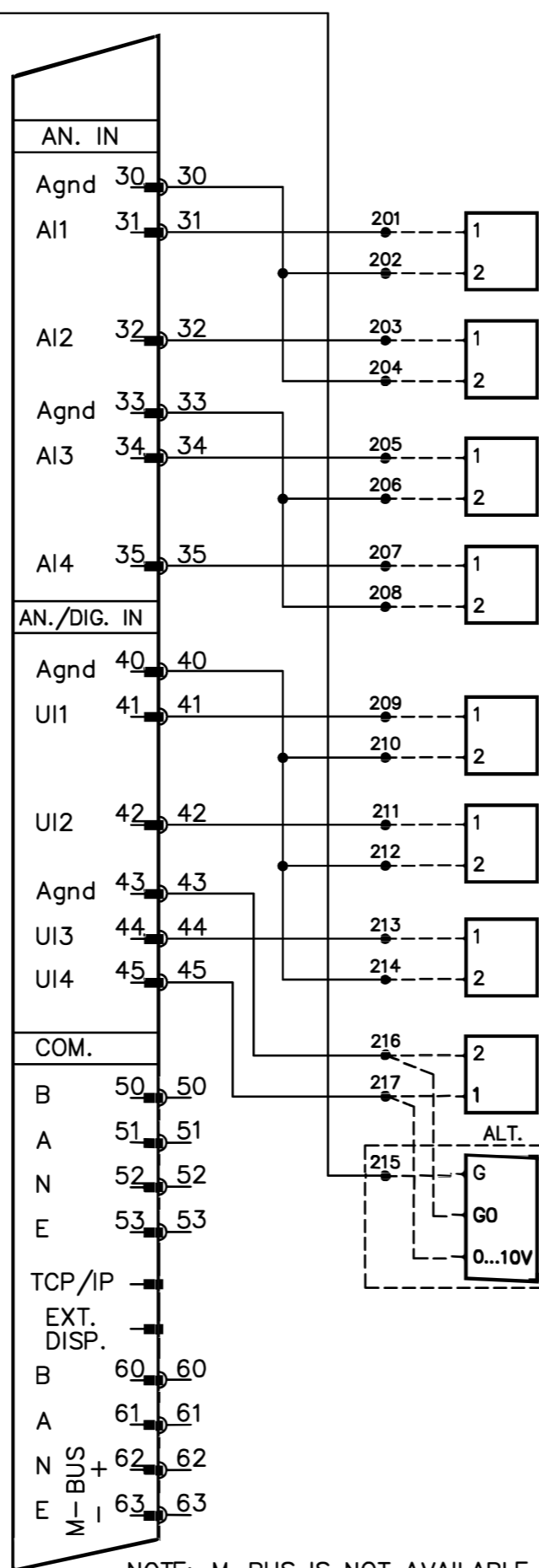
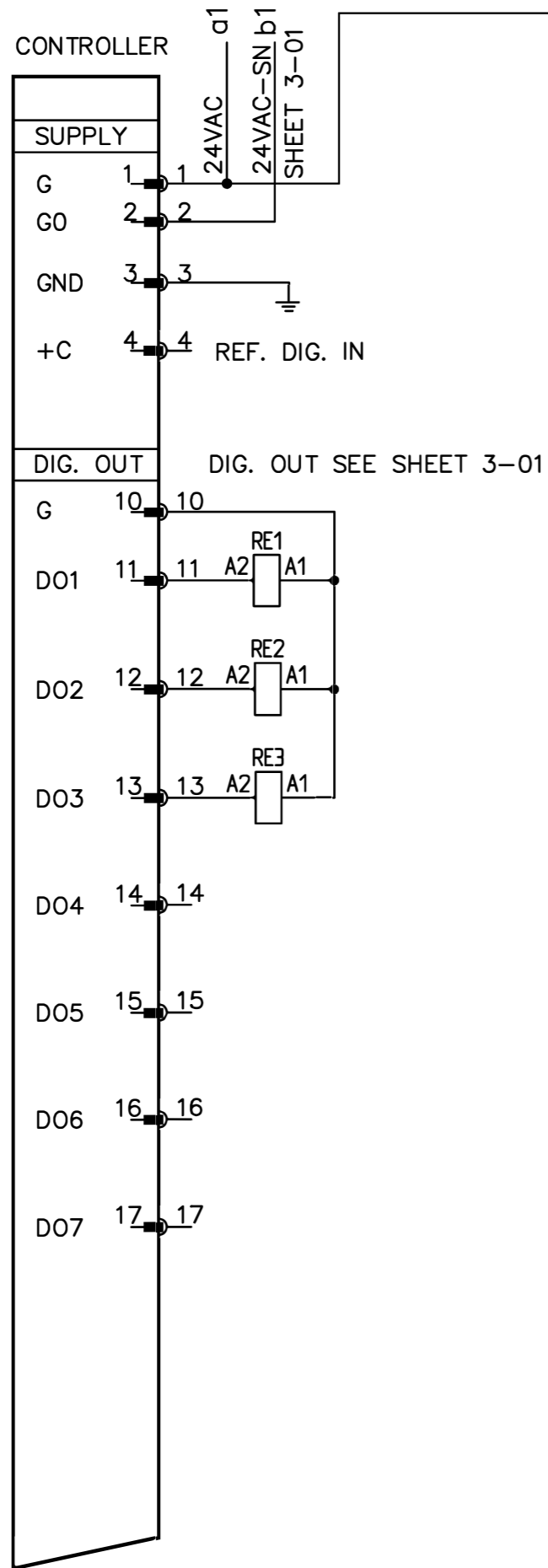


1	Removed CAB-STD1	KAR	20200825
REV.	REVISION RECORD	SIGN.	DATE

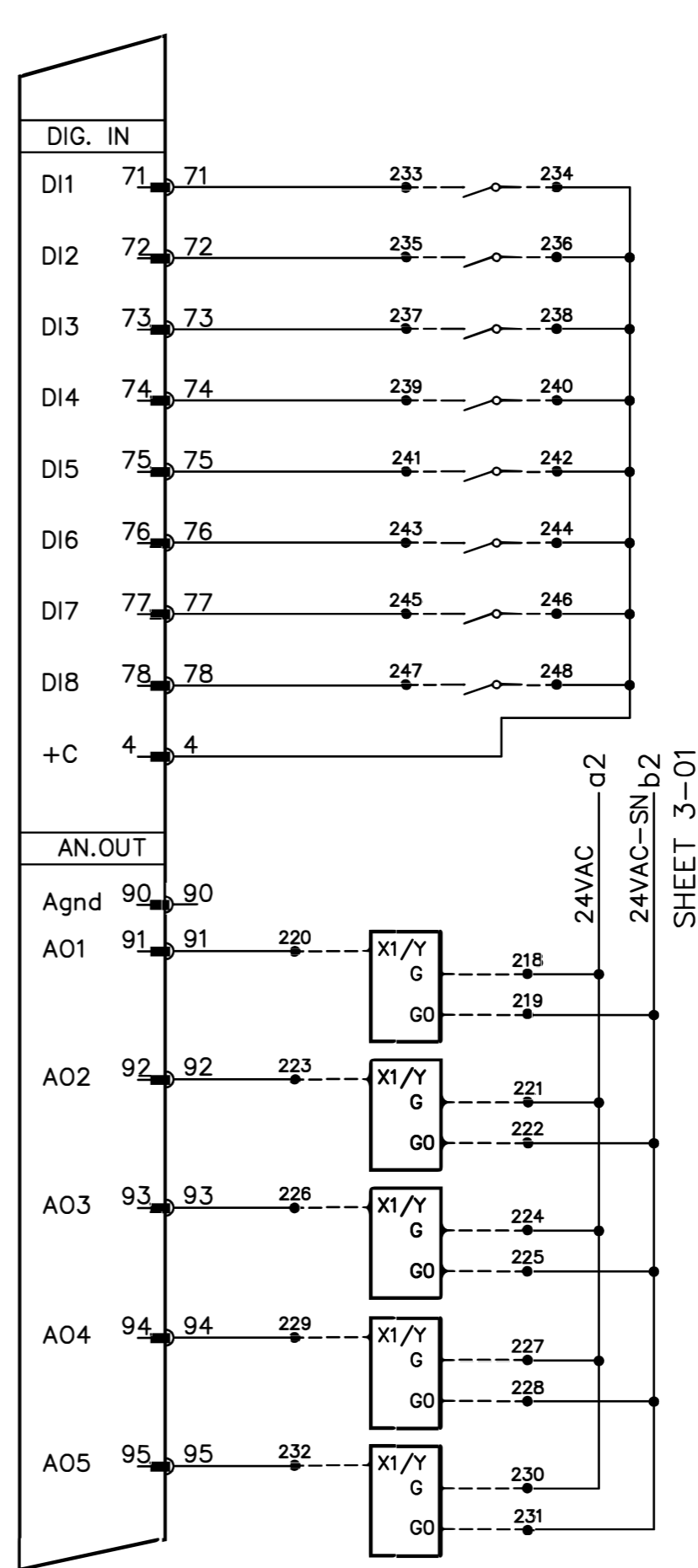
REGIN

CAB-STD2 - CAB-STD3
CABINET
CIRCUIT DIAGRAM

Work No. 1505C-3-01	Drawing No. 1505C	
Handled by AB REGIN	Drawn by CGJ	Designer CGJ
Date 2016-04-26	Sheet 3-01	Cont. on 3-02



NOTE: M-BUS IS NOT AVAILABLE IN CORRIGO

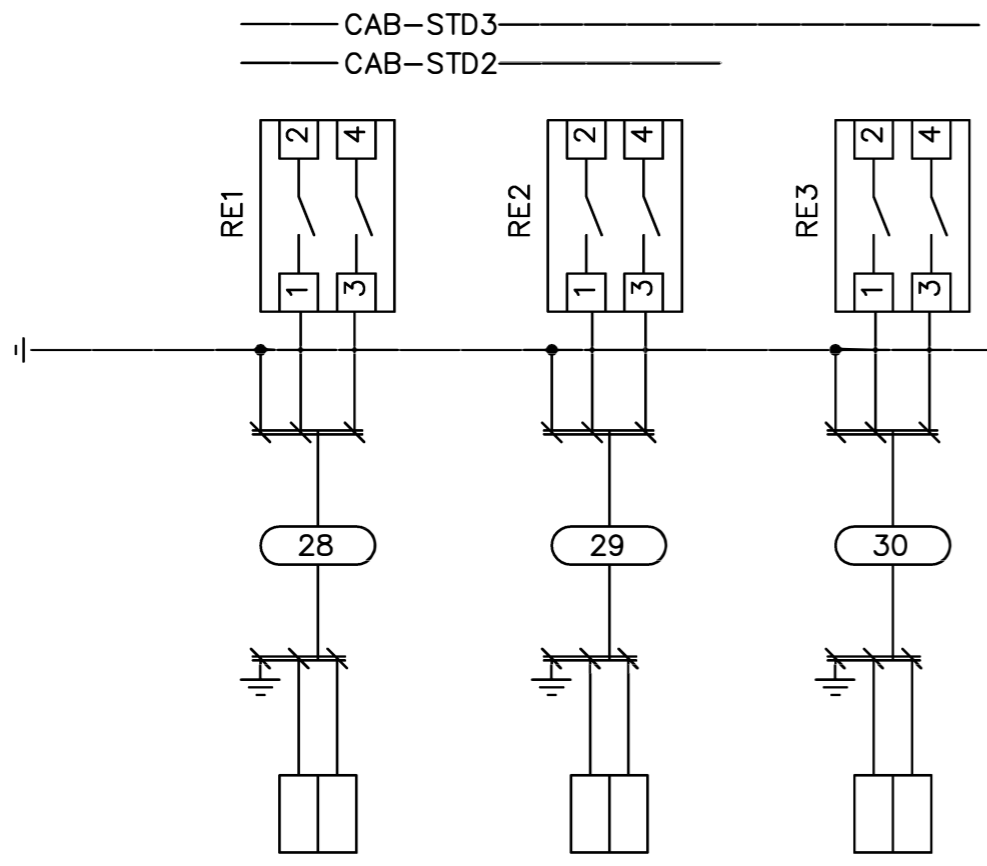


REGIN

CAB-STD2 - CAB-STD3
CABINET
CIRCUIT DIAGRAM

Work No. 1505C-3-02	Drawing No. 1505C	
Handled by AB REGIN	Drawn by CGJ	Designer CGJ
Date 2016-04-26	Sheet 3-02	Cont. on 4-01

1	Removed CAB-STD1	KAR	20200825
REV.	REVISION RECORD	SIGN.	DATE



DIGITAL OUTPUTS ARE CONNECTED DIRECTLY TO RE1-RE3

RELAY OUTPUT CONNECTIONS

CONTROL THROUGH FLOATING CONTACTS:

- OUTPUT 1: CONNECT TO RE1:1 & RE1:2
- OUTPUT 2: CONNECT TO RE2:1 & RE2:2
- OUTPUT 3: CONNECT TO RE3:1 & RE3:2

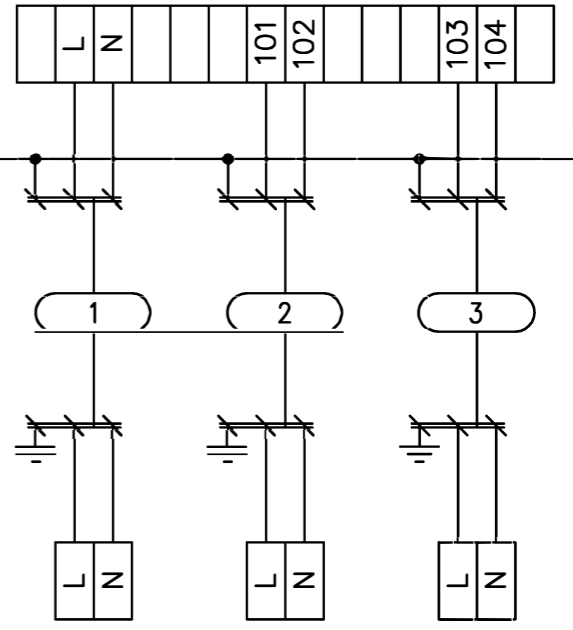
CONTROL THROUGH 230VAC:

- OUTPUT 1: CONNECT TO RE1:1(L) & RE1:3(N)
 JUMPER BETWEEN TERMINAL 101 OCH RE1:2
 JUMPER BETWEEN TERMINAL 102 OCH RE1:4
- OUTPUT 2: CONNECT TO RE2:1(L) & RE2:3(N)
 JUMPER BETWEEN TERMINAL 101 OCH RE2:2
 JUMPER BETWEEN TERMINAL 102 OCH RE2:4
- OUTPUT 3: CONNECT TO RE3:1(L) & RE3:3(N)
 JUMPER BETWEEN TERMINAL 101 OCH RE3:2
 JUMPER BETWEEN TERMINAL 102 OCH RE3:4

CONTROL THROUGH 24VAC:

- OUTPUT 1: CONNECT TO RE1:1(L) & RE1:3(N)
 JUMPER BETWEEN TERMINAL 249 OCH RE1:2
 JUMPER BETWEEN TERMINAL 250 OCH RE1:4
- OUTPUT 2: CONNECT TO RE2:1(L) & RE2:3(N)
 JUMPER BETWEEN TERMINAL 249 OCH RE2:2
 JUMPER BETWEEN TERMINAL 250 OCH RE2:4
- OUTPUT 3: CONNECT TO RE3:1(L) & RE3:3(N)
 JUMPER BETWEEN TERMINAL 249 OCH RE3:2
 JUMPER BETWEEN TERMINAL 250 OCH RE3:4

HB MAINS POWER SWITCH TERMINALS



INPUT MAINS POWER TO CABINE
 230V
 PRECEDING FUSE MAX 16A

OUTPUT 230V SUPPLY
 FOR EXTERNAL EQUIPMENT
 (230V MAX 6A)

OUTPUT 230V SUPPLY
 FOR EXTERNAL EQUIPMENT
 (230V MAX 6A)

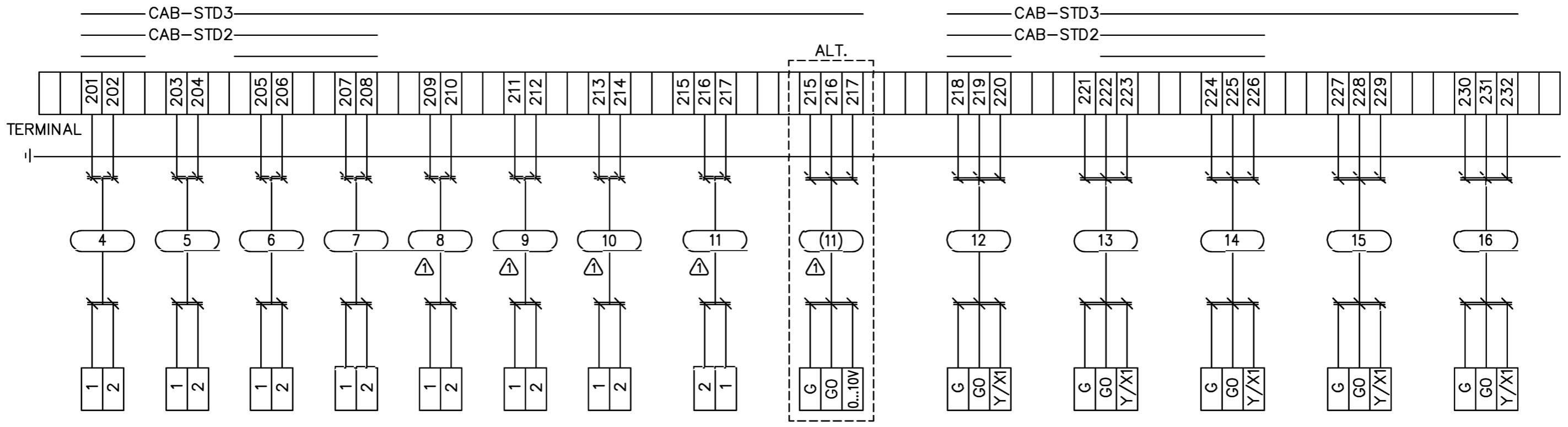
1	Removed CAB-STD1	KAR	20200825
REV.	REVISION RECORD	SIGN.	DATE

REGIN

CAB-STD2 - CAB-STD3
 CABINET

Work No. 1505C-4-01	Drawing No. 1505C	
Handled by AB REGIN	Drawn by CGJ	Designer CGJ
Date 2016-04-26	Sheet 4-01	Cont. on 4-02

EXTERNAL CONNECTIONS

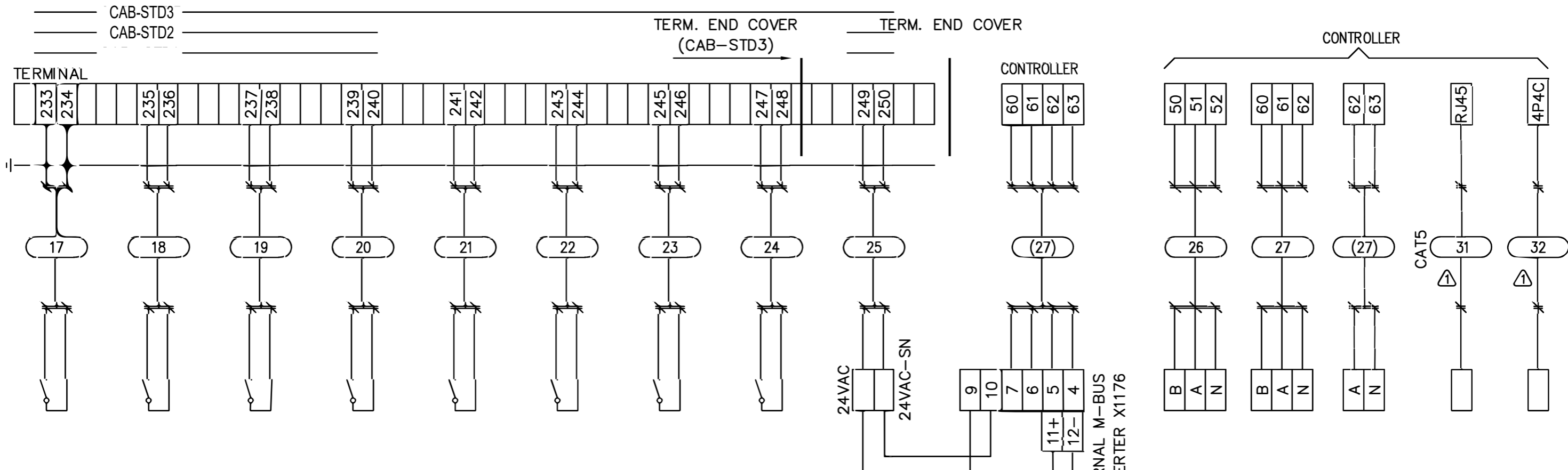


2	Removed CAB-STD1	KAR	20200825
⚠	CABLES RENUMBERED (8 WERE 7, 9 WERE 8 etc.)	BOB	20160426
REV.	REVISION RECORD	SIGN.	DATE

REGIN

CAB-STD2 - CAB-STD3
CABINET
EXTERNAL CONNECTIONS

Work No. 1505C-4-02	Drawing No. 1505C	
Handled by AB REGIN	Drawn by CGJ	Designer CGJ
Date 2016-04-26	Sheet 4-02	Cont. on 4-03



OUTPUT 24VAC
FOR EXTERNAL EQUIPMENT
(MAX. 15VA)

OPTIONAL EXTERNAL
M-BUS CONVERTER
(NOT AVAILABLE IN CORRIGO)

OPTIONAL COMMUNICATION
EXOLINE/MODBUS PORT 1
(TO BE CONNECTED DIRECTLY TO THE CONTROLLER)

OPTIONAL COMMUNICATION
EXOLINE/MODBUS PORT 2
(TO BE CONNECTED DIRECTLY TO THE CONTROLLER)

OPTIONAL COMMUNICATION: BUILT IN M-BUS
(TO BE CONNECTED DIRECTLY TO THE CONTROLLER)
(NOT AVAILABLE IN CORRIGO)

OPTIONAL COMMUNICATION
ETHERNET (TCP/IP) RJ45
(TO BE CONNECTED DIRECTLY TO THE CONTROLLER)

OPTIONAL EXTERNAL DISPLAY
(TO BE CONNECTED DIRECTLY TO THE CONTROLLER)

2	Removed CAB-STD1	KAR	20200825
⚠	CABLES RENUMBERED (31 WERE 28, 32 WERE 29)	BOB	20160426
REV.	REVISION RECORD	SIGN.	DATE

REGIN

CAB-STD2- CAB-STD3
CABINET
EXTERNAL CONNECTIONS

Work No. 1505C-4-03	Drawing No. 1505C	
Handled by AB REGIN	Drawn by CGJ	Designer CGJ
Date 2016-04-26	Sheet 4-03	Cont. on --