

CABINET CAB-STD1 - CAB-STD3

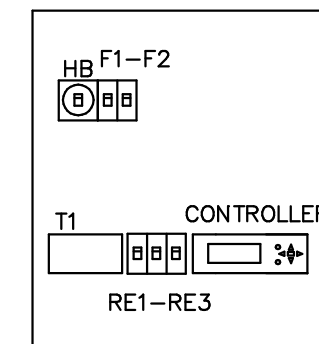
STANDARD DRAWING CAB-STD1 - CAB-STD3, CORRIG / EXOcompact xxx-3

TITLE	DRAWING NO.	NUMBER OF SHEETS
LIST OF DOCUMENTS	1505C-1-01	1
PARTS LIST / ASSEMBLY DRAWING	1505C-2-01	1
CIRCUIT DIAGRAM	1505C-3-01	2
EXTERNAL CONNECTIONS	1505C-4-01	3

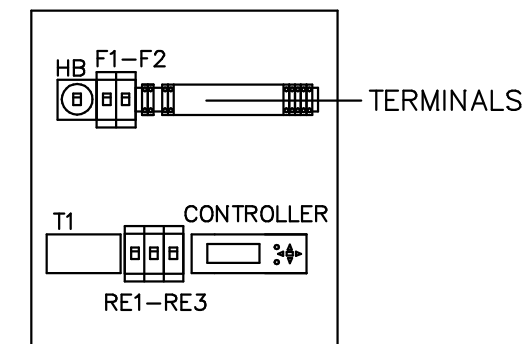
				REGIN	CAB-STD1 - CAB-STD3 CABINET LIST OF DOCUMENTS	Work No. 1505C-1-01	Drawing No. 1505C	
						Handled by AB REGIN	Drawn by CGJ	Designer CGJ
						Date 2016-04-26	Sheet 1-01	Cont. on 2-01
REV.	REVISION RECORD	SIGN.	DATE					

REF.	QUANTITY	DESIGNATION	TYPE / ARTICLE NUMBER	MANUFACTURER	NOTES
CAB-STD(X)	1	CABINET	DIN-RAIL CABINET KV9236	HENSEL	
HB	1	MAINS POWER SWITCH	KS3.40	ENSTO	
T1	1	TRANSFORMER	PDS63-21224-M6P 230/2*12VAC 63VA	NORATEL	
(T1)	(1)	TRANSFORMER (ALT. TYPE)	RDS63-21224-M6P 230/24VAC 63VA	-"-	
101-102	2	TERMINAL	STS 2,5 (3036398)	PHOENIX	
103-104	2	-"-	STS 2,5	PHOENIX	NOT IN CAB-STD1
201-208	8	-"-	STS 2,5	-"-	
209-217	9	-"-	STS 2,5	-"-	ONLY IN CAB-STD3
218-226	9	-"-	STS 2,5	-"-	
227-232	6	-"-	STS 2,5	-"-	ONLY IN CAB-STD3
233-240	8	-"-	STS 2,5	-"-	ONLY IN CAB-STD1 AND CAB-STD2
233-240	4	-"-	STTB 2,5 (3031270)	-"-	ONLY IN CAB-STD3
241-248	4	-"-	STTB 2,5	-"-	ONLY IN CAB-STD3
249-250	2	-"-	STS 2,5	-"-	
	2	TERMINAL END COVER	D-STTS 2.5 (3031762)	PHOENIX	FOR STS 2,5
	1	TERMINAL END COVER	D-STTB 2.5 (3030459)	PHOENIX	FOR D-STTB 2,5
	3	TERMINAL END SUPPORT	CLIPFIX-5 (3022276)	PHOENIX	
CONTROLLER	1	CONTROLLER	CORRIGO XXX / EXOCOMPACT XXX	REGIN	
F1-F2	2	CIRCUIT BREAKER	C60/C E 21 122 12 (REGIN #7381)	MERLIN GERIN	NOT IN CAB-STD1
RE1-RE2	2	RELAY	GY1620B5 H-O-A 24VAC	SCHNEIDER	ONLY IN CAB-STD2 AND CAB-STD3
RE3	1	RELAY	GY1620B5 H-O-A 24VAC	SCHNEIDER	ONLY IN CAB-STD3

CABINET	CONTROLLER	ETHERNET PORT	COM. PORT 1	COM. PORT 2	PLINT	RE1-2	RE3
	TO BE ORDERED SEPARATELY						
CAB-STD1		X	RS485	-	101,102,201-208 218-226,233-240 249,250	-	-
CAB-STD2	E152DW-3	X	RS485	-	101-104,201-208 218-226,233-240 249,250	X	-
	E151DW-3	X	-	-		X	-
	E151D-3	-	RS485	-		X	-
	E152DWM-3 *)	X	-	M-BUS		X	-
CAB-STD3	E283DW-3	X	RS485	RS485	101-104,201-250	X	X
	E282DW-3	X	RS485	-		X	X
	E281DW-3	X	-	-		X	X
	E281D-3	-	RS485	-		X	X
	E283DWM-3 *)	X	RS485	M-BUS		X	X
	E282DWM-3 *)	X	-	M-BUS		X	X



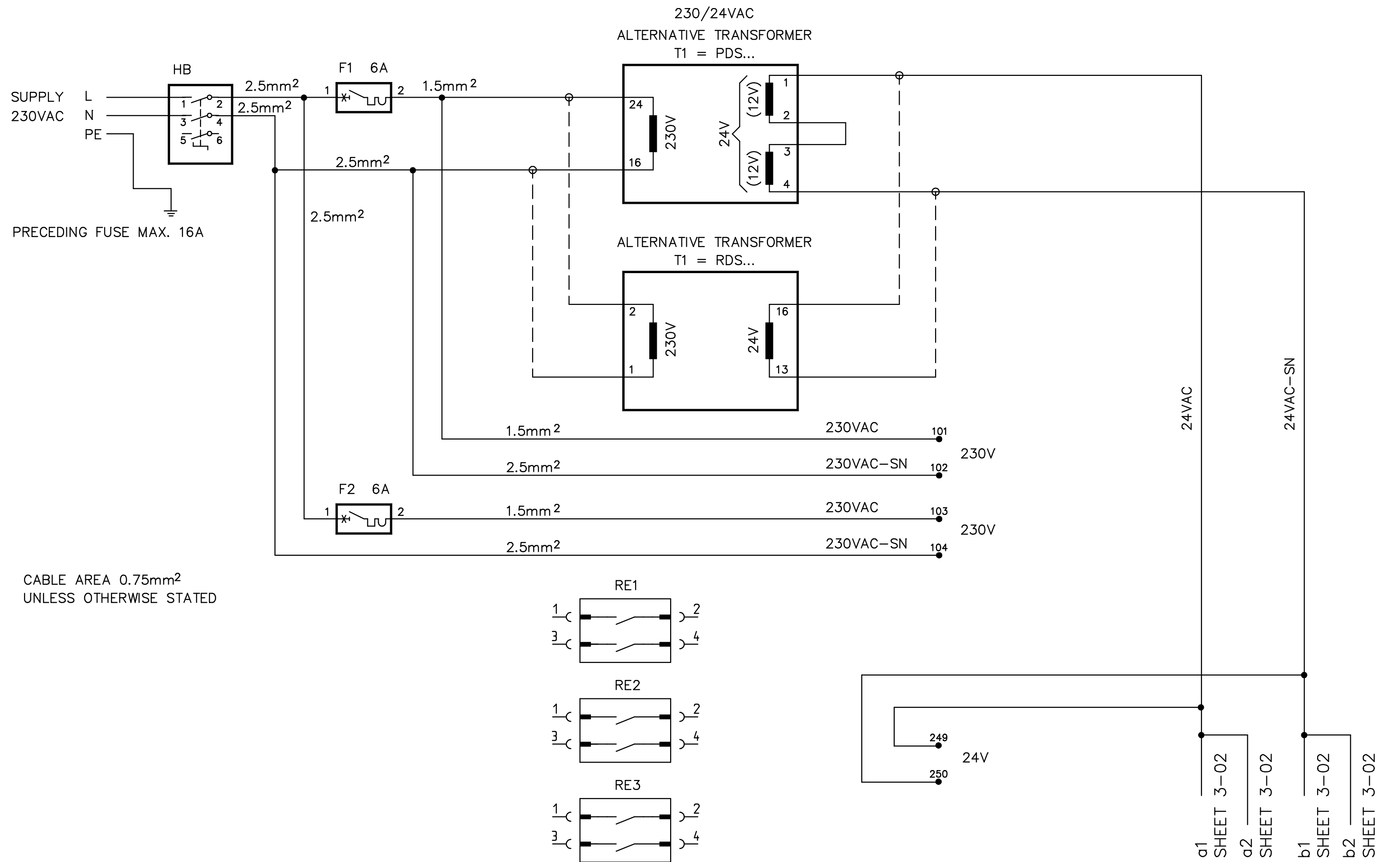
FRONT



ASSEMBLY DRAWING

*) NOT AVAILABLE IN CORRIGO VENT.

				REGIN		CAB-STD1 - CAB-STD3 CABINET PARTS LIST / ASSEMBLY DRAWING		Work No. 1505C-2-01		Drawing No. 1505C	
								Handled by AB REGIN		Drawn by CGJ	Designer CGJ
								Date 2016-04-26		Sheet 2-01	Cont. on 3-01
REV.	REVISION RECORD			SIGN.	DATE						

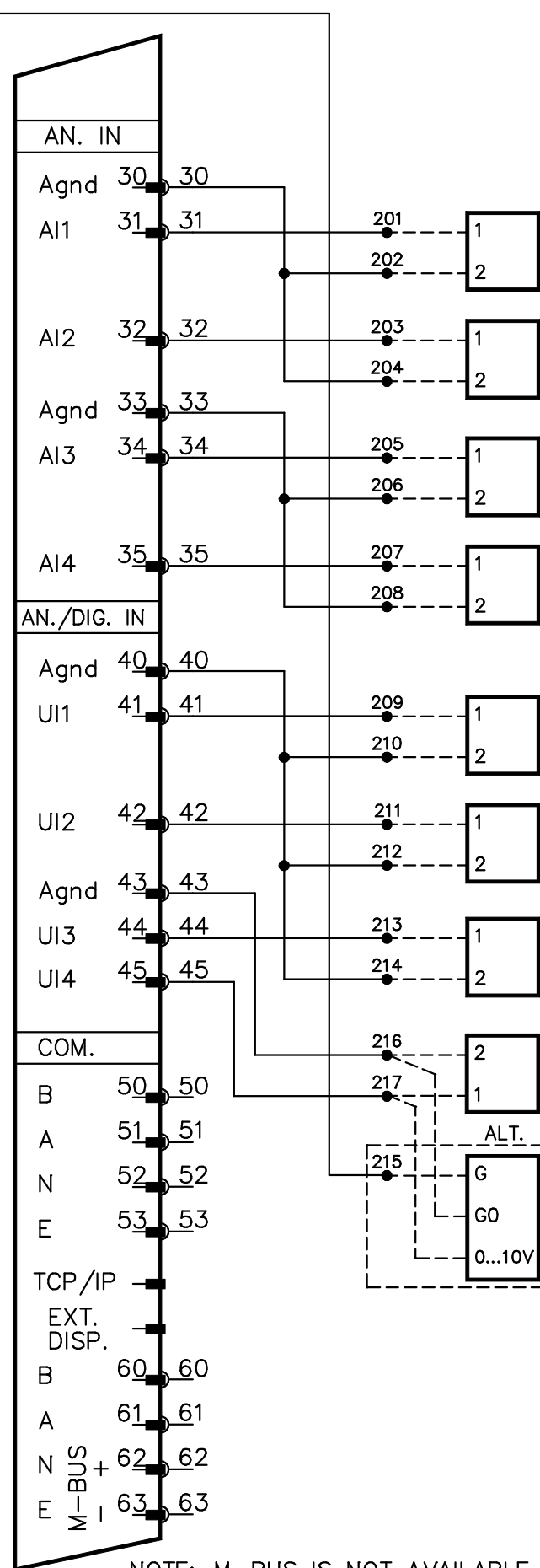
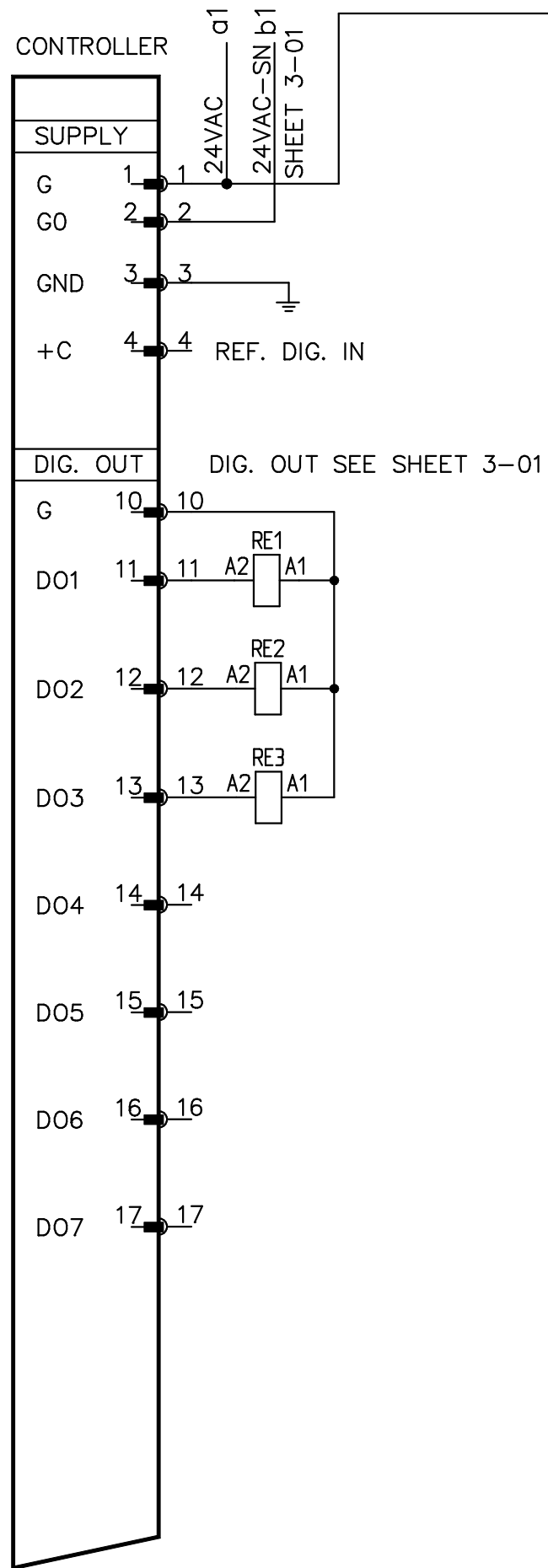


REV.	REVISION RECORD	SIGN.	DATE

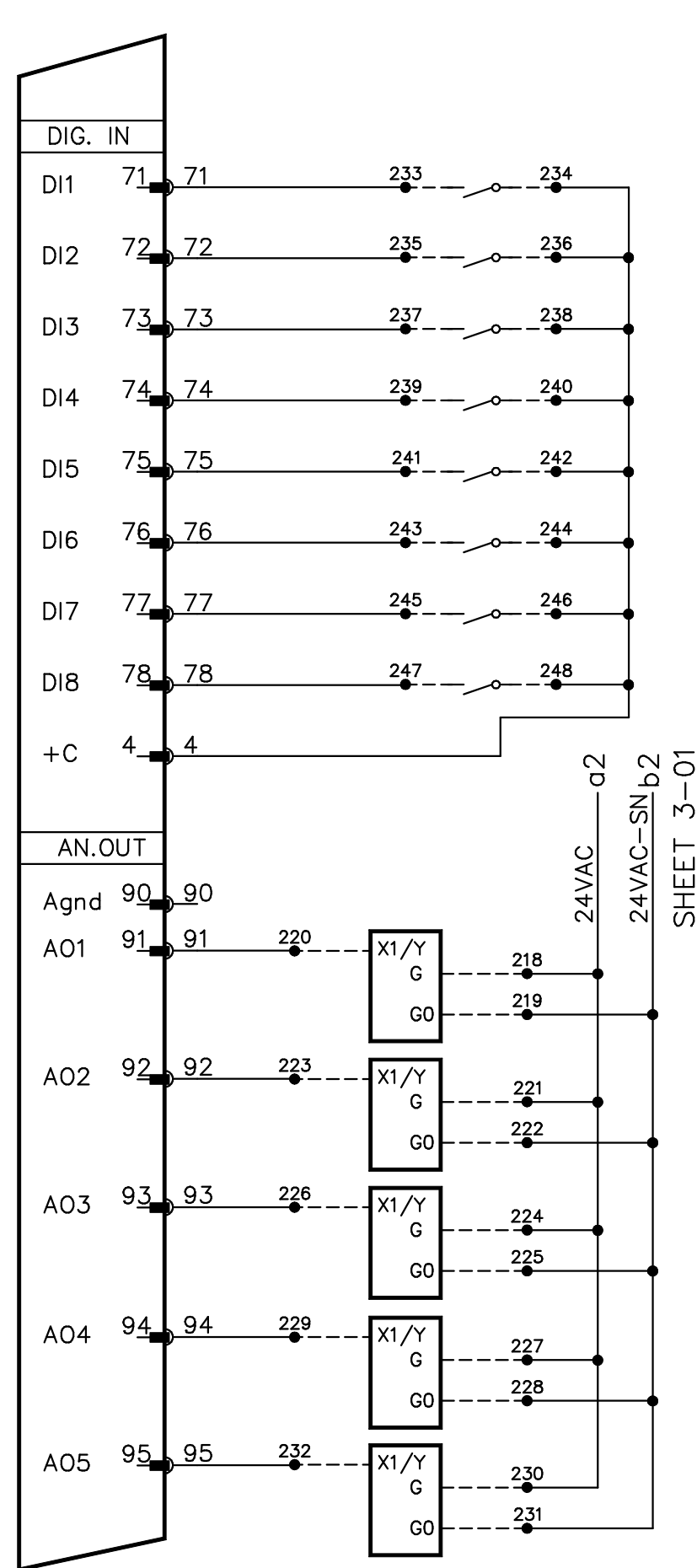
REGIN

CAB-STD1 - CAB-STD3
CABINET
CIRCUIT DIAGRAM

Work No. 1505C-3-01	Drawing No. 1505C	
Handled by AB REGIN	Drawn by CGJ	Designer CGJ
Date 2016-04-26	Sheet 3-01	Cont. on 3-02



NOTE: M-BUS IS NOT AVAILABLE IN CORRIGO VENT.

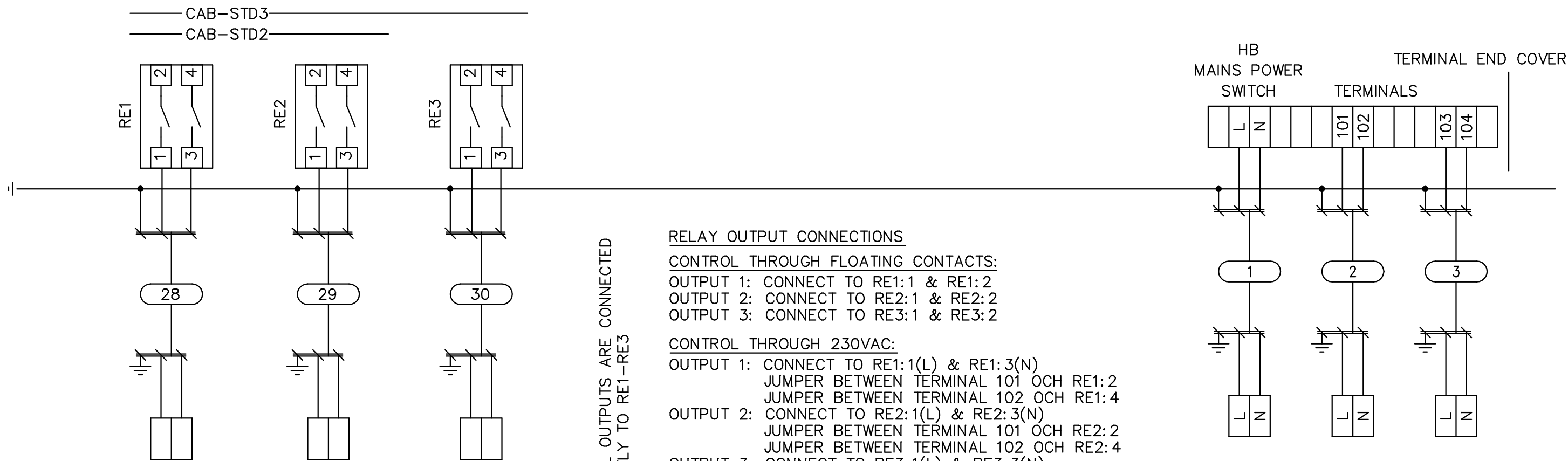


REV.	REVISION RECORD	SIGN.	DATE

REGIN

CAB-STD1 - CAB-STD3
CABINET
CIRCUIT DIAGRAM

Work No. 1505C-3-02	Drawing No. 1505C	
Handled by AB REGIN	Drawn by CGJ	Designer CGJ
Date 2016-04-26	Sheet 3-02	Cont. on 4-01



DIGITAL OUTPUTS ARE CONNECTED DIRECTLY TO RE1-RE3

RELAY OUTPUT CONNECTIONS

CONTROL THROUGH FLOATING CONTACTS:

- OUTPUT 1: CONNECT TO RE1:1 & RE1:2
- OUTPUT 2: CONNECT TO RE2:1 & RE2:2
- OUTPUT 3: CONNECT TO RE3:1 & RE3:2

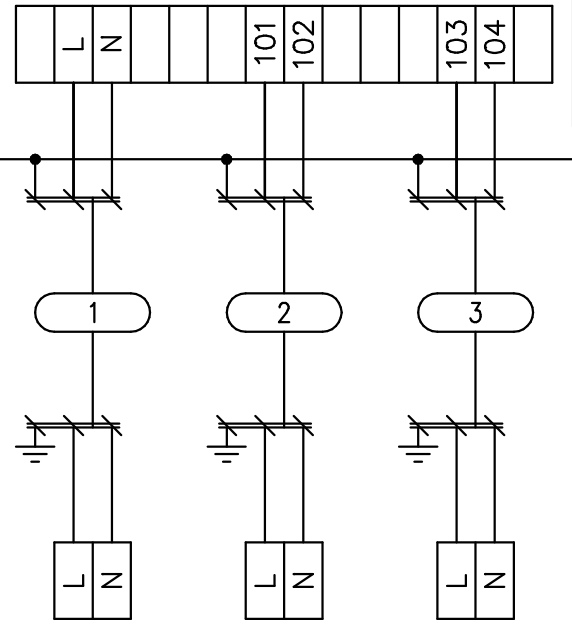
CONTROL THROUGH 230VAC:

- OUTPUT 1: CONNECT TO RE1:1(L) & RE1:3(N)
 JUMPER BETWEEN TERMINAL 101 OCH RE1:2
 JUMPER BETWEEN TERMINAL 102 OCH RE1:4
- OUTPUT 2: CONNECT TO RE2:1(L) & RE2:3(N)
 JUMPER BETWEEN TERMINAL 101 OCH RE2:2
 JUMPER BETWEEN TERMINAL 102 OCH RE2:4
- OUTPUT 3: CONNECT TO RE3:1(L) & RE3:3(N)
 JUMPER BETWEEN TERMINAL 101 OCH RE3:2
 JUMPER BETWEEN TERMINAL 102 OCH RE3:4

CONTROL THROUGH 24VAC:

- OUTPUT 1: CONNECT TO RE1:1(L) & RE1:3(N)
 JUMPER BETWEEN TERMINAL 249 OCH RE1:2
 JUMPER BETWEEN TERMINAL 250 OCH RE1:4
- OUTPUT 2: CONNECT TO RE2:1(L) & RE2:3(N)
 JUMPER BETWEEN TERMINAL 249 OCH RE2:2
 JUMPER BETWEEN TERMINAL 250 OCH RE2:4
- OUTPUT 3: CONNECT TO RE3:1(L) & RE3:3(N)
 JUMPER BETWEEN TERMINAL 249 OCH RE3:2
 JUMPER BETWEEN TERMINAL 250 OCH RE3:4

HB MAINS POWER SWITCH
 TERMINAL END COVER
 TERMINALS



INPUT MAINS POWER TO CABINE
 230V
 PRECEDING FUSE MAX 16A

OUTPUT 230V SUPPLY
 FOR EXTERNAL EQUIPMENT
 (230V MAX 6A)

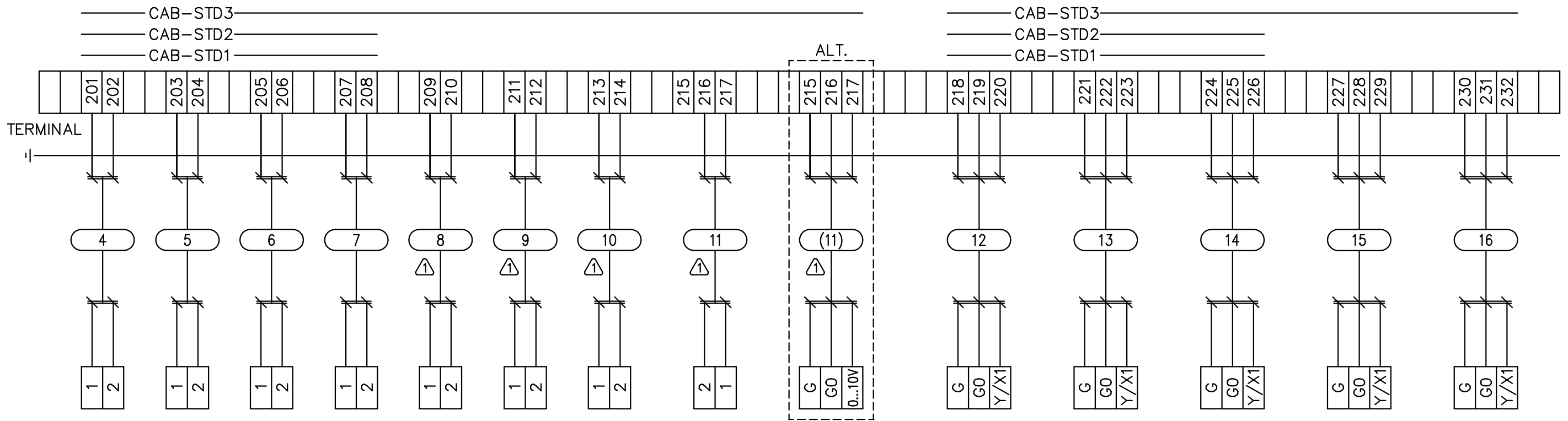
OUTPUT 230V SUPPLY
 FOR EXTERNAL EQUIPMENT
 (230V MAX 6A)

REV.	REVISION RECORD	SIGN.	DATE

REGIN

CAB-STD1 - CAB-STD3
 CABINET
 EXTERNAL CONNECTIONS

Work No. 1505C-4-01	Drawing No. 1505C	
Handled by AB REGIN	Drawn by CGJ	Designer CGJ
Date 2016-04-26	Sheet 4-01	Cont. on 4-02

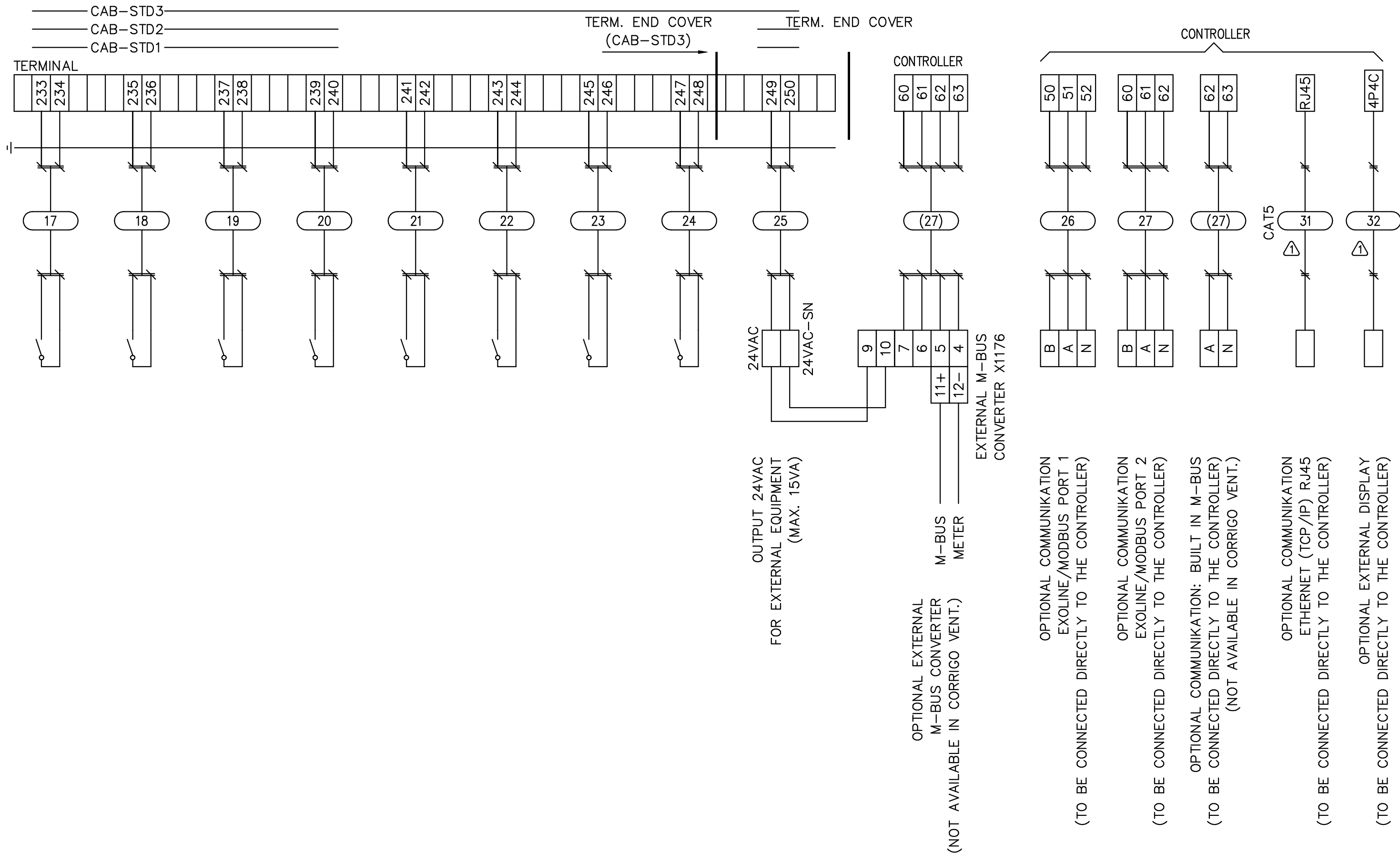


REGIN

CAB-STD1 - CAB-STD3
 CABINET
 EXTERNAL CONNECTIONS

Work No. 1505C-4-02	Drawing No. 1505C	
Handled by AB REGIN	Drawn by CGJ	Designer CGJ
Date 2016-04-26	Sheet 4-02	Cont. on 4-03

△	CABLES RENUMBERED (8 WERE 7, 9 WERE 8 etc.)	BOB	20160426
REV.	REVISION RECORD	SIGN.	DATE



⚠	CABLES RENUMBERED (31 WERE 28, 32 WERE 29)	BOB	20160426
REV.	REVISION RECORD	SIGN.	DATE

REGIN

CAB-STD1 - CAB-STD3
CABINET
EXTERNAL CONNECTIONS

Work No. 1505C-4-03	Drawing No. 1505C	
Handled by AB REGIN	Drawn by CGJ	Designer CGJ
Date 2016-04-26	Sheet 4-03	Cont. on --