

# EXOcompact Vido

Freely programmable controllers



*EXOcompact Vido is a 230 V AC freely programmable controller especially suitable for heating applications. It provides built-in communication via EXOline, Modbus or BACnet for integration into EXOscada or other SCADA systems. It can be used either as a stand-alone unit or as part of a larger system.*

- ✓ Seven 230 V AC digital relay outputs
- ✓ Suitable for many applications, especially heating and boiler control
- ✓ Small and compact controller
- ✓ Large number of communication possibilities
- ✓ Several protocols available

## Application

The controllers are primarily intended for use in installations with a limited number of I/O:s, placing a high importance on a freely programmable, compact controller providing both communication capabilities and high performance. They can be used either as stand-alone units or together with other EXO products as part of a larger automation system. In large automation systems, EXOcompact Vido makes an excellent complement to other EXO controllers, being ideally suited for localised tasks such as control of heating and ventilation applications.

## Function

The EXOcompact Vido series of controllers is available with one Ethernet, one RS485 and one M-Bus port. It has seven 230 V AC digital relay outputs suitable for heating and boiler control. This together with the freely programmable environment gives full flexibility for any complex application.

The controller supports BACnet/IP, Modbus TCP/IP, and EXOline-TCP communication via the Ethernet port. Furthermore, the controller supports Modbus master/slave, EXOline master/slave and EFX master communication via the RS485 ports, as well as M-Bus. The controllers are fully compatible with other products in the EXO-range and are freely programmable in EXOdesigner, the same environment used for all other EXO controllers.

## Installation

The controller can be mounted onto a DIN-rail or, if using a mounting kit, in a front panel. The controller fits into a standard EURO norm cabinet.

It is possible to use both an internal and an external display at the same time. The controllers have a quick connection for installations requiring an external display. The maximum permitted cable length for an external display is 100 m.

## HEAD OFFICE SWEDEN

Phone: +46 31 720 02 00

Web: [www.regincontrols.com](http://www.regincontrols.com)

E-mail: [info@regincontrols.com](mailto:info@regincontrols.com)

EXOcompact Vido

— | —

**REGIN**  
THE CHALLENGER

## Technical data

<b>Supply voltage</b>	230 V ~ (217...253 V ~)
<b>Power consumption</b>	10 VA
<b>Protection class</b>	IP20, IP40 when mounted in cabinet door
<b>Ambient humidity</b>	Max. 95 % RH, non-condensing
<b>Ambient temperature</b>	0...50 °C
<b>Storage temperature</b>	-20...+70 °C
<b>Operating system</b>	EXOrealC
<b>Battery backup</b>	Memory and real-time clock, at least 5 years
<b>Mounting</b>	DIN-rail, cabinet or wall, or over a device box
<b>Number of modules</b>	9
<b>Display</b>	Internal or external (accessory)
<b>Dimensions (WxHxD)</b>	147 x 98 x 76 mm
<b>Weight</b>	0.37 kg

## I/O data

<b>Analogue inputs (AI)</b>	PT1000 (-50...+150°C), Ni1000 DIN (-40...105°C), Ni1000 L&G (-40...120°C), Resistance (800...1600 Ohm)
<b>Digital inputs (DI)</b>	Sourcing input type, GND is ref
<b>Analogue outputs (AO)</b>	0...10 V DC (12 bit D/A short-circuit protected)
<b>Digital outputs (DO)</b>	Relay output, 230 V AC, 1 A inductive load, max. 7 A total
<b>Universal analogue I/O (UA)</b>	AI or AO

## Com ports data

<b>Communication ports</b>	3
<b>Serial ports</b>	1
<b>Ethernet ports</b>	1
<b>M-Bus</b>	1

## Serial ports data

<b>Port type</b>	RS485
<b>Port number</b>	1
<b>Default protocol</b>	EXOline slave
<b>Supported protocols</b>	Modbus slave / Modbus master / EXOline slave / EXOline master / EFX master
<b>Port isolation</b>	Yes
<b>Communication speed</b>	9600 Baud (1200...115 200)
<b>Parity</b>	Even (odd/even/no parity)
<b>Stop bits</b>	1 or 2 stop bits, 8 bits
<b>Cable connection</b>	Push-in connector or screw terminals

## Ethernet port data

<b>Port type</b>	Ethernet
<b>Default protocol</b>	EXOline-TCP
<b>Supported protocols</b>	EXOline-TCP / BACnet/IP / Modbus TCP/IP
<b>Cable connection</b>	RJ45, 10Base-T/100Base-TX auto-negotiation

HEAD OFFICE SWEDEN

Phone: +46 31 720 02 00

Web: [www.regincontrols.com](http://www.regincontrols.com)

E-mail: [info@regincontrols.com](mailto:info@regincontrols.com)

EXOcompact Vido

<b>Cable length</b>	Max. 100 m
<b>Cabling</b>	Cat 5

#### M-Bus port

<b>Port type</b>	M-Bus
<b>Supported protocols</b>	M-Bus Mini Master
<b>Number of slaves</b>	4
<b>Communication speed</b>	300...2400 Baud
<b>Cable connection</b>	Screw terminal
<b>Cable length</b>	Max 100 m



This product carries the CE-mark. More information is available at [www.regincontrols.com](http://www.regincontrols.com).

#### Material

<b>Material, housing</b>	Polycarbonate (PC)
--------------------------	--------------------

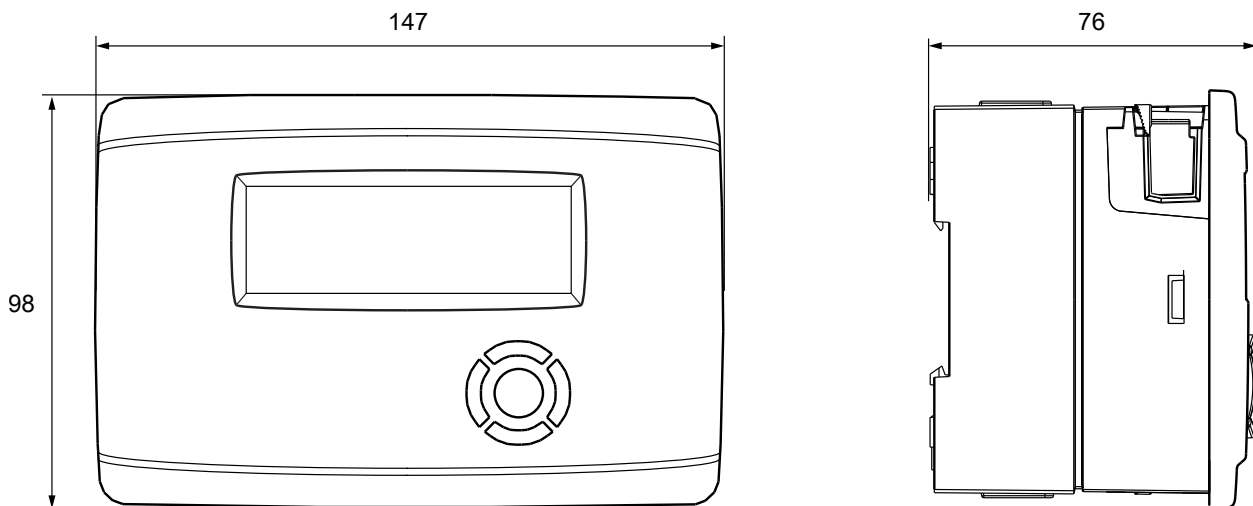
#### Models

Article	Ethernet	RS485	M-Bus	Display	AI	DI	UA	DO	Total I/O:s
XCV193DWM-2	1	1	1	Yes	8	2	2	7	19
XCV193WM-2	1	1	1	-	8	2	2	7	19

#### Accessories

Article	Description
BATTERY-4289	Replacement battery
E-CABLE2-USB	Cable for USB connection
CONVERTERTCP	Adapter
ED-T7	External touch screen display
E3-DSP	External display
EDSP-K3	3 m cable for connecting an external display
EDSP-K10	10 m cable for connecting an external display
EDSP-SPLIT	Cable splitter for connecting two display units to one controller

## Dimensions



[mm]

## Documentation

The product documentation can be downloaded from [www.regincontrols.com](http://www.regincontrols.com). System customers can download additional documentation from our FTP server. Please contact Regin's sales department to get access.