



EXOcompact Ardo

Freely programmable controller



Small and compact controller with different types of communication, with or without built-in display. An EXOcompact Ardo unit can be used either as a stand-alone unit or as part of a larger system.

User-friendly tools are available for flexible handling and easy access via the web server.

- ✓ Suitable for many applications, including heating, ventilation etc
- ✓ Small and compact
- ✓ Includes a web server for easy access
- ✓ Large number of communication possibilities
- ✓ Several protocols available

Application

The EXOcompact Ardo controller can be used either as a stand-alone unit or together with other EXO products as part of a larger automation system. In large automation systems, it makes an excellent compliment to EXOClever, being ideally suited for localised tasks such as zone control or control of heating and ventilation applications.

These controllers are primarily intended for use in installations with a limited number of I/O:s. High importance is placed on a freely programmable, compact controller providing both communication capabilities and high performance. Nevertheless, up to 50 EFX I/Os can be added from units in the Add:io series.

Function

There are many different models available, thus it is possible to find a suitable controller for each specific application. The freely programmable version of our successful Regio Ardo has two inputs for condensation

detectors which makes it particularly well adapted to room applications.

The EXOcompact Ardo series of controllers is available with 1, 2 or 3 communication ports. Depending on the application requirements, the communication can take place via RS485, TCP/IP and M-Bus.

All models with an Ethernet port have the built-in webserver *Controller Web*. The web server is based on standard technology with HTML5 and JavaScript, which provides the tools needed for flexible commissioning and handling. The web server makes it possible to reach and control the system from any web browser on cell phones, tablets or PCs, providing real time data.

The controllers are fully compatible with other products in the EXO-range and are freely programmable in EXOdesigner, the same environment used for all other EXO controllers.

HEAD OFFICE SWEDEN

Phone: +46 31 720 02 00

Web: www.regincontrols.com

E-mail: info@regincontrols.com

EXOcompact Ardo

Installation

EXOcompact Ardo can be mounted onto a DIN-rail or, if using a mounting kit, in a front panel. The controller form factor is EURO norm, which makes it fit into a standard EURO norm cabinet.

When using the accessory kit for terminal protection, the controller can be installed on any wall or above the ceiling. The covers included in the kit ensure that the cables and connections cannot be tampered with, thus making the installation both safe and discrete.

The controllers have a quick connection for installations requiring an external display. Both an internal and external display can be used at the same time. The maximum permitted cable length for an external display is 100 m.

An internal battery preserves the application variables and keeps the hardware clock running when it has no power. The battery is easy to replace.

All controllers in this range work very well with Regin's sensors, transmitters and wireless range as well as other products with communication on the market.

Technical data

General data

Supply voltage	24 V ~ (21...27 V ~ 50...60 Hz) / 20...36 V DC (not units with a CI input)
Power consumption	4 VA
Protection class	IP20
Ambient humidity	Max. 95 % RH
Ambient temperature	0...50 °C
Storage temperature	-20...+70 °C
Operating system	EXOreal
Battery backup	Memory and real-time clock, at least 5 years
Mounting	DIN-rail, cabinet or wall (with accessory)
Number of modules	8.5
Dimensions, external (WxHxD)	149 x 121 x 58 mm 149 x 136 x 58 mm (XCA20...)
Weight (incl. packaging)	0.40 kg

Com ports data

Communication ports	1/2/3, model dependent
Serial ports	1/2, model dependent
TCP/IP ports	1
M-Bus ports	0/1, model dependent

Serial ports data

Port type	RS485
Port number	1 and/or 2
Default protocol	EXOline slave
Supported protocols	Modbus slave / Modbus master / M-Bus master / EXOline master / EXOline slave / EFX master
Port isolation	Yes (port 1), No (port 2)
Communication speed	9600 baud (1200...76800 baud)
Parity	Even (odd/even/no parity)
Stop bits	8 bits, 1 or 2 stop bits
Cable connection	Push-in connector or screw terminal

Ethernet port data

Port type	Ethernet
Default protocol	EXOline-TCP
Supported protocols	EXOline-TCP / BACnet/IP / Modbus/IP
Cable connection	RJ45, 10Base-T/100Base-TX auto-negotiation
Cable length	Max. 100 m
Cabling	Min. Cat 5

M-Bus port data

Port type	M-Bus
Port number	2
Supported protocols	Standard M-Bus master

HEAD OFFICE SWEDEN

Phone: +46 31 720 02 00

Web: www.regincontrols.com

E-mail: info@regincontrols.com

EXOcompact Ardo

Communication speed	2400 baud (300...9600 baud)
Cable connection	Screw terminal
Cable length	≤ 2400 baud: max 1000 m 4800...9600 baud: max 100 m

HMI data

Clock	Yes
Display	Built-in or/and external
Display type	Backlit, LCD, 4 rows of 20 characters, international character set
Indication type	LEDs

Material

Material, housing	Polycarbonate, PC
--------------------------	-------------------



This product carries the CE-mark. More information is available at www.regincontrols.com.

Models

Article	TCP/IP	RS485	M-Bus	Display	Ala	Dla	D1b	U1a	C1a	AOa	DOb	Total I/O:s
XCA152W-4	1	1	-	-	4	4	-	-	-	3	4	15
XCA152DW-4	1	1	-	Yes	4	4	-	-	-	3	4	15
XCA153W-4	1	2	-	-	4	4	-	-	-	3	4	15
XCA153DW-4	1	2	-	Yes	4	4	-	-	-	3	4	15
XCA203W-4	1	2	-	-	4	-	4	-	2	4	6	20
XCA282W-4	1	1	-	-	4	8	-	4	-	5	7	28
XCA282DW-4	1	1	-	Yes	4	8	-	4	-	5	7	28
XCA283W-4	1	2	-	-	4	8	-	4	-	5	7	28
XCA283DW-4	1	2	-	Yes	4	8	-	4	-	5	7	28
XCA283DWM-4	1	1	Yes	Yes	4	8	-	4	-	5	7	28

Accessories

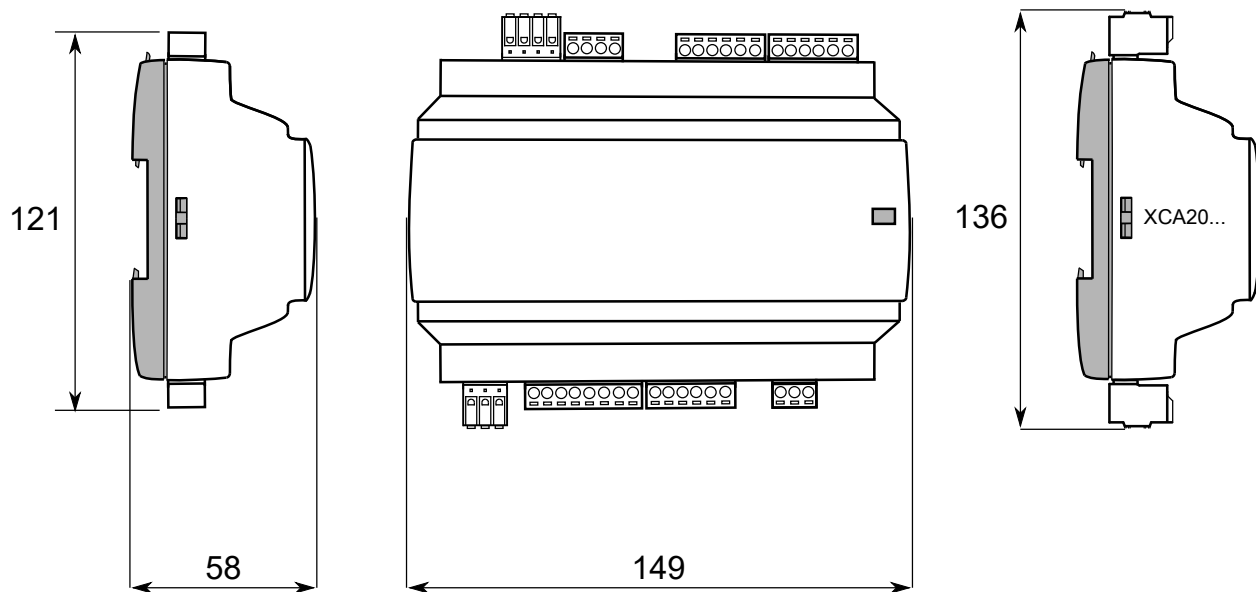
Article	Description
BATTERY-4289	Replacement battery
FMCE	Front mounting kit for one EXOcompact Ardo
FMK2	Front mounting kit, 12 modules
PLTCE	Set of angled plug-in terminal blocks
E-CABLE2-USB	Cable for USB connection
CONVERTERTCP	Adapter
TP-AE	Terminal protection kit for Ardo and Eedo controllers
ED-T7	External touch screen display
E3-DSP	External display
EDSP-K3	3 m cable for connecting an external display
EDSP-K10	10 m cable for connecting an external display
EDSP-SPLIT	Cable splitter for connecting two display units to one controller

HEAD OFFICE SWEDEN

Phone: +46 31 720 02 00
 Web: www.regincontrols.com
 E-mail: info@regincontrols.com

EXOcompact Ardo

Dimensions



[mm]

Documentation

More documentation for the specific product is available for Regin system integration partners. Contact your local Regin office for more information.