



# X1178

## Power interface for Regio RC-...F... controllers

Power interface with five opto-isolated TRIACs, intended for control of a fan-coil unit and associated thermal actuators

- Intended for indoor wall mounting
- Protection class IP44
- Five TRIAC based channels

- Can control a fan-coil and two thermal actuators
- Noiseless operation
- Long lifetime (no moving parts)

X1178 is a Power Interface intended to control 230 V AC fan-coil units and actuators from 24 V outputs. It gives the necessary galvanic insulation when connected to 24 V installations.

Due to its TRIAC based outputs, X1178 has noiseless operation.

## Technical data

Supply voltage	230 V~ ±10%
Max total load	460 VA
Value of internal fuse	2 AT
Max power dissipation (inputs / outputs)	1W / 3W
Protection class	IP44
Mounting	Indoor, wall mounting
Overtoltage category	3
Pollution degree	2
Ambient temperature	0...50°C
Ambient humidity	5...90% RH
Storage temperature	-20...+70°C
Dimensions (WxHxD)	120 x 125 x 40 mm
Weight	200 g
Inputs	Five inputs 24 V AC or DC, ±15% from Regio or other controller
Outputs	Five TRIAC based outputs 230 V AC providing electric disconnection (Type 1.Y).
Min load per output	800 mW
Max load per output	300 VA max 1.3 A
Max total current through L terminal	2 A
Recommended cable area	1 mm <sup>2</sup>

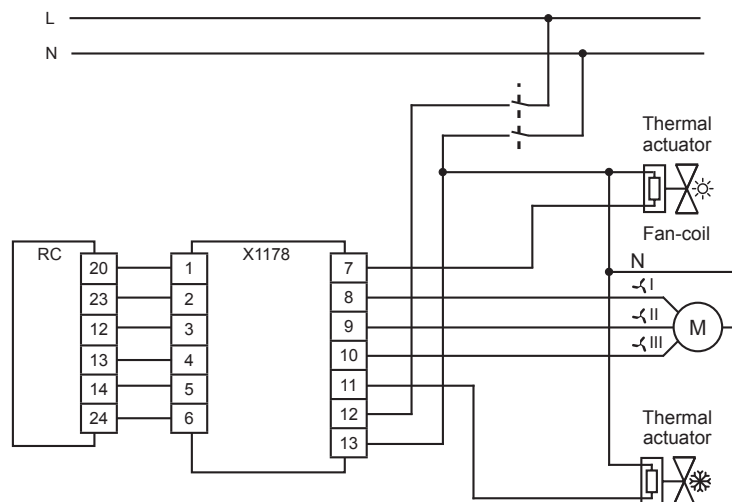
**CE**

This product conforms with the EMC and LVD requirements of the European harmonised standard EN60730-1:2000 and carries the CE mark.

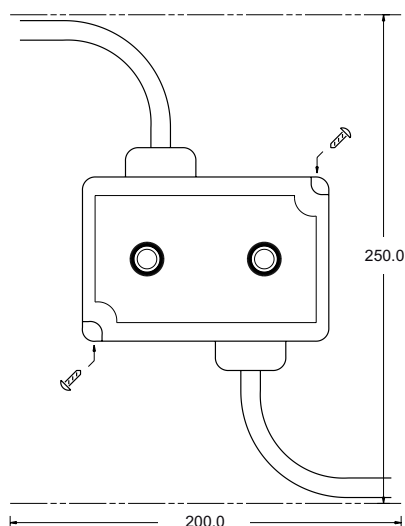
## Wiring and Dimensions

1	Com.DI
2	Digital input 1
3	Digital input 2
4	Digital input 3
5	Digital input 4
6	Digital input 5
7	Digital output 1
8	Digital output 2
9	Digital output 3
10	Digital output 4
11	Digital output 5
12	Line (Mains supply)
13	Neutral (Mains supply)

DI1...DI5: 24 V ≈  
 DO1...DO5: 230 V ~ 300 VA 1.3 A max  
 L: 230 V ~ 460 VA 2 A max



Wiring example



### Head Office Sweden

Phone: +46 31 720 02 00  
 Web: [www.regin.se](http://www.regin.se)  
 Mail: [info@regin.se](mailto:info@regin.se)

### Sales Offices

France: +33 1 41 71 00 34  
 Germany: +49 30 77 99 40  
 Spain: +34 91 473 27 65  
 Hong Kong: +852 24 07 02 81  
 Singapore: +65 67 47 82 33

**REGIN**

THE CHALLENGER IN BUILDING AUTOMATION