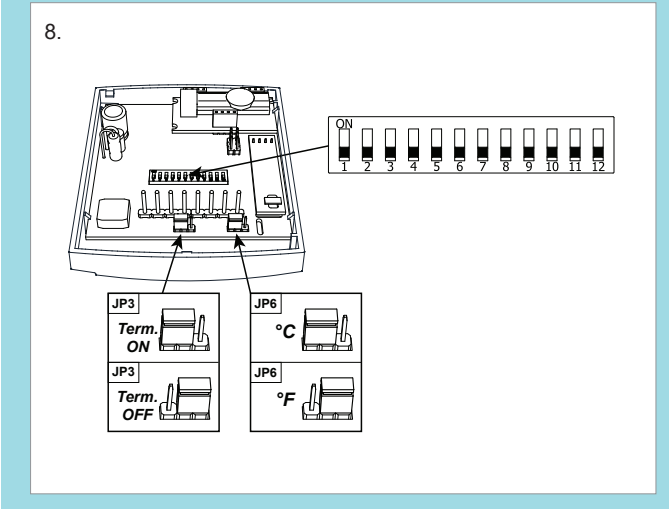
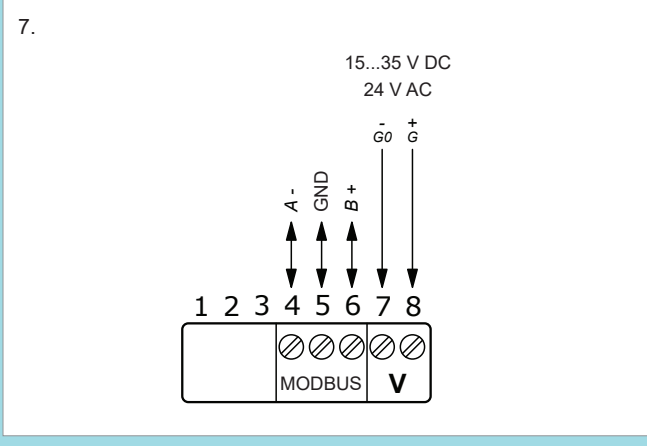
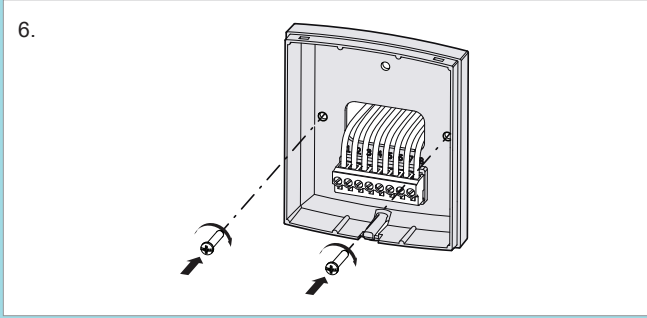
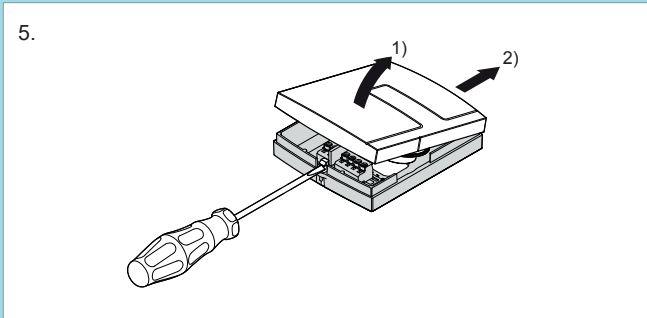
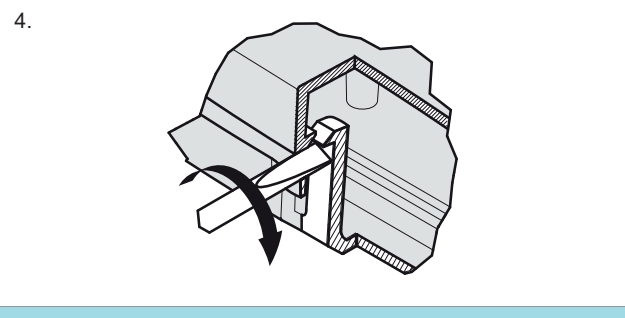
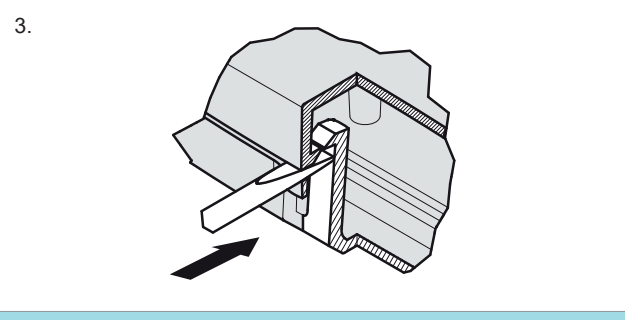
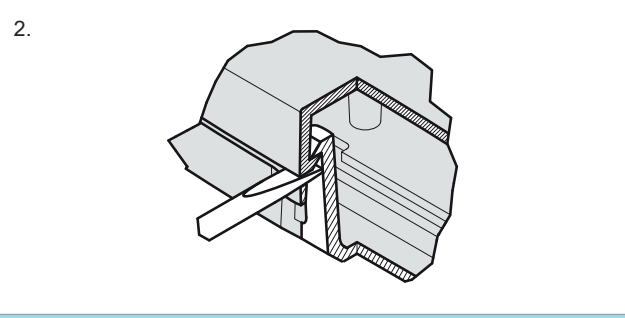
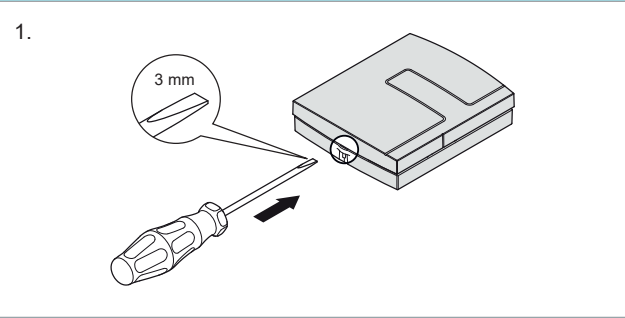
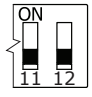
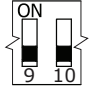


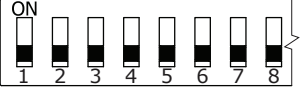
# TRTC5(-D)




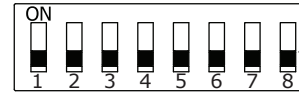
11944E AUG 23

| Baud rate<br>Baudhastighet<br>Baudrate |  |     |
|--|--|-----|
|  | 11   | 12  |
| 38400                                  | ON   | ON  |
| 19200                                  | OFF  | OFF |
| 9600                                   | ON   | OFF |
| 4800                                   | OFF  | ON  |


| Parity<br>Paritet<br>Parität |  |     |
|------------------------------|---|-----|
|                              | 9   | 10  |
| Even / Jämn                  | OFF   | OFF |
| None / Ingen                 | ON  | OFF |
| Odd / Udda                   | OFF   | ON  |
| None / Ingen                 | ON  | ON  |

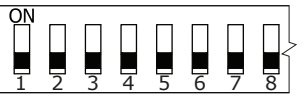
| Address<br>Address<br>Adresse |  |     |     |     |     |     |     |     |
|-------------------------------|---|-----|-----|-----|-----|-----|-----|-----|
|                               | 1   | 2   | 3   | 4   | 5   | 6   | 7   | 8   |
| 1                             | OFF   | OFF | OFF | OFF | OFF | OFF | OFF | OFF |
| 1                             | ON  | OFF | OFF | OFF | OFF | OFF | OFF | OFF |
| 2                             | OFF   | ON  | OFF | OFF | OFF | OFF | OFF | OFF |
| 3                             | ON  | ON  | OFF | OFF | OFF | OFF | OFF | OFF |
| 4                             | OFF   | OFF | ON  | OFF | OFF | OFF | OFF | OFF |
| 5                             | ON  | OFF | ON  | OFF | OFF | OFF | OFF | OFF |
| 6                             | OFF   | ON  | ON  | OFF | OFF | OFF | OFF | OFF |
| 7                             | ON  | ON  | ON  | OFF | OFF | OFF | OFF | OFF |
| 8                             | OFF   | OFF | OFF | ON  | OFF | OFF | OFF | OFF |
| 9                             | ON  | OFF | OFF | ON  | OFF | OFF | OFF | OFF |
| 10                            | OFF   | ON  | OFF | ON  | OFF | OFF | OFF | OFF |
| 11                            | ON  | ON  | OFF | ON  | OFF | OFF | OFF | OFF |
| 12                            | OFF   | OFF | ON  | ON  | OFF | OFF | OFF | OFF |
| 13                            | ON  | OFF | ON  | ON  | OFF | OFF | OFF | OFF |
| 14                            | OFF   | ON  | ON  | ON  | OFF | OFF | OFF | OFF |
| 15                            | ON  | ON  | ON  | ON  | OFF | OFF | OFF | OFF |

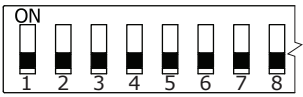
| Address<br>Address<br>Adresse |  |     |     |     |     |     |     |     |
|-------------------------------|--|-----|-----|-----|-----|-----|-----|-----|
|                               | 1  | 2   | 3   | 4   | 5   | 6   | 7   | 8   |
| 16                            | OFF  | OFF | OFF | OFF | ON  | OFF | OFF | OFF |
| 17                            | ON   | OFF | OFF | OFF | ON  | OFF | OFF | OFF |
| 18                            | OFF  | ON  | OFF | OFF | ON  | OFF | OFF | OFF |
| 19                            | ON   | ON  | OFF | OFF | ON  | OFF | OFF | OFF |
| 20                            | OFF  | OFF | ON  | OFF | ON  | OFF | OFF | OFF |
| 21                            | ON   | OFF | ON  | OFF | ON  | OFF | OFF | OFF |
| 22                            | OFF  | ON  | ON  | OFF | ON  | OFF | OFF | OFF |
| 23                            | ON   | ON  | ON  | OFF | ON  | OFF | OFF | OFF |
| 24                            | OFF  | OFF | OFF | ON  | ON  | OFF | OFF | OFF |
| 25                            | ON   | OFF | OFF | ON  | ON  | OFF | OFF | OFF |
| 26                            | OFF  | ON  | OFF | ON  | ON  | OFF | OFF | OFF |
| 27                            | ON   | ON  | OFF | ON  | ON  | OFF | OFF | OFF |
| 28                            | OFF  | OFF | ON  | ON  | ON  | OFF | OFF | OFF |
| 29                            | ON   | OFF | ON  | ON  | ON  | OFF | OFF | OFF |
| 30                            | OFF  | ON  | ON  | ON  | ON  | OFF | OFF | OFF |
| 31                            | ON   | ON  | ON  | ON  | ON  | OFF | OFF | OFF |
| 32                            | OFF  | OFF | OFF | OFF | OFF | ON  | OFF | OFF |
| 33                            | ON   | OFF | OFF | OFF | OFF | ON  | OFF | OFF |
| 34                            | OFF  | ON  | OFF | OFF | OFF | ON  | OFF | OFF |
| 35                            | ON   | ON  | OFF | OFF | OFF | ON  | OFF | OFF |
| 36                            | OFF  | OFF | ON  | OFF | OFF | ON  | OFF | OFF |
| 37                            | ON   | OFF | ON  | OFF | OFF | ON  | OFF | OFF |
| 38                            | OFF  | ON  | ON  | OFF | OFF | ON  | OFF | OFF |
| 39                            | ON   | ON  | ON  | OFF | OFF | ON  | OFF | OFF |
| 40                            | OFF  | OFF | OFF | ON  | OFF | ON  | OFF | OFF |
| 41                            | ON   | OFF | OFF | ON  | OFF | ON  | OFF | OFF |
| 42                            | OFF  | ON  | OFF | ON  | OFF | ON  | OFF | OFF |
| 43                            | ON   | ON  | OFF | ON  | OFF | ON  | OFF | OFF |
| 44                            | OFF  | OFF | ON  | ON  | OFF | ON  | OFF | OFF |
| 45                            | ON   | OFF | ON  | ON  | OFF | ON  | OFF | OFF |
| 46                            | OFF  | ON  | ON  | ON  | OFF | ON  | OFF | OFF |
| 47                            | ON   | ON  | ON  | ON  | OFF | ON  | OFF | OFF |
| 48                            | OFF  | OFF | OFF | OFF | ON  | ON  | OFF | OFF |
| 49                            | ON   | OFF | OFF | OFF | ON  | ON  | OFF | OFF |
| 50                            | OFF  | ON  | OFF | OFF | ON  | ON  | OFF | OFF |
| 51                            | ON   | ON  | OFF | OFF | ON  | ON  | OFF | OFF |

| Address<br>Address<br>Adresse |  |     |     |     |     |     |     |     |
|-------------------------------|--|-----|-----|-----|-----|-----|-----|-----|
|                               | 1  | 2   | 3   | 4   | 5   | 6   | 7   | 8   |
| 52                            | OFF  | OFF | ON  | OFF | ON  | ON  | OFF | OFF |
| 53                            | ON   | OFF | ON  | OFF | ON  | ON  | OFF | OFF |
| 54                            | OFF  | ON  | ON  | OFF | ON  | ON  | OFF | OFF |
| 55                            | ON   | ON  | ON  | OFF | ON  | ON  | OFF | OFF |
| 56                            | OFF  | OFF | OFF | ON  | ON  | ON  | OFF | OFF |
| 57                            | ON   | OFF | OFF | ON  | ON  | ON  | OFF | OFF |
| 58                            | OFF  | ON  | OFF | ON  | ON  | ON  | OFF | OFF |
| 59                            | ON   | ON  | OFF | ON  | ON  | ON  | OFF | OFF |
| 60                            | OFF  | OFF | ON  | ON  | ON  | ON  | OFF | OFF |
| 61                            | ON   | OFF | ON  | ON  | ON  | ON  | OFF | OFF |
| 62                            | OFF  | ON  | ON  | ON  | ON  | ON  | OFF | OFF |
| 63                            | ON   | ON  | ON  | ON  | ON  | ON  | OFF | OFF |
| 64                            | OFF  | OFF | OFF | OFF | OFF | OFF | ON  | OFF |
| 65                            | ON   | OFF | OFF | OFF | OFF | OFF | ON  | OFF |
| 66                            | OFF  | ON  | OFF | OFF | OFF | OFF | ON  | OFF |
| 67                            | ON   | ON  | OFF | OFF | OFF | OFF | ON  | OFF |
| 68                            | OFF  | OFF | ON  | OFF | OFF | OFF | ON  | OFF |
| 69                            | ON   | OFF | ON  | OFF | OFF | OFF | ON  | OFF |
| 70                            | OFF  | ON  | ON  | OFF | OFF | OFF | ON  | OFF |
| 71                            | ON   | ON  | ON  | OFF | OFF | OFF | ON  | OFF |
| 72                            | OFF  | OFF | OFF | ON  | OFF | OFF | ON  | OFF |
| 73                            | ON   | OFF | OFF | ON  | OFF | OFF | ON  | OFF |
| 74                            | OFF  | ON  | OFF | ON  | OFF | OFF | ON  | OFF |
| 75                            | ON   | ON  | OFF | ON  | OFF | OFF | ON  | OFF |
| 76                            | OFF  | OFF | ON  | ON  | OFF | OFF | ON  | OFF |
| 77                            | ON   | OFF | ON  | ON  | OFF | OFF | ON  | OFF |
| 78                            | OFF  | ON  | ON  | ON  | OFF | OFF | ON  | OFF |
| 79                            | ON   | ON  | ON  | ON  | OFF | OFF | ON  | OFF |
| 80                            | OFF  | OFF | OFF | OFF | ON  | OFF | ON  | OFF |
| 81                            | ON   | OFF | OFF | OFF | ON  | OFF | ON  | OFF |
| 82                            | OFF  | ON  | OFF | OFF | ON  | OFF | ON  | OFF |
| 83                            | ON   | ON  | OFF | OFF | ON  | OFF | ON  | OFF |
| 84                            | OFF  | OFF | ON  | OFF | ON  | OFF | ON  | OFF |
| 85                            | ON   | OFF | ON  | OFF | ON  | OFF | ON  | OFF |
| 86                            | OFF  | ON  | ON  | OFF | ON  | OFF | ON  | OFF |
| 87                            | ON   | ON  | ON  | OFF | ON  | OFF | ON  | OFF |

1194E AUG 23

| Address<br>Address<br>Adresse |  |     |     |     |     |     |    |     |
|-------------------------------|--|-----|-----|-----|-----|-----|----|-----|
|                               | 1  | 2   | 3   | 4   | 5   | 6   | 7  | 8   |
| 88                            | OFF  | OFF | OFF | ON  | ON  | OFF | ON | OFF |
| 89                            | ON   | OFF | OFF | ON  | ON  | OFF | ON | OFF |
| 90                            | OFF  | ON  | OFF | ON  | ON  | OFF | ON | OFF |
| 91                            | ON   | ON  | OFF | ON  | ON  | OFF | ON | OFF |
| 92                            | OFF  | OFF | ON  | ON  | ON  | OFF | ON | OFF |
| 93                            | ON   | OFF | ON  | ON  | ON  | OFF | ON | OFF |
| 94                            | OFF  | ON  | ON  | ON  | ON  | OFF | ON | OFF |
| 95                            | ON   | ON  | ON  | ON  | ON  | OFF | ON | OFF |
| 96                            | OFF  | OFF | OFF | OFF | OFF | ON  | ON | OFF |
| 97                            | ON   | OFF | OFF | OFF | OFF | ON  | ON | OFF |
| 98                            | OFF  | ON  | OFF | OFF | OFF | ON  | ON | OFF |
| 99                            | ON   | ON  | OFF | OFF | OFF | ON  | ON | OFF |
| 100                           | OFF  | OFF | ON  | OFF | OFF | ON  | ON | OFF |
| 101                           | ON   | OFF | ON  | OFF | OFF | ON  | ON | OFF |
| 102                           | OFF  | ON  | ON  | OFF | OFF | ON  | ON | OFF |
| 103                           | ON   | ON  | ON  | OFF | OFF | ON  | ON | OFF |
| 104                           | OFF  | OFF | OFF | ON  | OFF | ON  | ON | OFF |
| 105                           | ON   | OFF | OFF | ON  | OFF | ON  | ON | OFF |
| 106                           | OFF  | ON  | OFF | ON  | OFF | ON  | ON | OFF |
| 107                           | ON   | ON  | OFF | ON  | OFF | ON  | ON | OFF |
| 108                           | OFF  | OFF | ON  | ON  | OFF | ON  | ON | OFF |
| 109                           | ON   | OFF | ON  | ON  | OFF | ON  | ON | OFF |
| 110                           | OFF  | ON  | ON  | ON  | OFF | ON  | ON | OFF |
| 111                           | ON   | ON  | ON  | ON  | OFF | ON  | ON | OFF |
| 112                           | OFF  | OFF | OFF | OFF | ON  | ON  | ON | OFF |
| 113                           | ON   | OFF | OFF | OFF | ON  | ON  | ON | OFF |
| 114                           | OFF  | ON  | OFF | OFF | ON  | ON  | ON | OFF |
| 115                           | ON   | ON  | OFF | OFF | ON  | ON  | ON | OFF |
| 116                           | OFF  | OFF | ON  | OFF | ON  | ON  | ON | OFF |
| 117                           | ON   | OFF | ON  | OFF | ON  | ON  | ON | OFF |
| 118                           | OFF  | ON  | ON  | OFF | ON  | ON  | ON | OFF |
| 119                           | ON   | ON  | ON  | OFF | ON  | ON  | ON | OFF |
| 120                           | OFF  | OFF | OFF | ON  | ON  | ON  | ON | OFF |
| 121                           | ON   | OFF | OFF | ON  | ON  | ON  | ON | OFF |
| 122                           | OFF  | ON  | OFF | ON  | ON  | ON  | ON | OFF |
| 123                           | ON   | ON  | OFF | ON  | ON  | ON  | ON | OFF |

| Address<br>Address<br>Adresse |  |     |     |     |     |     |     |     |
|-------------------------------|--|-----|-----|-----|-----|-----|-----|-----|
|                               | 1  | 2   | 3   | 4   | 5   | 6   | 7   | 8   |
| 124                           | OFF  | OFF | ON  | ON  | ON  | ON  | ON  | OFF |
| 125                           | ON   | OFF | ON  | ON  | ON  | ON  | ON  | OFF |
| 126                           | OFF  | ON  | ON  | ON  | ON  | ON  | ON  | OFF |
| 127                           | ON   | ON  | ON  | ON  | ON  | ON  | ON  | OFF |
| 128                           | OFF  | OFF | OFF | OFF | OFF | OFF | OFF | ON  |
| 129                           | ON   | OFF | OFF | OFF | OFF | OFF | OFF | ON  |
| 130                           | OFF  | ON  | OFF | OFF | OFF | OFF | OFF | ON  |
| 131                           | ON   | ON  | OFF | OFF | OFF | OFF | OFF | ON  |
| 132                           | OFF  | OFF | ON  | OFF | OFF | OFF | OFF | ON  |
| 133                           | ON   | OFF | ON  | OFF | OFF | OFF | OFF | ON  |
| 134                           | OFF  | ON  | ON  | OFF | OFF | OFF | OFF | ON  |
| 135                           | ON   | ON  | ON  | OFF | OFF | OFF | OFF | ON  |
| 136                           | OFF  | OFF | OFF | ON  | OFF | OFF | OFF | ON  |
| 137                           | ON   | OFF | OFF | ON  | OFF | OFF | OFF | ON  |
| 138                           | OFF  | ON  | OFF | ON  | OFF | OFF | OFF | ON  |
| 139                           | ON   | ON  | OFF | ON  | OFF | OFF | OFF | ON  |
| 140                           | OFF  | OFF | ON  | ON  | OFF | OFF | OFF | ON  |
| 141                           | ON   | OFF | ON  | ON  | OFF | OFF | OFF | ON  |
| 142                           | OFF  | ON  | ON  | ON  | OFF | OFF | OFF | ON  |
| 143                           | ON   | ON  | ON  | ON  | OFF | OFF | OFF | ON  |
| 144                           | OFF  | OFF | OFF | OFF | ON  | OFF | OFF | ON  |
| 145                           | ON   | OFF | OFF | OFF | ON  | OFF | OFF | ON  |
| 146                           | OFF  | ON  | OFF | OFF | ON  | OFF | OFF | ON  |
| 147                           | ON   | ON  | OFF | OFF | ON  | OFF | OFF | ON  |
| 148                           | OFF  | OFF | ON  | OFF | ON  | OFF | OFF | ON  |
| 149                           | ON   | OFF | ON  | OFF | ON  | OFF | OFF | ON  |
| 150                           | OFF  | ON  | ON  | OFF | ON  | OFF | OFF | ON  |
| 151                           | ON   | ON  | ON  | OFF | ON  | OFF | OFF | ON  |
| 152                           | OFF  | OFF | OFF | ON  | ON  | OFF | OFF | ON  |
| 153                           | ON   | OFF | OFF | ON  | ON  | OFF | OFF | ON  |
| 154                           | OFF  | ON  | OFF | ON  | ON  | OFF | OFF | ON  |
| 155                           | ON   | ON  | OFF | ON  | ON  | OFF | OFF | ON  |
| 156                           | OFF  | OFF | ON  | ON  | ON  | OFF | OFF | ON  |
| 157                           | ON   | OFF | ON  | ON  | ON  | OFF | OFF | ON  |
| 158                           | OFF  | ON  | ON  | ON  | ON  | OFF | OFF | ON  |
| 159                           | ON   | ON  | ON  | ON  | ON  | OFF | OFF | ON  |

| Address<br>Address<br>Adresse |  |     |     |     |     |     |     |    |
|-------------------------------|--|-----|-----|-----|-----|-----|-----|----|
|                               | 1  | 2   | 3   | 4   | 5   | 6   | 7   | 8  |
| 160                           | OFF  | OFF | OFF | OFF | OFF | ON  | OFF | ON |
| 161                           | ON   | OFF | OFF | OFF | OFF | ON  | OFF | ON |
| 162                           | OFF  | ON  | OFF | OFF | OFF | ON  | OFF | ON |
| 163                           | ON   | ON  | OFF | OFF | OFF | ON  | OFF | ON |
| 164                           | OFF  | OFF | ON  | OFF | OFF | ON  | OFF | ON |
| 165                           | ON   | OFF | ON  | OFF | OFF | ON  | OFF | ON |
| 166                           | OFF  | ON  | ON  | OFF | OFF | ON  | OFF | ON |
| 167                           | ON   | ON  | ON  | OFF | OFF | ON  | OFF | ON |
| 168                           | OFF  | OFF | OFF | ON  | OFF | ON  | OFF | ON |
| 169                           | ON   | OFF | OFF | ON  | OFF | ON  | OFF | ON |
| 170                           | OFF  | ON  | OFF | ON  | OFF | ON  | OFF | ON |
| 171                           | ON   | ON  | OFF | ON  | OFF | ON  | OFF | ON |
| 172                           | OFF  | OFF | ON  | ON  | OFF | ON  | OFF | ON |
| 173                           | ON   | OFF | ON  | ON  | OFF | ON  | OFF | ON |
| 174                           | OFF  | ON  | ON  | ON  | OFF | ON  | OFF | ON |
| 175                           | ON   | ON  | ON  | ON  | OFF | ON  | OFF | ON |
| 176                           | OFF  | OFF | OFF | OFF | ON  | ON  | OFF | ON |
| 177                           | ON   | OFF | OFF | OFF | ON  | ON  | OFF | ON |
| 178                           | OFF  | ON  | OFF | OFF | ON  | ON  | OFF | ON |
| 179                           | ON   | ON  | OFF | OFF | ON  | ON  | OFF | ON |
| 180                           | OFF  | OFF | ON  | OFF | ON  | ON  | OFF | ON |
| 181                           | ON   | OFF | ON  | OFF | ON  | ON  | OFF | ON |
| 182                           | OFF  | ON  | ON  | OFF | ON  | ON  | OFF | ON |
| 183                           | ON   | ON  | ON  | OFF | ON  | ON  | OFF | ON |
| 184                           | OFF  | OFF | OFF | ON  | ON  | ON  | OFF | ON |
| 185                           | ON   | OFF | OFF | ON  | ON  | ON  | OFF | ON |
| 186                           | OFF  | ON  | OFF | ON  | ON  | ON  | OFF | ON |
| 187                           | ON   | ON  | OFF | ON  | ON  | ON  | OFF | ON |
| 188                           | OFF  | OFF | ON  | ON  | ON  | ON  | OFF | ON |
| 189                           | ON   | OFF | ON  | ON  | ON  | ON  | OFF | ON |
| 190                           | OFF  | ON  | ON  | ON  | ON  | ON  | OFF | ON |
| 191                           | ON   | ON  | ON  | ON  | ON  | ON  | OFF | ON |
| 192                           | OFF  | OFF | OFF | OFF | OFF | OFF | ON  | ON |
| 193                           | ON   | OFF | OFF | OFF | OFF | OFF | ON  | ON |
| 194                           | OFF  | ON  | OFF | OFF | OFF | OFF | ON  | ON |
| 195                           | ON   | ON  | OFF | OFF | OFF | OFF | ON  | ON |

11944E AUG 23

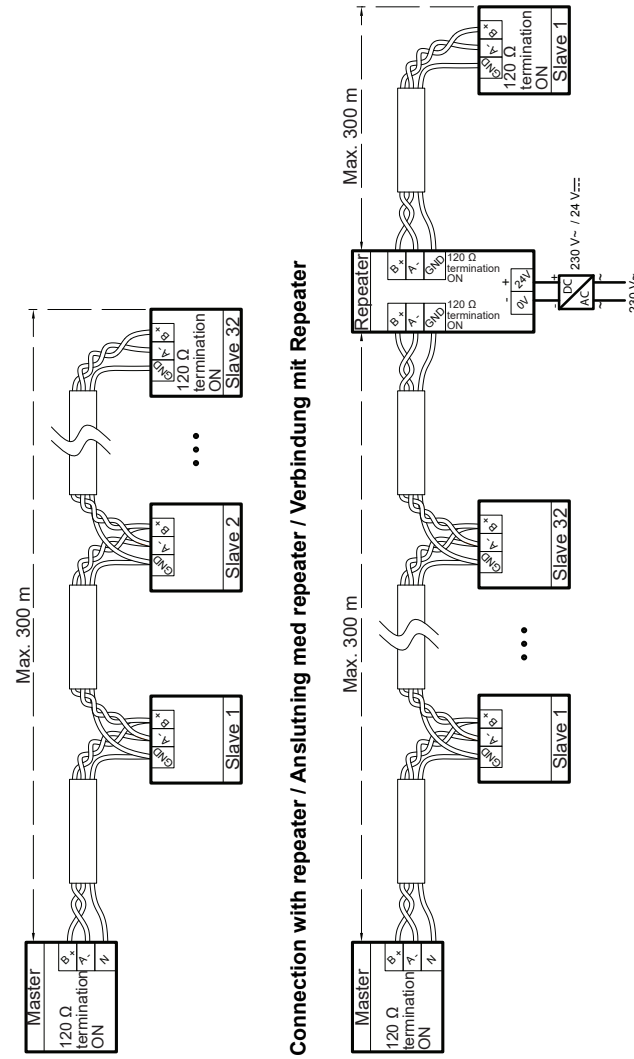
| Address<br>Adresse |     |     |     |     |     |     |    |    |
|--------------------|-----|-----|-----|-----|-----|-----|----|----|
|                    | 1   | 2   | 3   | 4   | 5   | 6   | 7  | 8  |
| 196                | OFF | OFF | ON  | OFF | OFF | OFF | ON | ON |
| 197                | ON  | OFF | ON  | OFF | OFF | OFF | ON | ON |
| 198                | OFF | ON  | ON  | OFF | OFF | OFF | ON | ON |
| 199                | ON  | ON  | ON  | OFF | OFF | OFF | ON | ON |
| 200                | OFF | OFF | OFF | ON  | OFF | OFF | ON | ON |
| 201                | ON  | OFF | OFF | ON  | OFF | OFF | ON | ON |
| 202                | OFF | ON  | OFF | ON  | OFF | OFF | ON | ON |
| 203                | ON  | ON  | OFF | ON  | OFF | OFF | ON | ON |
| 204                | OFF | OFF | ON  | ON  | OFF | OFF | ON | ON |
| 205                | ON  | OFF | ON  | ON  | OFF | OFF | ON | ON |
| 206                | OFF | ON  | ON  | ON  | OFF | OFF | ON | ON |
| 207                | ON  | ON  | ON  | ON  | OFF | OFF | ON | ON |
| 208                | OFF | OFF | OFF | OFF | ON  | OFF | ON | ON |
| 209                | ON  | OFF | OFF | OFF | ON  | OFF | ON | ON |
| 210                | OFF | ON  | OFF | OFF | ON  | OFF | ON | ON |
| 211                | ON  | ON  | OFF | OFF | ON  | OFF | ON | ON |
| 212                | OFF | OFF | ON  | OFF | ON  | OFF | ON | ON |
| 213                | ON  | OFF | ON  | OFF | ON  | OFF | ON | ON |
| 214                | OFF | ON  | ON  | OFF | ON  | OFF | ON | ON |
| 215                | ON  | ON  | ON  | OFF | ON  | OFF | ON | ON |
| 216                | OFF | OFF | OFF | ON  | ON  | OFF | ON | ON |
| 217                | ON  | OFF | OFF | ON  | ON  | OFF | ON | ON |
| 218                | OFF | ON  | OFF | ON  | ON  | OFF | ON | ON |
| 219                | ON  | ON  | OFF | ON  | ON  | OFF | ON | ON |
| 220                | OFF | OFF | ON  | ON  | ON  | OFF | ON | ON |
| 221                | ON  | OFF | ON  | ON  | ON  | OFF | ON | ON |
| 222                | OFF | ON  | ON  | ON  | ON  | OFF | ON | ON |
| 223                | ON  | ON  | ON  | ON  | ON  | OFF | ON | ON |
| 224                | OFF | OFF | OFF | OFF | OFF | ON  | ON | ON |
| 225                | ON  | OFF | OFF | OFF | OFF | ON  | ON | ON |
| 226                | OFF | ON  | OFF | OFF | OFF | ON  | ON | ON |
| 227                | ON  | ON  | OFF | OFF | OFF | ON  | ON | ON |
| 228                | OFF | OFF | ON  | OFF | OFF | ON  | ON | ON |
| 229                | ON  | OFF | ON  | OFF | OFF | ON  | ON | ON |
| 230                | OFF | ON  | ON  | OFF | OFF | ON  | ON | ON |
| 231                | ON  | ON  | ON  | OFF | OFF | ON  | ON | ON |

| Address<br>Adresse |     |     |     |     |     |    |    |    |
|--------------------|-----|-----|-----|-----|-----|----|----|----|
|                    | 1   | 2   | 3   | 4   | 5   | 6  | 7  | 8  |
| 232                | OFF | OFF | OFF | ON  | OFF | ON | ON | ON |
| 233                | ON  | OFF | OFF | ON  | OFF | ON | ON | ON |
| 234                | OFF | ON  | OFF | ON  | OFF | ON | ON | ON |
| 235                | ON  | ON  | OFF | ON  | OFF | ON | ON | ON |
| 236                | OFF | OFF | ON  | ON  | OFF | ON | ON | ON |
| 237                | ON  | OFF | ON  | ON  | OFF | ON | ON | ON |
| 238                | OFF | ON  | ON  | ON  | OFF | ON | ON | ON |
| 239                | ON  | ON  | ON  | ON  | OFF | ON | ON | ON |
| 240                | OFF | OFF | OFF | OFF | ON  | ON | ON | ON |
| 241                | ON  | OFF | OFF | OFF | ON  | ON | ON | ON |
| 242                | OFF | ON  | OFF | OFF | ON  | ON | ON | ON |
| 243                | ON  | ON  | OFF | OFF | ON  | ON | ON | ON |
| 244                | OFF | OFF | ON  | OFF | ON  | ON | ON | ON |
| 245                | ON  | OFF | ON  | OFF | ON  | ON | ON | ON |
| 246                | OFF | ON  | ON  | OFF | ON  | ON | ON | ON |
| 247*               | ON  | ON  | ON  | OFF | ON  | ON | ON | ON |
| 247*               | OFF | OFF | OFF | ON  | ON  | ON | ON | ON |
| 247*               | ON  | OFF | OFF | ON  | ON  | ON | ON | ON |
| 247*               | OFF | ON  | OFF | ON  | ON  | ON | ON | ON |
| 247*               | ON  | ON  | OFF | ON  | ON  | ON | ON | ON |
| 247*               | OFF | OFF | ON  | ON  | ON  | ON | ON | ON |
| 247*               | ON  | OFF | ON  | ON  | ON  | ON | ON | ON |
| 247*               | OFF | ON  | ON  | ON  | ON  | ON | ON | ON |
| 247*               | ON  | ON  | ON  | ON  | ON  | ON | ON | ON |

\* Maximum selectable address = 247  
 Högsta valbara adress = 247  
 Maximal wählbare Adresse = 247

11944E AUG 23

Connection without repeater / Anslutning utan repeater / Verbindung ohne Repeater





# INSTRUCTION TRTC5(-D)



Read this instruction before installation and wiring of the product. Subject to change without notice.

## Temperature transmitters for Modbus communication for wall mounting

Room transmitters for temperature measurement in indoor environments. -D models have a built-in LCD display showing temperature.

### Technical data

|                                  |   |
|----------------------------------|---|
| Output signal                    | Modbus  |
| Supply voltage (U <sub>v</sub> ) | 24 V AC ±10 % / 15...35 V DC                      |
| Power consumption                | < 1 W   |
| Transformer power                | 2 VA  |
| Electrical connection            | Screw terminals max. 1.5 mm <sup>2</sup> (AWG 16) |
| Ambient temperature              | 0...50°C  |
| Ambient humidity                 | 10...90 % RH non-condensing                       |
| Storage temperature              | -25...+60°C                                       |
| Protection class                 | IP30  |
| Dimensions (WxHxD)               | 85 x 100 x 30.5 mm                                |

### Temperature

|                  |          |
|------------------|----------|
| Working range    | 0...50°C |
| Accuracy at 20°C | ±0.2°C   |

### Communication

|                  |              |
|------------------|--------------|
| Type             | Modbus RTU   |
| Factory settings |              |
| Baud rate        | 19200 bits/s |
| Parity           | Even         |
| Address of unit  | 1            |

### Installation

The transmitter should be mounted in a location with good air circulation where it can be expected to give a representative reading. It may be mounted on a wallbox or directly on the wall.

To remove the front cover, depress the locking tongue in the lower part of the casing using a 3 mm flat-blade screwdriver (**picture 1**). Press and twist the screwdriver and at the same time pull the bottom part of the front outwards (**pictures 2-4**). When the bottom end of the front is free from the bottom part of the casing, slide the cover towards the top of the casing to free the hooks holding the upper edge of the front cover (**picture 5**).

Perform the connections according to the electrical wiring diagram (**picture 7**).

Screw the bottom part of the casing to the wall.

### Communication settings

The transmitter can communicate with a Modbus master unit. All parameters and variables are accessible as holding registers and R/W operations are implemented with function codes (FC=03, 06, 16). Select a suitable timeout between readings, in relation to the baud rate. A minimum timeout of one second is suitable for 19200 and 9600 baud. For other baud rates, increase the timeout value (2 s for 4800 baud). To modify the factory settings (listed under Technical data), see **page 2-4**.

The RS485-Modbus line has a principal bus to which the various devices are connected (max. 32 devices). Use twisted pair cables + 1 ground wire + shield. Use the twisted pair cable to connect A+ and B- and a single wire for GND, this must be connected to each device. Connect the shield to ground at a single point, preferably near the master. The cable must be of the Modbus RS485 data transmission type. The ends of the cable must be connected to a 120 Ω termination resistance. To fit the 120 Ω to the transmitter (JP3), see **picture 8**.

The maximum length of the bus depends on the baud rate and the cable itself. For a baud rate of 9600, the cable (AVG26 type) can be up to 1000 m. Any branch lines must not be over 20 m. If a multiport tap is used for n branches, each branch can be up to 40 m divided by n. To increase the number of devices on the line or increase the length of the cables, a signal repeater must be installed. Add a signal repeater for each group of 32 connected devices.

Note: The Modbus addresses listed below correspond to the number of the register. The physical address is the indicated value minus one.

| Address | Description               | Min. | Max.  | R/W |
|---------|---------------------------|------|-------|-----|
| 4001    | Temperature**             | 0°C  | 500°C | R   |
| 4025    | Temperature correction*** | -90  | 90    | R/W |

\*\* The displayed temperature value is multiplied by 10 (example: value read by transmitter = 21.3°C → value read by Modbus = 213).

\*\*\* The parameter is added to the sensor value.

If the sensor is broken, the temperature displayed corresponds to the values in the table below:

| Broken sensor | Modbus value | Corresponding value |
|---------------|--------------|---------------------|
| Temperature   | -20°C        | -2.0°C              |



This product carries the CE mark. For more information, see [www.regincontrols.com](http://www.regincontrols.com).

### Contact

AB Regin, Box 116, 428 22 Källered, Sweden  
Tel: +46 31 720 02 00, Fax: +46 31 720 02 50  
[www.regincontrols.com](http://www.regincontrols.com), [info@regin.se](mailto:info@regin.se)

11944E AUG 23



Läs denna instruktion innan produkten monteras och ansluts. Kan ändras utan föregående notis.

## Temperaturtransmittrar för Modbuskommunikation för väggmontage

Rumstransmittrar för mätning av temperatur i inomhusluft. -D-modellerna har inbyggd LCD-display som visar temperatur.

### Tekniska data

|                                    |  |
|------------------------------------|--|
| Utsignal                           | Modbus   |
| Matningsspänning (U <sub>v</sub> ) | 24 V AC ±10 % / 15...35 V DC                   |
| Strömförbrukning                   | < 1 W  |
| Transformatorkapacitet             | 2 VA   |
| Elektrisk anslutning               | Skruvplintar max. 1,5 mm <sup>2</sup> (AWG 16) |
| Omgivningstemperatur               | 0...50°C                                       |
| Omgivande luftfuktighet            | 10...90 % RH icke-kondenserande                |
| Lagringstemperatur                 | -25...+60°C                                    |
| Skyddsklass                        | IP30   |
| Dimensioner (BxHxD)                | 85 x 100 x 30,5 mm                             |

### Temperatur

|                      |          |
|----------------------|----------|
| Mätområde            | 0...50°C |
| Noggrannhet vid 20°C | ±0,2°C   |

### Kommunikation

|                      |               |
|----------------------|---------------|
| Typ                  | Modbus RTU    |
| Fabriksinställningar |               |
| Baudhastighet        | 19200 bitar/s |
| Paritet              | Jämn          |
| Enhetens adress      | 1             |

11944E AUG 23

### Installation

Transmittern ska monteras på en plats med god luftcirkulation där den kan förväntas ge representativa mätvärden. Den kan monteras antingen på väggdosa eller direkt på vägg.

Ta av locket genom att trycka in plasttungan i kåpens nedre gavel med en 3 mm bred mejsel (**bild 1**). Vrid mejseln och dra samtidigt locket lite utåt (**bild 2-4**). När lockets nedre gavel går fritt från botten, skjut locket i riktning mot den övre gaveln för att frigöra hakarna i lockets övre ände (**bild 5**).

Koppla in enheten enligt inkopplingsdiagrammet (**bild 7**).

Skruva fast enheten i väggen.

### Kommunikationsinställningar

Transmittern kan kommunicera med en Modbusmasterenhet. Alla parametrar och variabler är tillgängliga som holding register och vad som ska läsas/skrivas (R/W) definieras i funktionskoder (FC=03, 06, 16). Välj en lämplig timeout mellan läsningarna, i förhållande till baudhastigheten. En minimumtimeout på en sekund är lämplig för 19200 och 9600 baud. Öka timeoutvärdet för andra baudhastigheter (2 s för 4800 baud). För att justera fabriksinställningarna (som finns under Tekniska data), se **sida 2-4**.

RS485-Modbus-linjen har en huvudbuss till vilken de olika enheterna ansluts (max. 32 enheter). Använd partvinnade kablar + 1 jordledning + skärm. Använd den partvinnade kabeln för att ansluta A+ och B- och en enkel ledare för GND, denna måste anslutas till varje enhet. Anslut skärmen till jord vid ett ställe, helst nära mastern. Kabeln måste vara av dataöverföringstypen Modbus RS485. Kabelns ändrar måste anslutas till ett 120 Ω termineringsmotstånd. För att koppla 120 Ω till transmittern (JP3), se **bild 8**.

Bussens maximala längd är beroende av baudhastigheten och själva kabeln. För en baudhastighet på 9600 kan kabeln (AVG26-typ) vara upp till 1000 m. Eventuella avgreningsledningar får inte vara längre än 20 m. Om en multiport tap används för n avgreningar kan varje avgrening vara upp till 40 m delat med n. För att öka antalet enheter på ledningen eller öka kabellängden måste en signalrepeater installeras. Lägg till en signalrepeater för varje grupp av 32 anslutna enheter.

Obs: Modbusadresserna som visas nedan motsvarar registrets nummer. Den fysiska adressen är det indikerade värdet minus ett.

| Adress | Beskrivning            | Min. | Max.  | R/W |
|--------|------------------------|------|-------|-----|
| 4001   | Temperatur**           | 0°C  | 500°C | R   |
| 4025   | Temperaturjustering*** | -90  | 90    | R/W |

\*\* ) Temperaturvärdet som visas multipliceras med 10 (exempel: värde från transmittern = 21.3°C → värde från Modbus = 213).

\*\*\* ) Parametern adderas till givarvärdet.

Om givaren är trasig motsvarar temperaturen som visas värdena i tabellen nedan:

| Trasig givare | Modbusvärde | Motsvarande värde |
|---------------|-------------|-------------------|
| Temperatur    | -20°C       | -2.0°C            |



Den här produkten är CE-märkt.

För mer information, se [www.regincontrols.com](http://www.regincontrols.com).

### Teknisk support

Teknisk hjälp och råd på telefon: 031 720 02 30

### Kontakt

AB Regin, Box 116, 428 22 Källered

Tel: +46 31 720 02 00, Fax: +46 31 720 02 50

[www.regincontrols.com](http://www.regincontrols.com), [info@regin.se](mailto:info@regin.se)



Lesen Sie diese Anleitung vor der Installation und Verkabelung des Produkts. Änderungen vorbehalten.

## Temperaturtransmitter mit Modbus-Kommunikation zur Wandmontage

Raumtransmitter zur Messung der Temperatur in geschlossenen Räumen. -D-Modelle verfügen über ein integriertes LCD-Display, das die Temperatur anzeigt.

### Technische Daten

|                                       |   |
|---------------------------------------|---|
| Ausgangssignal                        | Modbus  |
| Versorgungsspannung (U <sub>V</sub> ) | 24 V AC ±10 % oder 15...35 V DC                   |
| Leistungsaufnahme                     | < 1 W   |
| Transformatorleistung                 | 2 VA  |
| Elektronischer Anschluss              | Schraubklemmen, max. 1,5 mm <sup>2</sup> (AWG 16) |
| Umgebungstemperatur                   | 0...50 °C   |
| Umgebungsfeuchte                      | 10...90 % RH, nicht kondensierend                 |
| Lagertemperatur                       | -25...+60 °C                                      |
| Schutzart                             | IP30  |
| Abmessungen (B x H x T)               | 85 x 100 x 30,5 mm                                |

### Temperatur

|                       |           |
|-----------------------|-----------|
| Arbeitsbereich        | 0...50 °C |
| Genauigkeit bei 20 °C | ± 0,2 °C  |

### Kommunikation

|                     |            |
|---------------------|------------|
| Typ                 | Modbus RTU |
| Werkseinstellungen: |            |
| Baudrate            | 19200 Baud |
| Parität             | Gerade     |
| Geräteadresse       | 1          |

### Installation

Der Transmitter sollte an einem Ort mit guter Luftzirkulation montiert werden, an dem repräsentative Messergebnisse erwartet werden können. Montieren Sie den Transmitter auf eine Wanddose oder direkt an die Wand.

Um die Frontabdeckung zu entfernen, drücken Sie mit einem 3-mm-Schlitzschraubendreher die Einrastnase im Gehäuseunterteil herunter (**Bild 1**). Drücken und drehen Sie den Schraubendreher, und ziehen Sie dabei gleichzeitig das Unterteil der Frontabdeckung nach außen (**Bild 2-4**). Wenn das Unterteil der Frontabdeckung vom Unterteil des Gehäuses gelöst wurde, muss die Abdeckung Richtung Gehäuseoberseite geschoben werden, um sie aus den oberen Befestigungshaken zu lösen (**Bild 5**).

Verbinden Sie die Anschlüsse entsprechend dem Schaltplan (**Bild 7**). Schrauben Sie das Gehäuseunterteil an die Wand (**Bild 6**).

### Kommunikationseinstellungen

Der Transmitter kann mit einem Modbus Master kommunizieren. Alle Parameter und Variablen sind als Holding-Register erreichbar. Lese/Schreibfunktion sind über Funktionscodes (FC=03, 06, 16) möglich. Wählen Sie eine angemessene Auszeit zwischen den Lesezyklen in Relation zu der Baudrate. Eine minimale Auszeit von einer Sekunde ist passend für 19200 und 9200 Baud. Erhöhen Sie die Baudrate bei anderen Baudraten (z. B. 2 s bei 4800 Baud). Zur Änderung der Werkseinstellung (aufgeführt unter Technischen Daten), **Seite 2-4**.

Der RS485-Modbus ist ein Kommunikationsbus, auf dem unterschiedlichste Geräte aufgeschaltet werden können (max. 32 Geräte). Verwenden Sie folgendes Kabel: Twisted Pair + 1 Schutzleiter + Abschirmung. Verwenden Sie Twisted-Pair-Kabel für die Verbindung A+ und B- und einen einzelnen Draht für GND, der an jedes Gerät angeschlossen werden muss. Verbinden Sie die Abschirmung mit der Erde (GND) an einem Punkt, vorzugsweise möglichst nahe am Master. Das Kabel sollte den Spezifikationen für Modbus RS485 entsprechen. Die Enden der Kabelleitung sollten mit einem 120 Ω Widerstand abgeschlossen werden. Für die Installation des 120 Ω Widerstandes, siehe **Bild 8**.

Die maximale Länge des Busses hängt von der Baudrate und dem Kabeltyp ab. Bei einer Baudrate von 9600 kann mit dem Kabel AV626 eine Länge von bis zu 1000 m erreicht werden. Jeder Abzweig sollte nicht länger als 20 m sein. Wird für „n“ Abzweige ein Multiport verwendet, dann kann jeder Abzweig maximal 40 m dividiert durch „n“ lang sein. Um die Anzahl der Geräte pro Buslinie oder die Länge des Kabels zu erhöhen, muss ein Repeater verwendet werden. Fügen Sie für jede Gruppe von 32 Geräten einen Repeater hinzu.

Hinweis: Die unten aufgeführten Modbus-Adressen entsprechen der Registernummer. Die physikalische Adresse ist der angezeigte Wert minus 1.

| Adresse | Beschreibung            | Min. | Max.   | L/S |
|---------|-------------------------|------|--------|-----|
| 4001    | Temperatur**            | 0 °C | 500 °C | L   |
| 4025    | Temperaturkorrektur *** | -90  | 90     | L/S |

\*\* Der angezeigte Wert für Temperatur und Feuchte ist mit 10 multipliziert (Beispiel: Der vom Transmitter gelesene Wert = 21,3 °C > Der Wert, der von Modbus gelesen wird = 213).

\*\*\* Der Parameter wird zum Fühlerwert addiert.

Falls der Sensor defekt ist, wird ein Temperaturwert gemäß der nachfolgenden Tabelle angezeigt:

| Defekter Sensor | Modbus-Wert | Entsprechender Wert |
|-----------------|-------------|---------------------|
| Temperatur      | -20 °C      | -2,0 °C             |



Dieses Produkt trägt das CE-Zeichen.

Weitere Informationen unter [www.regincontrols.com](http://www.regincontrols.com).

### Vertriebskontakt

DEOS AG, Birkenallee 76, 48432 Rheine, Deutschland  
Telefon: +49 5971 91133-0, Fax: +49 5971 91133-2999  
[www.deos-ag.com](http://www.deos-ag.com), [info@deos-ag.com](mailto:info@deos-ag.com)