



TM1-IT/D

Ice-thermostat

TM1-IT/D is intended for melting ice in roof gutters or other weather exposed constructions.

- Supply voltage 230 V AC
- Output 230 V AC, 16 A
- Protection against icicle build-up

TM1-IT/D is an electronic single stage ice-thermostat with adjustable switching points and deactivation delay, intended for DIN-rail mounting.

Application

The thermostat is usually set to activate heating when the outdoor temperature approaches the freezing point (a few degrees plus). Then, when the temperature drops below the freezing point and the risk of new icing decreases, the heat is turned off to conserve energy.

Sensor

The thermostat is to be connected to an outdoor sensor type TG-R600.

Switch-off delay

TM1-IT/D has a switch-off delay function settable between 10 sec...10 min.

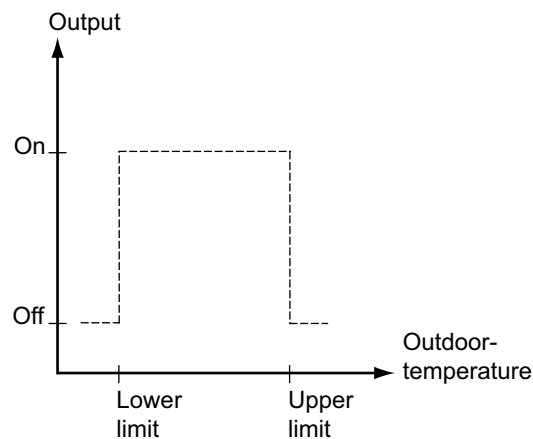
- Settable switch-off delay
- DIN-rail mounting
- For outdoor sensor, TG-R600

Function

The output is activated when outdoor temperature is between set limit values. See figure below. For more information about settings, see overleaf.

Use

The thermostat is intended for melting ice in for example roof gutters, outdoor stairs etc. using electric heating cables.



Technical data

Supply voltage
Protection class

230 V AC
IP30



This product conforms with the requirements of European EMC standards CENELEC EN 61000-6-1, EN 61000-6-3 and European LVD standards IEC 60 730-2-9 and carries the CE-mark.

Output

Relay output

230 V AC, 16 A, closing relay

Input

Sensor input

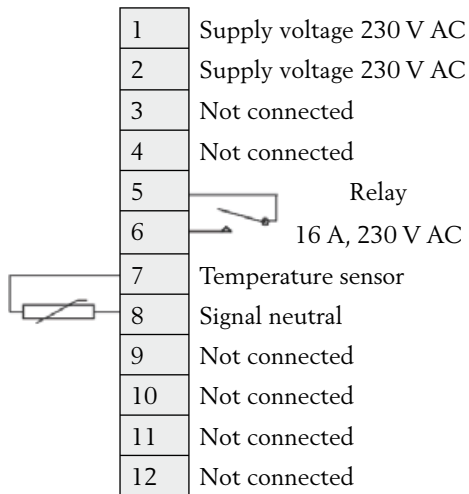
One, intended for sensor TG-R600 (NTC)

Settings

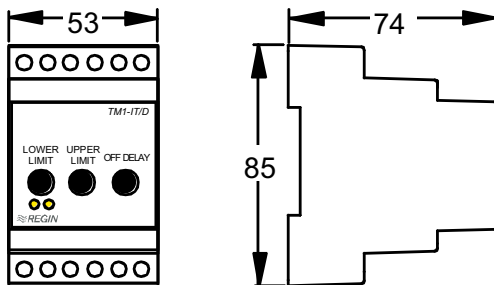
Upper switching temperature
Lower switching temperature
Deactivation delay time

0...+20°C
-20...0°C
10 sec...10 min

Wiring



Dimensions (mm)



Head Office Sweden
Phone: +46 31 720 02 00
Web: www.regin.se
Mail: info@regin.se

Sales Offices
France: +33 14 171 46 46
Hong Kong: +852 24 07 02 81
Singapore: +65 67 47 82 33
Germany: +49 30 77 99 40

REGIN

THE CHALLENGER IN BUILDING AUTOMATION