



# TIM480

## Timer with alternating relay

Timer with a selection of six connection times, up to 8 hours (480 minutes).

- Up to 8 hours connection time
- Designed for the ELJO system

TIM480 is a wall-mounted timer for flush-mounting which is activated when pressed. The connection time can be set to 15 min, 30 min, 1 h, 2 h, 4 h and 8 h via the rotary switch next to the timer relay output when the timer is switched off.

### Design

The timer has a modern ELJO design and also fits in a multi-compartment wallbox. It can be mounted in a standard 70 mm wallbox (cc 60 mm).

- Potential-free, alternating relay output
- 230 V AC supply voltage

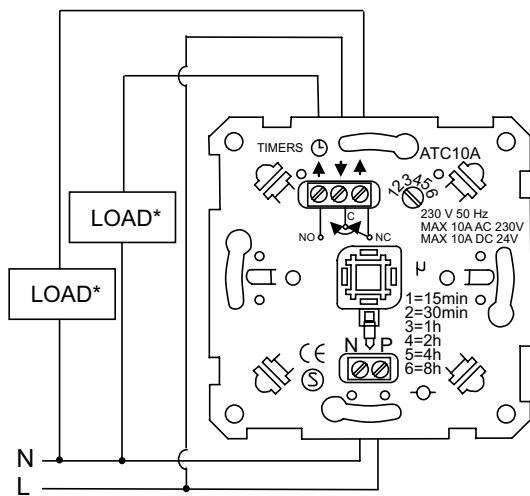
### Installation and function

When power is supplied to TIM480, the potential-free relay is closed between C (common) and NC (normally closed). The indicator lamp is off. When pressing the button once, the potential-free relay will alternate. The relay then closes between C (common) and NO (normally open). This output is closed during the set time, e.g. 15 min. The indicator lamp is on. After the set time has expired, the relay will alternate back and the lamp is extinguished. The relay always alternates when pressing the button, regardless of the position.

**Technical data**

Voltage range	230 V AC
Power	
Alternating voltage	Max. 2300 VA (resistive)
Fluorescent tube load	Max. 360 VA
Direct current voltage	See table 1
Connection	Potential-free relay output
Wires/terminal	Max. 2 x 2.5 mm <sup>2</sup>
Main fuse	Max. 10 A
Connection time	15 min, 30 min, 1 h, 2 h, 4 h, 8 h
Approvals	CE, S
Protection class	IP20
Installation	CEE60
Depth	25 mm

**Wiring of AC load**



\* Load is normally connected to either NO or NC

**Wiring of DC load**

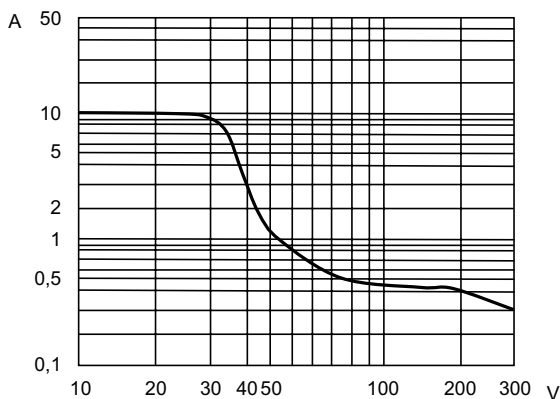
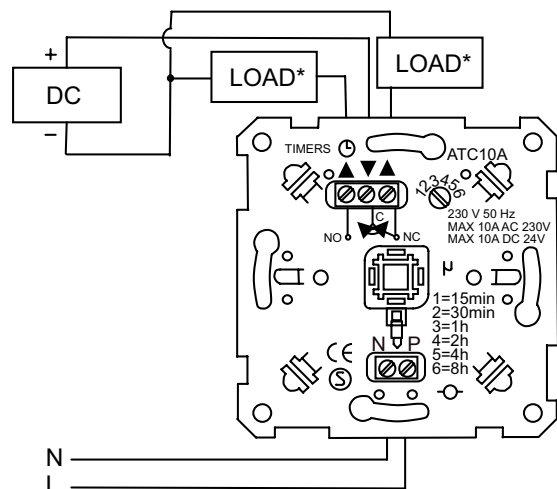


Table 1. Current ratings for DC load



**Head Office Sweden**  
 Phone: +46 31 720 02 00  
 Web: www.regin.se  
 Mail: info@regin.se

**Sales Offices**  
 France: +33 1 41 71 00 34  
 Germany: +49 30 77 99 40  
 Spain: +34 91 473 27 65  
 Hong Kong: +852 24 07 02 81  
 Singapore: +65 67 47 82 33