

TG-UH3/...

Outdoor sensor with housing



Outdoor sensor for air temperature measurement.

- ✓ Sealed housing with IP65
- ✓ Easy access to connection
- ✓ Replaceable cable gland
- ✓ Large mounting plate for easy, stable mounting

Application

The sensor measures the outdoor air temperature. It can be used for a wide range of applications since there are models with different sensor elements.

Function

The outdoor sensor is suitable for all environments.

Installation

A large contact surface on the mounting bracket makes the sensor easy to mount also on uneven surfaces.

The terminal block for connecting the analog input to a controller is located under the cover. The cover is easily removed from the base with a twist.

The sensor is designed so that the seal remains in the cover at all times and the cable gland is replaceable.

HEAD OFFICE SWEDEN

Phone: +46 31 720 02 00

Web: www.regincontrols.com

E-mail: info@regincontrols.com

TG-UH3/...

— | —

Technical data

Protection class	IP65
Measuring range, temperature	-50...+70 °C
Cable gland	M16
Dimensions, external (WxHxD)	78 x 51 x 104 mm
Weight (incl. packaging)	0.09 kg



This product carries the CE-mark. More information is available at www.regincontrols.com.

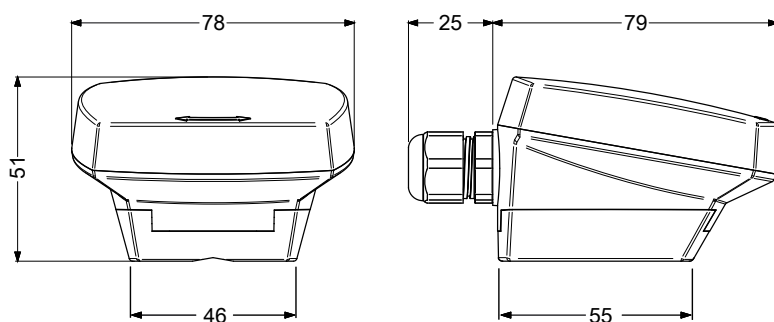
Material

Material, housing	Polycarbonate (PC)
Material, base	Polycarbonate (PC)

Models

Article	Sensor element	Nominal resistance	Equivalent
TG-UH3/PT100	PT100	100 Ω (0°C)	-
TG-UH3/PT1000	PT1000	1000 Ω (0°C)	-
TG-UH3/NTC1.8	NTC 1.8	1800 Ω (25°C)	TAC
TG-UH3/NTC2.2	NTC 2.2	2252 Ω (25°C)	Johnson Controls
TG-UH3/NTC10-01	NTC 10	10 kΩ (25 °C)	Aquatrol - Johnson Controls - Satchwell - Trend - Cylon - Honeywell - Distech
TG-UH3/NTC10-02	NTC 10	10 kΩ (25 °C)	Carel - Evco - Eliwell - AB Industrietechnik
TG-UH3/NTC10-03	NTC 10	10 kΩ (25 °C)	Andover - Delta Controls - Siebe - York
TG-UH3/NTC20	NTC 20	20 kΩ (25°C)	Honeywell
TG-UH3/Ni1000-01	Ni1000	1000 Ω (0 °C)	Siemens - Landis & Staefa
TG-UH3/NI1000-02	Ni1000	1000 Ω (0 °C)	Sauter

Dimensions



[mm]

Documentation

All documentation can be downloaded from www.regincontrols.com.