

TG-R6EW

Wireless outdoor temperature sensor with input for external PT1000 sensor



GO WIRELESS **READY STEADY GO**

This is a high quality outdoor temperature sensor within the Regin Go Wireless concept. The sensor is possible to use either with an external PT1000 sensor or the internal sensor. It is easy to install and has a discreet design.

- ✓ Signal strength indication
- ✓ Possibility to connect external PT1000 sensor
- ✓ Easy and quick installation
- ✓ High reliability and extensive communication range

Application

The sensor monitors the outdoor temperature and sends signals to a receiver to control for example fan speed. It can be used either with the internal sensor or an external PT1000 sensor.

Under the cover is a button for pairing the sensor with the receiver and for test purposes, and a LED light that indicates contact with the receiver, signal strength and battery status.

Before usage it must be paired with the receiver and two lithium batteries need to be installed.

Function

The temperature sensor is designed to work together with Regin's wireless receiver with Modbus communication, RCW-M32.

The temperature is measured at an adjustable time interval. If a measured value changes more than the specified limit it will send a signal to the receiver.

Installation

The white discreet sensor can be mounted on any flat surface. It is easy to install and move which makes it very flexible.

HEAD OFFICE SWEDEN

Phone: +46 31 720 02 00

Web: www.regincontrols.com

E-mail: info@regincontrols.com

TG-R6EW

— | —

Technical data

Power supply	CR123A 3V lithium battery x 2
Battery life	5 years
Frequency	868 MHz
Protection class	IP54
Measuring range, temperature	-40...+50 °C
Measuring range, temperature (PT1000)	-50...+75 °C
Accuracy, temperature	±0.2 K
Dimensions (WxHxD)	90 x 85 x 35 mm
Weight (incl. packaging)	0.15 kg



This product carries the CE-mark. More information is available at www.regincontrols.com.

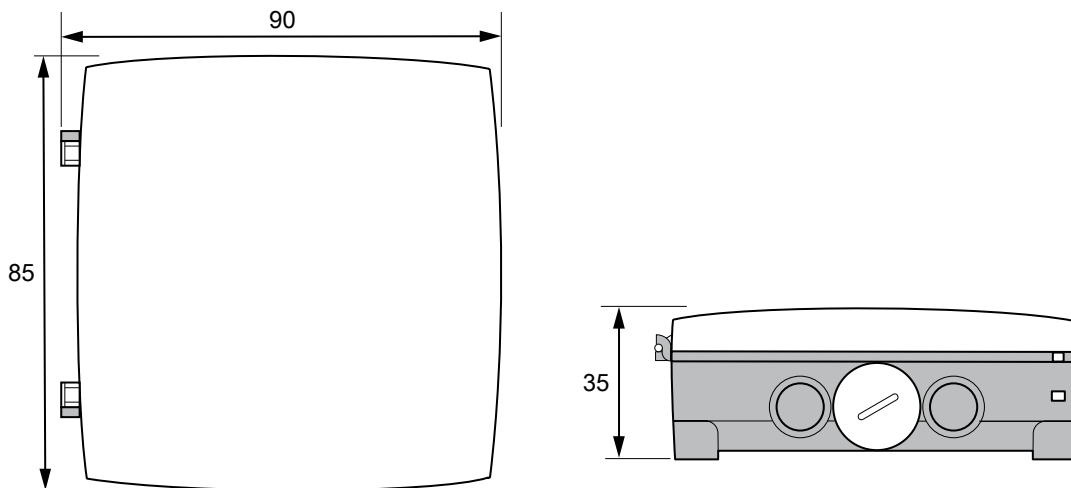
Material

Material, housing	Polycarbonate (PC)
Material, base	Polycarbonate (PC)

Accessories

Article	Description
RCW-M32	Wireless receiver with Modbus communication

Dimensions



[mm]

Documentation

All documentation can be downloaded from www.regincontrols.com.