

TG-MH3/...

Duct sensor with housing for average temperature measurement



Sensor with a 4-point average temperature measurement for duct mounting.

- ✓ Sealed housing with IP65
- ✓ Easy access to connection
- ✓ Replaceable cable gland

Application

The duct sensor measures the average air temperature in ventilation and air handling installations. It can be used for a wide range of applications.

Function

The duct sensor is suitable for all environments. Since the mounting bracket is made of a flexible material it closes tightly against the duct.

The average temperature is based on measurements from four sensor elements along the cable.

Installation

The duct sensor is easily mounted with clamps and is held in place inside the duct by springs.

The terminal block for connecting the analog input to a controller is located under the cover. The cover is easily removed from the base with a twist.

The sensor is designed so that the seal remains in the cover at all times and the cable gland is replaceable.

HEAD OFFICE SWEDEN

Phone: +46 31 720 02 00
 Web: www.regincontrols.com
 E-mail: info@regincontrols.com

TG-MH3/...

— 1 (3) —

Technical data

Protection class	IP65
Time constant	63 s at 2 m/s and 43 s at 5 m/s
Measuring range, temperature	-20...+70 °C
Sensor element class	DIN class B $\pm (0.3 + .005 T \text{ } ^\circ\text{C})$
Cable gland	M16
Diameter, probe	8 mm
Dimensions, external (WxHxD)	78 x 132 x 104 mm
Weight (incl. packaging)	0.25 kg
Insertion length	0...70 mm, adjustable
Sensor cable length	3 m



This product carries the CE-mark. More information is available at www.regincontrols.com.

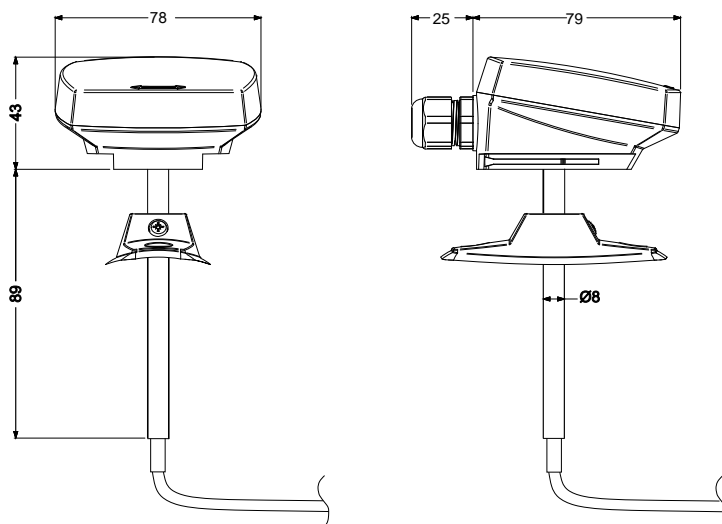
Material

Material, housing	Polycarbonate (PC)
Material, base	Polycarbonate (PC)
Material, probe	Stainless steel, SUS304

Models

Article	Sensor element	Nominal resistance	Equivalent
TG-MH3/PT1000	PT1000	1000 Ω (0°C)	-

Dimensions



[mm]

HEAD OFFICE SWEDEN

Phone: +46 31 720 02 00

Web: www.regincontrols.com

E-mail: info@regincontrols.com

TG-MH3/...

— 2 (3) —

REGIN
THE CHALLENGER

Documentation

All documentation can be downloaded from www.regincontrols.com.