

TG-DHW3/...

Immersion sensor with housing and well



Immersion sensor for temperature measurement in heating- or cooling applications. Supplied with a stainless steel well. Available in different lengths.

- ✓ Sealed housing with IP65
- ✓ Easy access to connection
- ✓ Replaceable cable gland

Application

The immersion sensor measures the temperature in water pipes. It can be used for a wide range of applications since there are models with different sensor elements and different insertion lengths.

Function

The immersion sensor is suitable for all environments.

Since the well is installed using a threaded connection it closes tightly against the pipe wall which makes it possible to exchange sensor without any water leakage.

Installation

The sensor is fastened easily to the well with the supplied screw.

The terminal block for connecting the analog input to a controller is located under the cover. The cover is easily removed from the base with a twist.

The sensor is designed so that the seal remains in the cover at all times and the cable gland is replaceable.

HEAD OFFICE SWEDEN

Phone: +46 31 720 02 00

Web: www.regincontrols.com

E-mail: info@regincontrols.com

TG-DHW3/...

— | —

Technical data

Protection class	IP65
Time constant	18 s
Measuring range, temperature	-20...+120 °C
Cable gland	M16
Connection, well	R1/2"
Diameter, well	8 mm
Pressure rating	PN25
Dimensions, external (WxHxD)	78 x 156 x 104 mm
Weight (incl. packaging)	0.20 kg



This product carries the CE-mark. More information is available at www.regincontrols.com.

Material

Material, housing	Polycarbonate (PC)
Material, base	Polycarbonate (PC)
Material, probe	Stainless steel, SUS304
Material, well	Stainless steel, SUS304

Models

Article	Sensor element	Nominal resistance	Equivalent
TG-DHW3/PT100	PT100	100 Ω (0°C)	-
TG-DHW3/PT1000	PT1000	1000 Ω (0°C)	-
TG-DHW3/NTC1.8	NTC 1.8	1800 Ω (25°C)	TAC
TG-DHW3/NTC2.2	NTC 2.2	2252 Ω (25°C)	Johnson Controls
TG-DHW3/NTC10-01	NTC 10	10 kΩ (25 °C)	Aquatrol - Johnson Controls - Satchwell - Trend - Cylon - Honeywell - Distech
TG-DHW3/NTC10-02	NTC 10	10 kΩ (25 °C)	Carel - Evco - Eliwell - AB Industrietechnik
TG-DHW3/NTC10-03	NTC 10	10 kΩ (25 °C)	Andover - Delta Controls - Siebe - York
TG-DHW3/NTC20	NTC 20	20 kΩ (25°C)	Honeywell
TG-DHW3/Ni1000-01	Ni1000	1000 Ω (0 °C)	Siemens - Landis & Staefa
TG-DHW3/NI1000-02	Ni1000	1000 Ω (0 °C)	Sauter

Article	Insertion length
TG-DHW3/PT1000-50	50 mm
TG-DHW3/...	90 mm
TG-DHW3/PT1000-120	120 mm
TG-DHW3/PT1000-170	170 mm
TG-DHW3/PT1000-310	310 mm

HEAD OFFICE SWEDEN

Phone: +46 31 720 02 00

Web: www.regincontrols.com

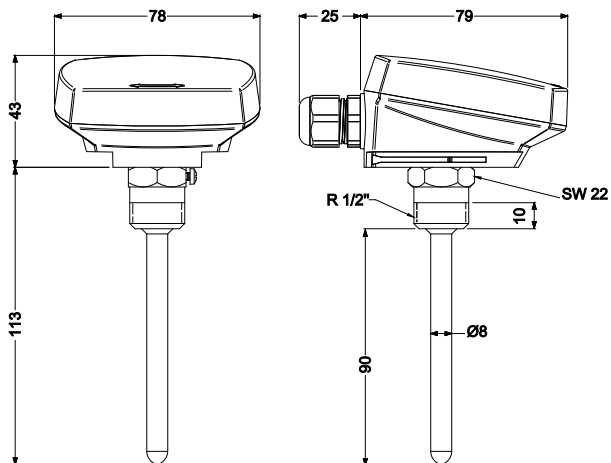
E-mail: info@regincontrols.com

TG-DHW3/...

Accessories

Article	Description	Insertion length	Material
TG-DHW3-CLIP	Clip for mounting a TG-DHW3 on a TG-DHW well	-	Stainless steel, SUS304
DR-50WA	Well for probe	50 mm	Acid-proof stainless steel, SUS316
DR-90WA	Well for probe	90 mm	Acid-proof stainless steel, SUS316
DR-120WA	Well for probe	120 mm	Acid-proof stainless steel, SUS316
DR-170WA	Well for probe	170 mm	Acid-proof stainless steel, SUS316
DR-310WA	Well for probe	310 mm	Acid-proof stainless steel, SUS316

Dimensions



[mm]

Documentation

All documentation can be downloaded from www.regincontrols.com.