



# TG-DH4/NTC10-01

## Immersion sensor with housing

Temperature sensor with NTC10 element for water temperature measurement.

- Anti-tear M16 cable gland
- Bayonett mounted cover
- R1/4" connection

- Probe in stainless steel
- Modern design and compact format
- Simple and quick installation

Tempero series immersion sensor with a modern design suiting all environments.

The sensor is compatible with Aquatrol, Johnson Controls, Satchwell, Trend, Cylon and Honeywell.

### Technical data

Temperature range	-20...+120°C
Compatible with	Aquatrol, Johnson Controls, Satchwell, Trend, Cylon, Honeywell
Sensor element	NTC 10k3A1, 10 kΩ/25°C
Time constant	4 s
Cable gland	M16
Insertion length	90 mm
Diameter, probe	5 mm
Connection	R1/4"
Pressure rating	PN16
Protection class	IP65

Temperature (°C)	Resistance (Ω)	Temperature (°C)	Resistance (Ω)
35	6530	120	388
30	8056	110	510
25	10000	100	678
20	12493	90	916
15	15714	80	1256
10	19903	70	1752
5	25395	65	2082
0	32651	60	2467
-5	42317	55	2985
-10	55304	50	3601
-15	72911	45	4367
-20	97006	40	5325

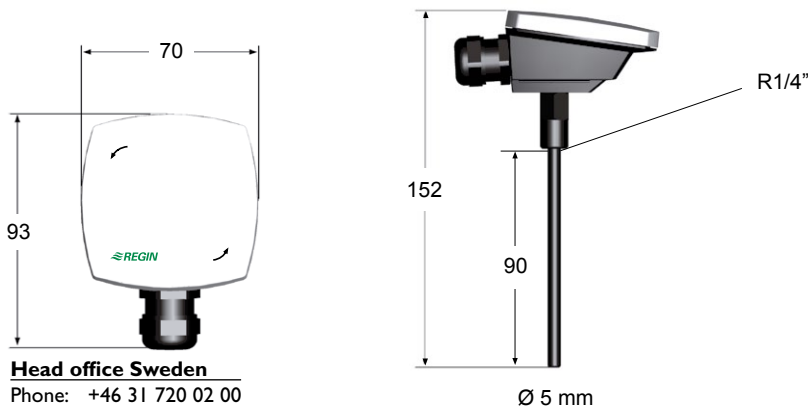
### Material

Housing	Polycarbonate
Probe	Stainless steel, SUS304

### Colour

Cover	Polar white RAL9010
Base	Dark grey RAL7043

### Dimensions (mm)



#### Head office Sweden

Phone: +46 31 720 02 00  
 Web: [www.regincontrols.com](http://www.regincontrols.com)  
 Mail: [info@regin.se](mailto:info@regin.se)

**REGIN**

THE CHALLENGER IN BUILDING AUTOMATION