



# TG-DH4/NI1000-01

## Immersion sensor with housing

Temperature sensor with Ni1000 element for water temperature measurement.

- Anti-tear M16 cable gland
- Bayonett mounted cover
- R1/4" connection

- Probe in stainless steel
- Modern design and compact format
- Simple and quick installation

Tempero series immersion sensor with a modern design suiting all environments.

The sensor is compatible with Siemens and Landis & Staefa.

### Technical data

Temperature range	-20...+120°C
Compatible with	Siemens, Landis & Staefa
Sensor element	Ni1000, 1000 Ω/0°C
Time constant	4 s
Cable gland	M16
Insertion length	90 mm
Diameter, probe	5 mm
Connection	R1/4"
Pressure rating	PN16
Protection class	IP65

### Material

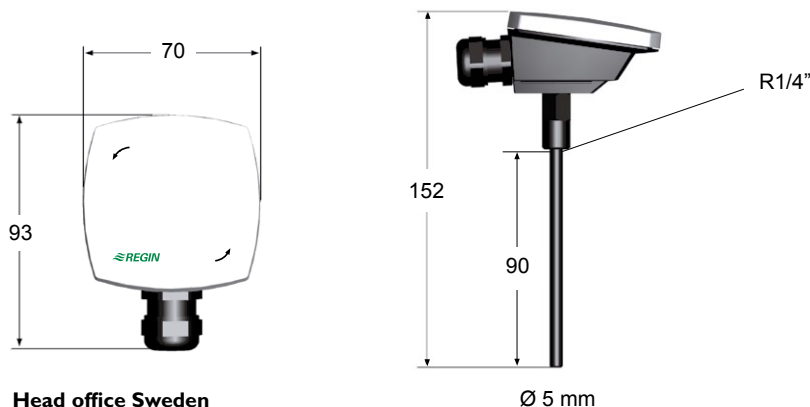
Housing	Polycarbonate
Probe	Stainless steel, SUS304

### Colour

Cover	Polar white RAL9010
Base	Dark grey RAL7043

Temperature (°C)	Resistance (Ω)	Temperature (°C)	Resistance (Ω)
35	1162	120	1615
30	1138	110	1557
25	1114	100	1500
20	1091	90	1444
15	1068	80	1390
10	1045	70	1337
5	1022	65	1311
0	1000	60	1285
-5	978	55	1260
-10	956	50	1235
-15	935	45	1210
-20	914	40	1186

### Dimensions (mm)



#### Head office Sweden

Phone: +46 31 720 02 00  
 Web: [www.regincontrols.com](http://www.regincontrols.com)  
 Mail: [info@regin.se](mailto:info@regin.se)

THE CHALLENGER IN BUILDING AUTOMATION