

TG-AH4

Clamp-on sensor with housing



Clamp-on sensor for surface temperature measurement.

- ✓ Easy access to connection
- ✓ Replaceable cable gland
- ✓ Easy to mount with the included metal strap

Application

The clamp-on sensor measures the media temperature in pipes. Several models with different sensor elements are available, making it possible to use these sensors together with different controller brands.

Function

The pipe media heats or cools the pipe wall and the clamp-on sensor tracks the temperature. It is suitable for all environments and provides very good temperature readings due to its large contact surface with the pipe.

Installation

The clamp-on sensor is easily fixed to the pipe with the included metal strap. It is designed to be used on pipes of various sizes.

The terminal block for connecting to the analog input of a controller is located under the cover. The cover is easily removed from the base with a twist.

The seal remains in the cover at all times and the cable gland is replaceable.

HEAD OFFICE SWEDEN

Phone: +46 31 720 02 00

Web: www.regincontrols.com

E-mail: info@regincontrols.com

TG-AH4

— | —

Technical data

| | |
|-------------------------------------|--|
| Protection class | IP42 |
| Time constant | 3 s |
| Measuring range, temperature | -20...+120 °C |
| Cable gland | M16 |
| Dimensions, external (WxHxD) | 104 x 78 x 51 mm |
| Accessories, included | One metal strap and heat-conductive paste (art.nr: PASTA-20) |
| Weight (incl. packaging) | 0.15 kg |



This product carries the CE-mark. More information is available at www.regincontrols.com.

Material

| | |
|--------------------------|--------------------|
| Material, housing | Polycarbonate (PC) |
| Material, base | Polycarbonate (PC) |

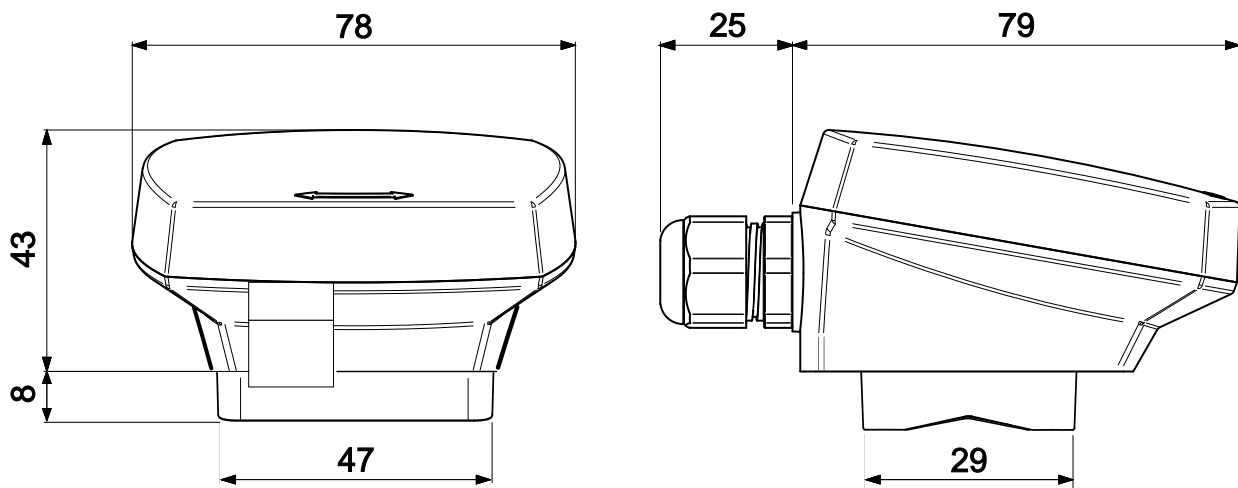
Models

| Article | Sensor element | Nominal resistance | Equivalent |
|------------------|----------------|--------------------|---|
| TG-AH4/PT100 | PT100 | 100 Ω (0°C) | - |
| TG-AH4/PT1000 | PT1000 | 1000 Ω (0°C) | - |
| TG-AH4/NTC10-01 | NTC 10 | 10 kΩ (25 °C) | Aquatrol - Johnson Controls - Satchwell - Trend - Cylon - Honeywell - Distech |
| TG-AH4/NTC20 | NTC 20 | 20 kΩ (25°C) | Honeywell |
| TG-AH4/Ni1000-01 | Ni1000 | 1000 Ω (0 °C) | Siemens - Landis & Staefa |

Accessories

| Article | Description |
|----------|-------------------------------------|
| PASTA-20 | Heat-conductive paste in tube, 20 g |

Dimensions



[mm]

Documentation

All documentation can be downloaded from www.regincontrols.com.