

# TG-AH3/...

Clamp-on sensor with housing



*Clamp-on sensor for surface temperature measurement.*

- ✓ Sealed housing with IP65
- ✓ Easy access to connection
- ✓ Replaceable cable gland
- ✓ Easy to mount with the included metal straps

## Application

The clamp-on sensor measures the media temperature in pipes. It can be used for a wide range of applications since there are models with different sensor elements.

Due to a new design, the seal remains in the cover at all times and the cable gland is replaceable.

## Function

The pipe media heats or cools the pipe wall and the clamp-on sensor tracks the temperature. It is suitable for all environments and provides very good temperature readings due to its large contact surface with the pipe.

## Installation

The clamp-on sensor is easily fixed to the pipe with the included accessories. It is designed to be used on pipes of various sizes.

The terminal block for connecting the analog input to a controller is located under the cover. The cover is easily removed from the base with a twist.

### HEAD OFFICE SWEDEN

Phone: +46 31 720 02 00

Web: [www.regincontrols.com](http://www.regincontrols.com)

E-mail: [info@regincontrols.com](mailto:info@regincontrols.com)

TG-AH3/...

— | —

## Technical data

<b>Protection class</b>	IP65
<b>Time constant</b>	3 s
<b>Measuring range, temperature</b>	-20...+120 °C
<b>Cable gland</b>	M16
<b>Dimensions, external (WxHxD)</b>	104 x 78 x 51 mm
<b>Accessories, included</b>	Two metal straps and heat-conductive paste (art.nr: PASTA-20)
<b>Weight (incl. packaging)</b>	0.14 kg



This product carries the CE-mark. More information is available at [www.regincontrols.com](http://www.regincontrols.com).

## Material

<b>Material, housing</b>	Polycarbonate (PC)
<b>Material, base</b>	Polycarbonate (PC)

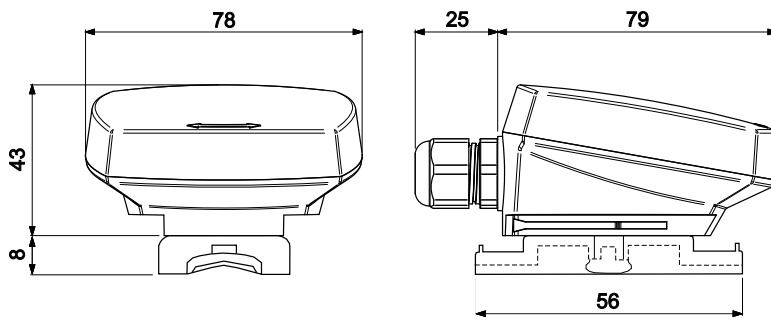
## Models

Article	Sensor element	Nominal resistance	Equivalent
TG-AH3/PT100	PT100	100 Ω (0°C)	-
TG-AH3/PT1000	PT1000	1000 Ω (0°C)	-
TG-AH3/NTC1.8	NTC 1.8	1800 Ω (25°C)	TAC
TG-AH3/NTC2.2	NTC 2.2	2252 Ω (25°C)	Johnson Controls
TG-AH3/NTC10-01	NTC 10	10 kΩ (25 °C)	Aquatrol - Johnson Controls - Satchwell - Trend - Cylon - Honeywell - Distech
TG-AH3/NTC10-02	NTC 10	10 kΩ (25 °C)	Carel - Evco - Eliwell - AB Industrietechnik
TG-AH3/NTC10-03	NTC 10	10 kΩ (25 °C)	Andover - Delta Controls - Siebe - York
TG-AH3/NTC20	NTC 20	20 kΩ (25°C)	Honeywell
TG-AH3/Ni1000-01	Ni1000	1000 Ω (0 °C)	Siemens - Landis & Staefa
TG-AH3/Ni1000-02	Ni1000	1000 Ω (0 °C)	Sauter

## Accessories

Article	Description
PASTA-20	Heat-conductive paste in tube, 20 g

## Dimensions



[mm]

## Documentation

All documentation can be downloaded from [www.regincontrols.com](http://www.regincontrols.com).