

STI

Immersion temperature sensor with housing and well



Immersion sensor for temperature measurement in heating- or cooling applications. Supplied with a stainless steel well, available in various lengths.

- Sealed housing with IP65
- Easy access to connection
- Replaceable cable gland

Application

The immersion sensor measures the temperature in water pipes. It can be used for a wide range of applications since there are models with different sensor elements and different insertion lengths.

The sensor is designed so that the seal remains in the cover at all times and the cable gland is replaceable.

Function

The immersion sensor is suitable for all environments.

Since the well is installed using a threaded connection it closes tightly against the pipe wall which makes it possible to exchange sensor without any water leakage.

Installation

The sensor is already provided with the well.

The user should mount the well onto the pipe at the desired temperature measurement location, then insert the sensor into the well and secure it in place using the locking screw.

The terminal block for connecting the analog input to a controller is located under the cover. The cover is easily removed from the base with a twist.

MAIN OFFICE BRESSANONE

I-39042 Bressanone (BZ) tel: +39 0472 830526
via Julius-Durst-Str. 50 fax: +39 0472 831840
VAT No. IT02748450216 www.industrietechnik.it

STI

1 (3)

Technical data

Protection class	IP65
Time constant	18 s
Measuring range, temperature	-20...+120 °C
Cable gland	M16
Connection, well	R1/2"
Diameter, well	8 mm
Pressure rating	PN25
Dimensions, external (WxHxD)	78 x 156 x 104 mm
Weight (incl. packaging)	0.20 kg



This product carries the CE-mark. More information is available at www.industrietechnik.it.

Material

Material, housing	Polycarbonate (PC)
Material, base	Polycarbonate (PC)
Material, probe	Stainless steel, AISI 304
Material, well	Stainless steel, AISI 304

Models

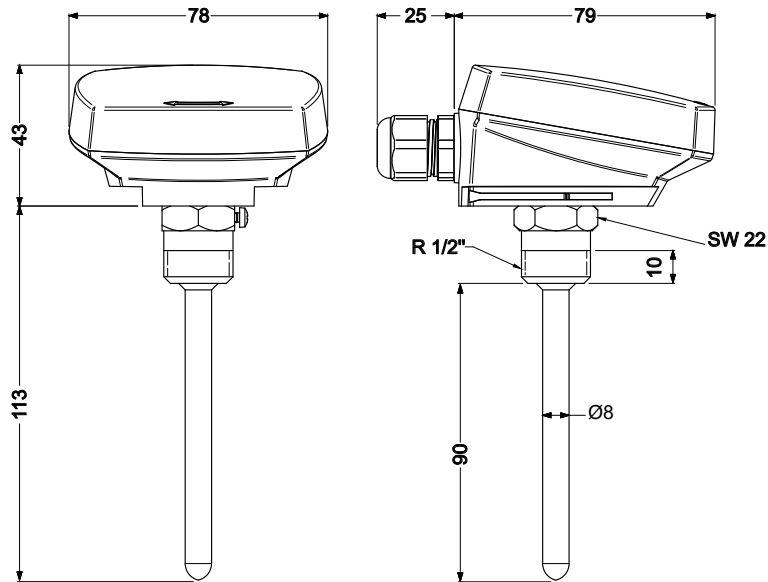
Article	Insertion length	Sensor element	Nominal resistance	Equivalent
STI-PT100-Y	90 mm	PT100 (DIN class B)	100 Ω (0°C)	-
STI-PT1000-50-Y ¹	50 mm	PT1000 (DIN class B)	1000 Ω (0°C)	-
STI-PT1000-Y	90 mm	PT1000 (DIN class B)	1000 Ω (0°C)	-
STI-PT1000-120-Y ¹	120 mm	PT1000 (DIN class B)	1000 Ω (0°C)	-
STI-PT1000-170-Y ¹	170 mm	PT1000 (DIN class B)	1000 Ω (0°C)	-
STI-PT1000-310-Y ¹	310 mm	PT1000 (DIN class B)	1000 Ω (0°C)	-
STI-NTC1.8-Y	90 mm	NTC 1.8	1800 Ω (25°C)	TAC
STI-NTC2.2-Y	90 mm	NTC 2.2	2252 Ω (25°C)	Johnson Controls
STI-NTC10-01-Y	90 mm	NTC 10	10 kΩ (25 °C)	Aquatrol - Johnson Controls - Satchwell - Trend - Cylon - Honeywell - Distech
STI-NTC10-02-Y	90 mm	NTC 10	10 kΩ (25 °C)	Carel - Evco - Eliwell - AB Industrietechnik
STI-NTC10-03-Y	90 mm	NTC 10	10 kΩ (25 °C)	Andover - Delta Controls - Siebe - York
STI-NTC20-Y	90 mm	NTC 20	20 kΩ (25°C)	Honeywell
STI-NI1000-01-Y	90 mm	Ni1000	1000 Ω (0 °C)	Siemens - Landis & Staefa
STI-NI1000-02-Y	90 mm	Ni1000	1000 Ω (0 °C)	Sauter

¹. Available upon request. Please contact sales representative.

Accessories

Article	Description	Insertion length	Material
DR-50S	Well for probe	50 mm	Stainless steel, EU1.4301(AISI 304)
DR-90S	Well for probe	90 mm	Stainless steel, EU1.4301(AISI 304)
DR-120S	Well for probe	120 mm	Stainless steel, EU1.4301(AISI 304)
DR-170S	Well for probe	170 mm	Stainless steel, EU1.4301(AISI 304)
DR-310S	Well for probe	310 mm	Stainless steel, EU1.4301(AISI 304)
DR-50WA	Well for probe	50 mm	Acid-proof stainless steel, EU1.4401(AISI 316)
DR-90WA	Well for probe	90 mm	Acid-proof stainless steel, EU1.4401(AISI 316)
DR-120WA	Well for probe	120 mm	Acid-proof stainless steel, EU1.4401(AISI 316)
DR-170WA	Well for probe	170 mm	Acid-proof stainless steel, EU1.4401(AISI 316)
DR-310WA	Well for probe	310 mm	Acid-proof stainless steel, EU1.4401(AISI 316)

Dimensions



[mm]

Documentation

All documentation can be downloaded from www.industrietechnik.it.