

SC

Clamp-on sensor with housing



Clamp-on sensor for surface temperature measurement.

- Sealed housing with IP65
- Easy access to connection
- Replaceable cable gland
- Easy to mount with the included metal straps

Application

The clamp-on sensor measures the media temperature in pipes. It can be used for a wide range of applications since there are models with different sensor elements.

Due to a new design, the seal remains in the cover at all times and the cable gland is replaceable.

Function

The pipe media heats or cools the pipe wall and the clamp-on sensor tracks the temperature. It is suitable for all environments and provides very good temperature readings due to its large contact surface with the pipe.

Installation

The clamp-on sensor is easily fixed to the pipe with the included accessories. It is designed to be used on pipes of various sizes.

The terminal block for connecting the analog input to a controller is located under the cover. The cover is easily removed from the base with a twist.

MAIN OFFICE BRESSANONE

I-39042 Bressanone (BZ) tel: +39 0472 830526
 via Julius-Durst-Str. 50 fax: +39 0472 831840
 VAT No. IT02748450216 www.industrietechnik.it

SC

1 (3)

Technical data

Protection class	IP65
Time constant	3 s
Measuring range, temperature	-20...+120 °C
Cable gland	M16
Dimensions, external (WxHxD)	104 x 78 x 51 mm
Accessories, included	Two metal straps and heat-conductive paste (art.nr: PASTA-20)
Weight (incl. packaging)	0.14 kg



This product carries the CE-mark. More information is available at www.industrietechnik.it.

Material

Material, housing	Polycarbonate (PC)
Material, base	Polycarbonate (PC)

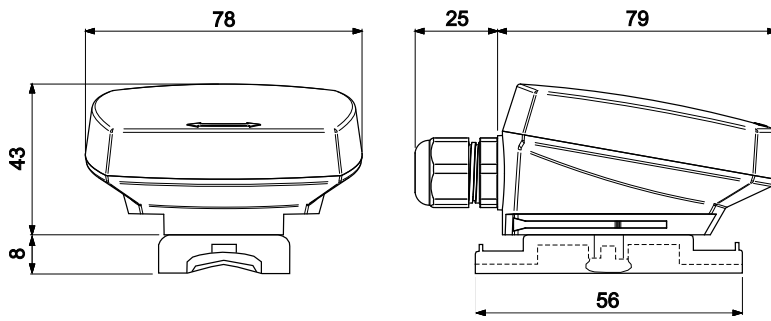
Models

Article	Sensor element	Nominal resistance	Equivalent
SC-PT100-Y	PT100	100 Ω (0°C)	-
SC-PT1000-Y	PT1000	1000 Ω (0°C)	-
SC-NTC1.8-Y	NTC 1.8	1800 Ω (25°C)	TAC
SC-NTC2.2-Y	NTC 2.2	2252 Ω (25°C)	Johnson Controls
SC-NTC10-01-Y	NTC 10	10 kΩ (25 °C)	Aquatrol - Johnson Controls - Satchwell - Trend - Cylon - Honeywell - Distech
SC-NTC10-02-Y	NTC 10	10 kΩ (25 °C)	Carel - Evco - Eliwell - AB Industrietechnik
SC-NTC10-03-Y	NTC 10	10 kΩ (25 °C)	Andover - Delta Controls - Siebe - York
SC-NTC20-Y	NTC 20	20 kΩ (25°C)	Honeywell
SC-Ni1000-01-Y	Ni1000	1000 Ω (0 °C)	Siemens - Landis & Staefa
SC-Ni1000-02-Y	Ni1000	1000 Ω (0 °C)	Sauter

Accessories

Article	Description
PASTA-20	Heat-conductive paste in tube, 20 g

Dimensions [mm]



Documentation

All documentation can be downloaded from www.industrietechnik.it.