



RVASM16...

Rotating valve actuator, 24 V AC/DC or 230 V AC

Valve actuators intended for control of Regin's pressure independent PCMTV32-50 range of valves.

RVASM16... are rotating actuators intended for use in HVAC applications together with the pressure independent PCMTV32-50.

The actuators are compact, easy to mount and have a clear position indication. They are available with either On/Off (2-position), 3-position or 0...10 V control signal.

Settable rotational direction

RVASM16... has two DIP-switches that can be used to set the actuator's rotational setting in a clockwise or counter-clockwise direction. These are placed under the cover and are easy to reach.

Easy to read position indicator

The cover of the actuator has a graded scale that makes it easy to see in which position the actuator is presently located.

Manual override

To manually set the valve position, first hold down the clutch button on the side of the actuator. This enables turning the lever attached to the position indication arrow to the desired valve position.

The actuator will return to its automatic function when the clutch button is released.

Short facts about RVASM16...

- Compact actuator for simple installation and maintenance
- On/Off (2-position), 3-position or 0...10 V control signal, depending on model
- Clear position indication
- Torque 16 Nm
- 230 V AC or 24 V AC/DC supply voltage
- DIP-switches for setting of rotational direction

Models

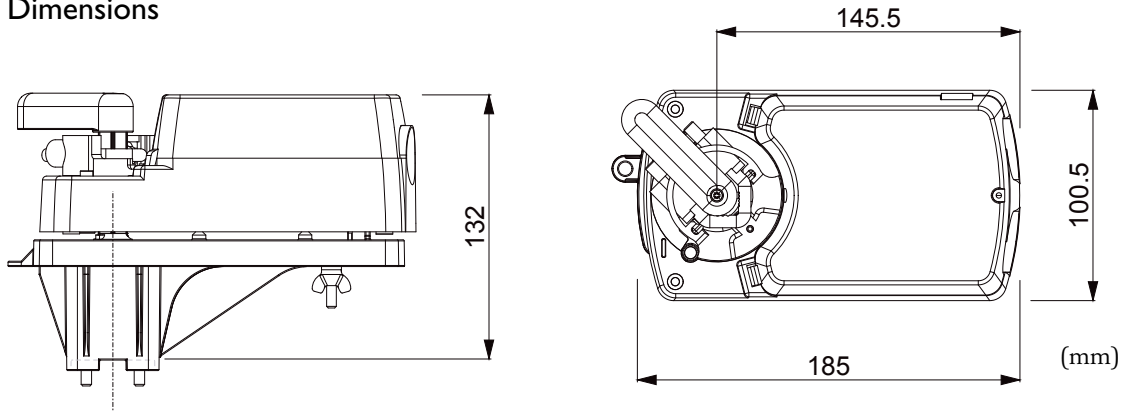
| Model | Supply voltage | Control signal |
|-------------|---|------------------------------------|
| RVASM16-24 | 24 V AC, 50/60 Hz alt. 24 V DC \pm 20 % | On/Off (2-position) and 3-position |
| RVASM16-24A | 24 V AC, 50/60 Hz alt. 24 V DC \pm 20 % | 0...10 V |
| RVASM16-230 | 230 V AC, 50/60 Hz | On/Off (2-position) and 3-position |

Technical data

| | |
|------------------------|--------------------------------------|
| Power consumption | 3.9 W (0.4 W/6.5 VA in standby mode) |
| Max. stroke (rotation) | 0...90° |
| Stroke time | 80 s/90° |
| Torque | 16 Nm |
| Angle limitation | 5...85° (in increments of 5°) |
| Ambient temperature | -20...+50°C |
| Max. media temperature | 120°C |
| Storage temperature | -40...+70°C |
| Ambient humidity | 5...95 % RH |
| Protection class | IP54 |

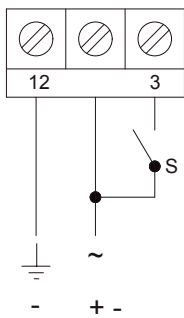
RoHS: This product conforms to the Directive 2011/65/EU of the European Parliament and of the Council.

Dimensions

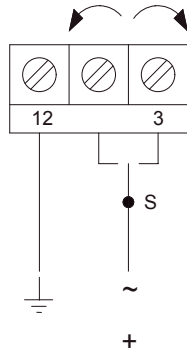


Wiring

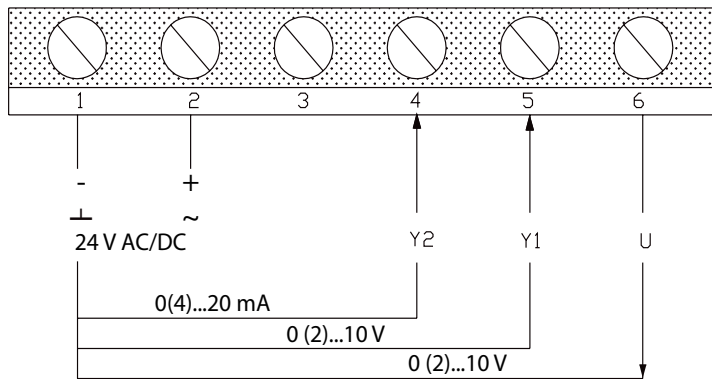
2-position (On/Off)



3-position



0...10V



Product documentation

| Document | Type |
|--------------------------|---|
| Product sheet PCMTV32-50 | Information about pressure independent valves intended for use together with RVASM16... |
| Instruction PCMTV32-50 | |
| Instruction RVASM16... | Instruction for RVASM16... |

The documents can be downloaded from www.regincontrols.com

Head office Sweden

Phone: +46 31 720 02 00

Web: www.regincontrols.com

Mail: info@regin.se

REGIN

THE CHALLENGER IN BUILDING AUTOMATION